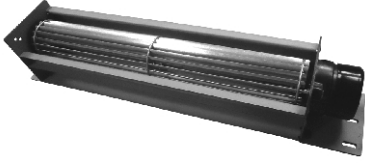
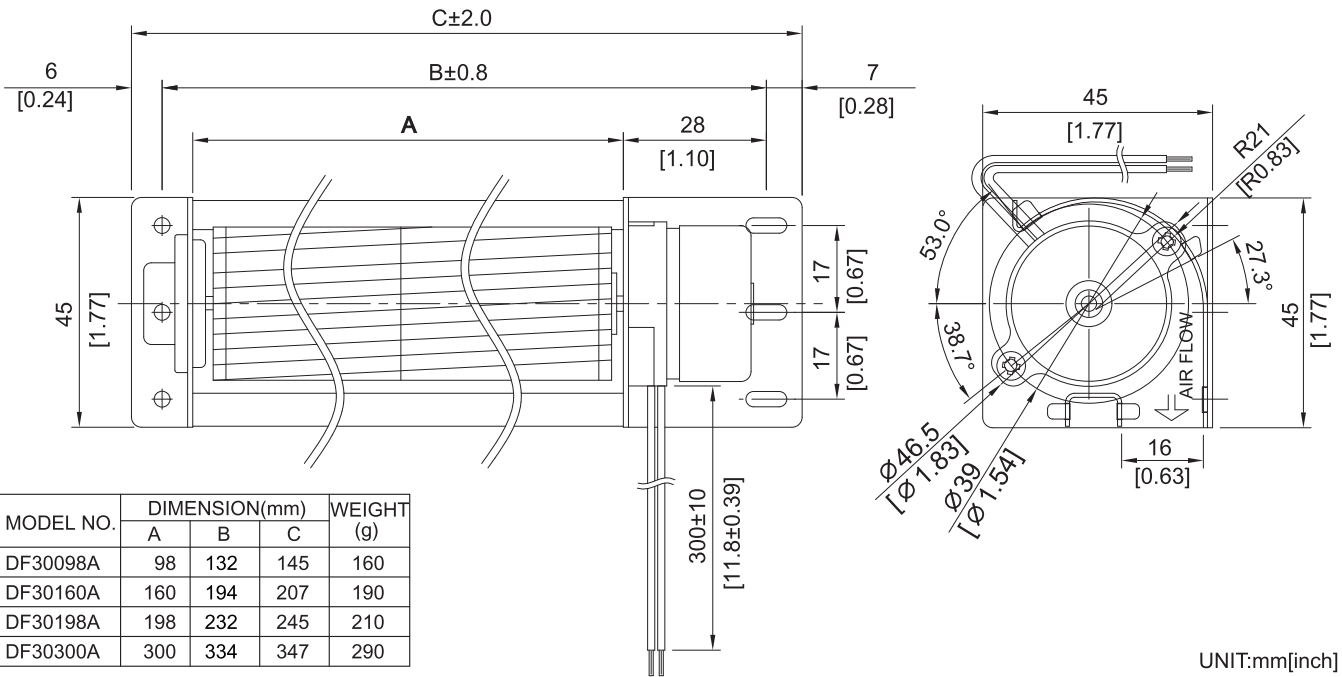


# DF 30A



HOUSING	Metal / Aluminum
IMPELLER	Aluminum, Ø30 mm
BEARING	Ball
OPERATING TEMPERATURE	0°C to + 45°C
INSULATION RESISTANCE	10M Ohms Min. @500 VDC
DIELECTRIC STRENGTH	5mA Max.at 500VAC for 1 minute
ROHS COMPLIANCE	Yes
MOTOR TYPE	DC Brushless Motor

## DIMENSION



MODEL NO.	DIMENSION(mm)			WEIGHT (g)
	A	B	C	
DF30098A	98	132	145	160
DF30160A	160	194	207	190
DF30198A	198	232	245	210
DF30300A	300	334	347	290

UNIT:mm[inch]

## SPECIFICATION

MODEL NO.	RATED VOLTAGE (V)	RATED CURRENT (A)	INPUT POWER (W)	SPEED (RPM)	MAX. AIR PRESSURE		MAX. AIR FLOW		NOISE dB(A)@ 1M
					inchH <sub>2</sub> O	mmH <sub>2</sub> O	CFM	m <sup>3</sup> /min	
DF30098V12HA	12	0.15	1.80	3200	0.07	1.9	21	0.6	29
DF30198V24HA	24	0.15	3.60	3200	0.07	1.9	21	0.6	29
DF30160V12HA	12	0.18	2.16	3100	0.07	1.7	28	0.8	30
DF30160V24HA	24	0.16	3.84	3100	0.07	1.7	28	0.8	30
DF30198V12HA	12	0.20	2.40	2900	0.06	1.6	35	1.0	31
DF30198V24HA	24	0.16	3.84	2900	0.06	1.6	35	1.0	31
DF30300V12HA	12	0.22	2.64	2600	0.06	1.5	49	1.3	33
DF30300V24HA	24	0.20	4.80	2600	0.06	1.5	49	1.3	33

## AIR PERFORMANCE

