

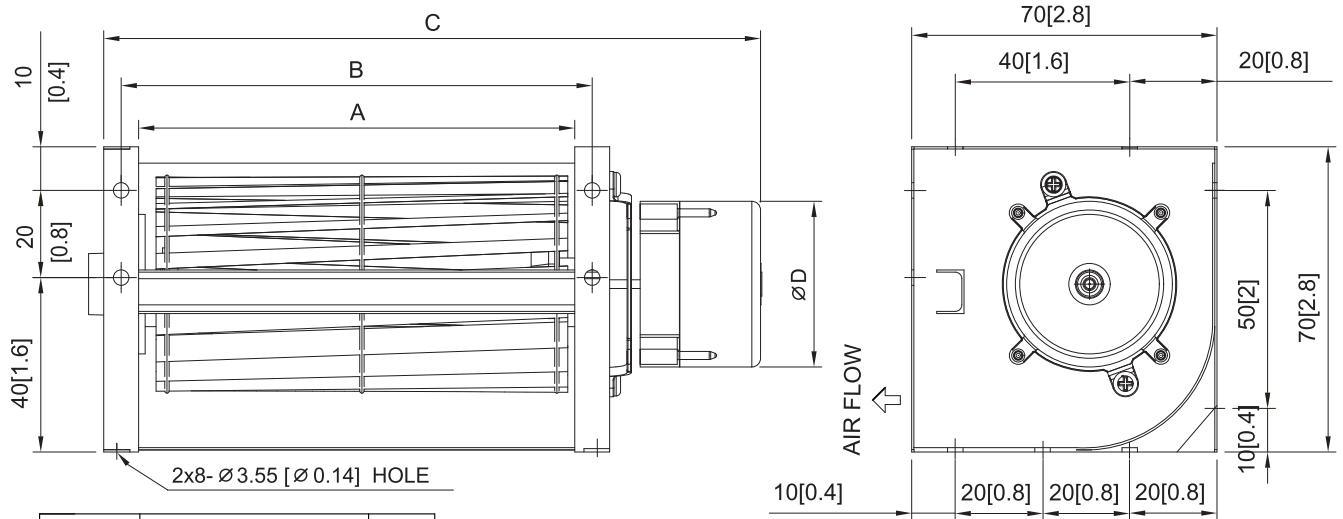
DF 50



HOUSING
IMPELLER
BEARING
OPERATING TEMPERATURE
INSULATION RESISTANCE
DIELECTRIC STRENGTH
ROHS COMPLIANCE
MOTOR TYPE

Metal / Aluminum
Aluminum, $\varnothing 50$ mm
Ball
0°C to + 45°C
10M Ohms Min. @500 VDC
5mA Max.at 500VAC for 1 minute
Yes
DC Brushless Motor

DIMENSION



MODEL NO.	DIMENSION(mm)				WEIGHT (g)
	A	B	C	D	
DF50098	98	108	155	38	330
DF50198	198	208	255	50	600
HDF50198	198	208	255	38	450
MDF50298	298	308	360	50	700
DF50358	358	368	420	50	770

UNIT:mm[inch]

SPECIFICATION

MODEL NO.	RATED VOLTAGE (V)	RATED CURRENT (A)	INPUT POWER (W)	SPEED (RPM)	MAX. AIR PRESSURE		MAX. AIR FLOW		NOISE dB(A)@ 1M
					inchH ₂ O	mmH ₂ O	CFM	m ³ /min	
DF50098V12H	12	0.30	3.60	2800	0.13	3.3	32	0.91	36
DF50098V24H	24	0.18	4.32	2800	0.13	3.3	32	0.91	36
DF50198V12H	12	0.60	7.20	2500	0.17	4.3	88	0.09	46
DF50198V24H	24	0.47	5.64	2000	0.10	2.6	63	1.78	34
DF50198V12M	12	0.40	9.60	2500	0.17	4.3	88	0.09	46
DF50198V24M	24	0.24	5.76	2000	0.10	2.6	63	1.78	34
DF50298V12H	12	0.65	7.80	2400	0.16	4.0	124	3.51	43
DF50298V24H	24	0.40	9.60	2400	0.16	4.0	124	3.51	43
DF50358V12H	12	0.75	9.00	2300	0.14	3.6	131	3.70	42
DF50358V24H	24	0.45	10.80	2300	0.14	3.6	131	3.70	42

AIR PERFORMANCE

