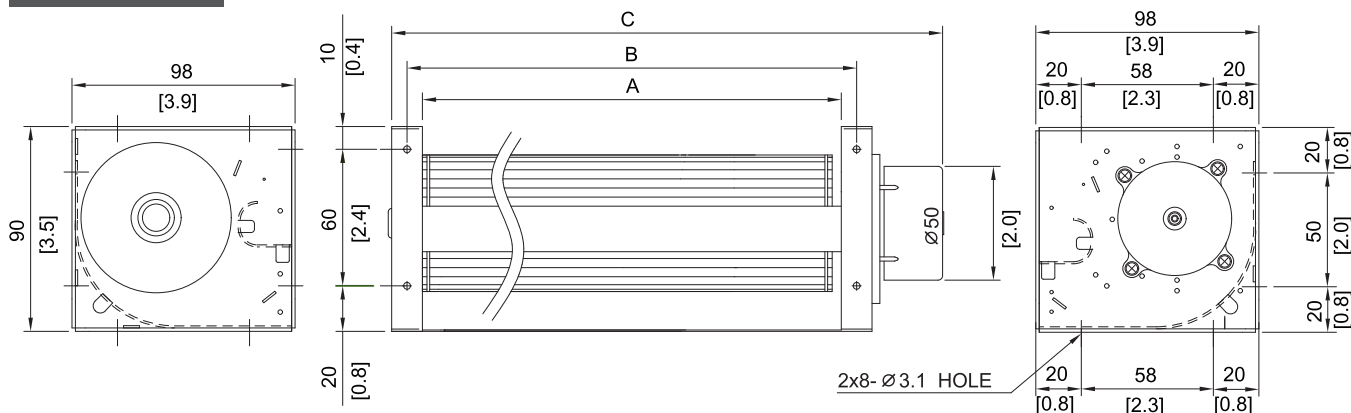


DF 60



HOUSING Metal / Aluminum
IMPELLER Aluminum, Ø60 mm
BEARING Ball
OPERATING TEMPERATURE 0°C to + 45°C
INSULATION RESISTANCE 10M Ohms Min. @500 VDC
DIELECTRIC STRENGTH 5mA Max. at 500VAC for 1 minute
ROHS COMPLIANCE Yes
MOTOR TYPE DC Brushless Motor

DIMENSION



MODEL NO.	DIMENSION(mm)			WEIGHT (g)
	A	B	C	
DF60123	123	138	183	620
DF60184	184	199	244	700
DF60245	245	260	305	770
DF60306	306	321	366	840
DF60368	368	383	428	930
DF60429	429	444	489	1000

UNIT:mm[inch]

SPECIFICATION

MODEL NO.	RATED VOLTAGE (V)	RATED CURRENT (A)	INPUT POWER (W)	SPEED (RPM)	MAX. AIR PRESSURE		MAX. AIR FLOW		NOISE dB(A)@ 1M
					inchH ₂ O	mmH ₂ O	CFM	m ³ /min	
DF60123V12H	12	0.60	7.2	2500	0.20	5.1	60	1.7	46
DF60123V24H	24	0.40	9.6	2500	0.20	5.1	60	1.7	46
DF60184V12H	12	0.80	9.6	2200	0.15	3.8	88	2.5	44
DF60184V24H	24	0.45	10.8	2200	0.15	3.8	88	2.5	44
DF60245V12H	12	1.00	12.0	2000	0.13	3.3	117	3.2	42
DF60245V24H	24	0.55	13.2	2000	0.13	3.3	117	3.2	42
DF60306V12H	12	0.50	6.00	1600	0.07	1.8	113	3.3	38
DF60306V24H	24	0.25	6.00	1600	0.07	1.8	113	3.3	38
DF60368V12H	12	0.55	6.60	1500	0.07	1.7	131	3.7	36
DF60368V24H	24	0.25	6.00	1500	0.07	1.7	131	3.7	36
DF60429V12H	12	0.60	7.20	1400	0.07	1.7	156	4.4	38
DF60429V24H	24	0.30	7.20	1400	0.07	1.7	156	4.4	38

AIR PERFORMANCE

