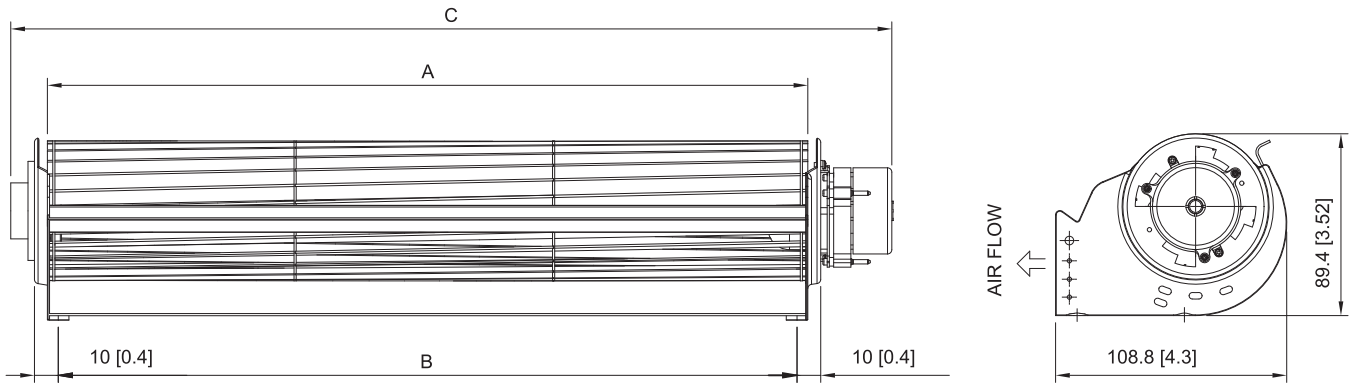


# DFG 65



**HOUSING** Metal / Aluminum  
**IMPELLER** Aluminum, Ø65 mm  
**BEARING** Ball  
**OPERATING TEMPERATURE** 0°C to + 45°C  
**INSULATION RESISTANCE** 10M Ohms Min. @500 VDC  
**DIELECTRIC STRENGTH** 5mA Max.at 500VAC for 1 minute  
**ROHS COMPLIANCE** Yes  
**MOTOR TYPE** DC Brushless Motor

## DIMENSION



MODEL NO.	DIMENSION(mm)			WEIGHT (g)
	A	B	C	
DFG65120	120	112	185	560
DFG65180	180	172	245	650
DFG65240	240	232	305	740
DFG65300	300	292	365	830
DFG65360	360	352	425	920
DFG65420	420	412	485	1000

UNIT:mm[inch]

## SPECIFICATION

MODEL NO.	RATED VOLTAGE(V)	RATED CURRENT(A)	INPUT POWER (W)	SPEED (RPM)	MAX. AIR PRESSURE		MAX. AIR FLOW		NOISE dB(A)@ 1M
					inchH <sub>2</sub> O	mmH <sub>2</sub> O	CFM	m <sup>3</sup> /min	
DFG65120V12H	12	0.80	9.6	2200	0.32	8.2	81	2.3	48
DFG65120V24H	24	0.45	10.8	2200	0.32	8.2	81	2.3	48
DFG65180V12H	12	0.55	6.6	1500	0.15	3.8	95	2.7	38
DFG65180V24H	24	0.25	6.0	1500	0.15	3.8	95	2.7	38
DFG65240V12H	12	0.70	8.4	1400	0.14	3.5	124	3.5	40
DFG65240V24H	24	0.30	7.2	1400	0.14	3.5	124	3.5	40
DFG65300V12H	12	0.75	9.0	1300	0.12	3.1	145	4.1	40
DFG65300V24H	24	0.35	8.4	1300	0.12	3.1	145	4.1	40
DFG65360V12H	12	0.80	9.6	1200	0.11	2.9	166	4.7	40
DFG65360V24H	24	0.40	9.6	1200	0.11	2.9	166	4.7	40
DFG65420V12H	12	0.85	10.2	1100	0.11	2.7	191	5.4	41
DFG65420V24H	24	0.40	9.6	1100	0.11	2.7	191	5.4	41

## AIR PERFORMANCE

