

# D12025-K

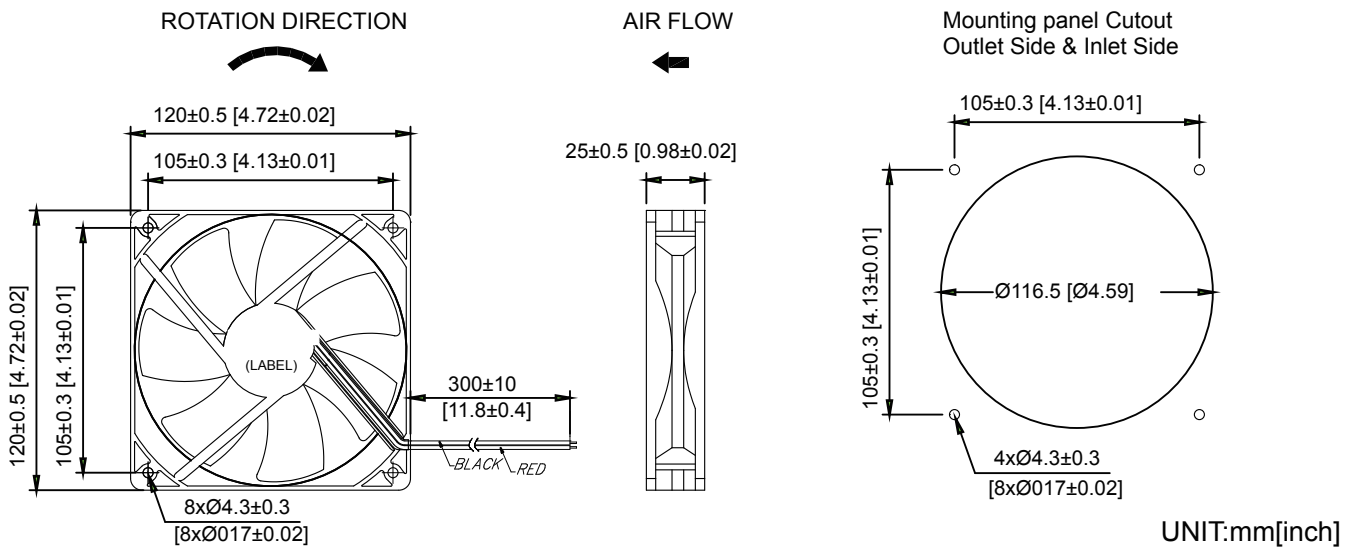


120x120x25mm  
(4.72"x4.72"x1.26")



HOUSING	Thermoplastic PBT, UL94V-0
IMPELLER	Thermoplastic PBT, UL94V-0
BEARING	Ball or Sleeve
OPERATING TEMPERATURE	-10°C to +60°C
INSULATION RESISTANCE	10M Ohms Min. @500 VDC
DIELECTRIC STRENGTH	5mA Max. at 500VAC 60Hz for 1 minute
WEIGHT	165g
ROHS COMPLIANCE	Yes

## DIMENSION



## SPECIFICATION

MODEL NO.	RATED VOLTAGE (V)	RATED CURRENT (A)	INPUT POWER (W)	SPEED (RPM)	MAX. AIR PRESSURE		MAX. AIR FLOW		NOISE dB(A) @1M
					inchH <sub>2</sub> O	mmH <sub>2</sub> O	CFM	m <sup>3</sup> /min	
D12025V12SL-K	12	0.45	5.40	3100	0.29	7.40	119.4	3.88	40
D12025V12H-K	12	0.25	3.00	2500	0.22	5.30	90.0	2.60	36
D12025V12M-K	12	0.21	2.52	2200	0.18	4.60	80.6	2.28	31
D12025V12L-K	12	0.19	2.28	1900	0.14	3.40	69.6	1.97	29
D12025V12XL-K	12	0.08	0.96	1200	0.08	2.10	40.6	1.15	19
D12025V24SL-K	24	0.31	7.44	3100	0.29	7.40	119.4	3.38	40
D12025V24H-K	24	0.13	3.12	2500	0.22	5.30	90.0	2.60	36
D12025V24M-K	24	0.12	2.88	2200	0.18	4.60	80.6	2.28	31
D12025V24L-K	24	0.15	3.60	1900	0.14	3.40	69.6	1.97	29
D12025V24XL-K	24	0.05	1.20	1200	0.08	2.10	40.6	1.15	19

## AIR PERFORMANCE

