

D12025

120x120x25mm
(4.72"x4.72"x1.26")



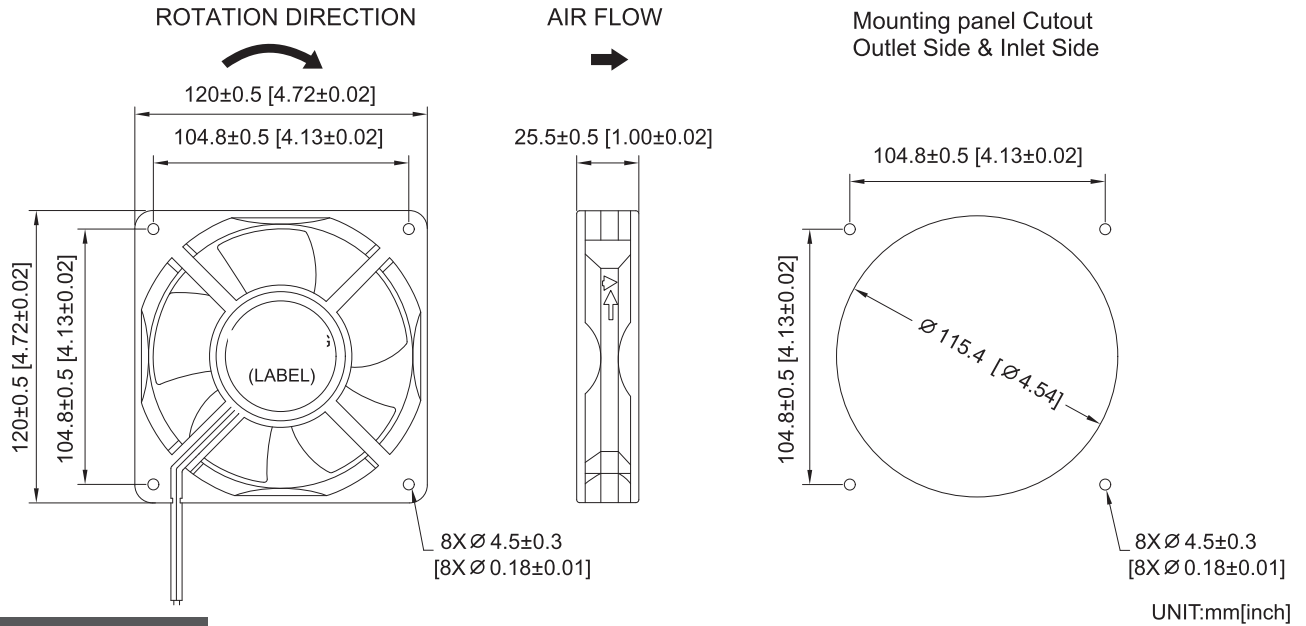
HOUSING	Thermoplastic PBT, UL94V-0
IMPELLER	Thermoplastic PBT, UL94V-0
BEARING	Ball or Sleeve
OPERATING TEMPERATURE	-10°C to + 60°C
INSULATION RESISTANCE	10M Ohms Min. @500 VDC
DIELECTRIC STRENGTH	5 mA Max. at 500 VAC 60Hz for 1 minute
WEIGHT	150g
ROHS COMPLIANCE	Yes

120mm

120mm

DC Fans & Blowers

DIMENSION



SPECIFICATION

MODEL NO.	RATED VOLTAGE (V)	RATED CURRENT (A)	INPUT POWER (W)	SPEED (RPM)	MAX. AIR PRESSURE		MAX. AIR FLOW		NOISE dB(A) @1M
					inchH ₂ O	mmH ₂ O	CFM	m ³ /min	
D12025V12H	12	0.38	4.56	3000	0.19	4.80	88.30	2.50	48
D12025V12M	12	0.25	3.00	2500	0.15	3.80	74.50	2.11	44
D12025V12L	12	0.14	1.68	2000	0.11	2.90	61.40	1.74	38
D12025V24H	24	0.24	5.76	3000	0.19	4.80	88.30	2.50	48
D12025V24M	24	0.18	4.32	2500	0.15	3.80	74.50	2.11	44
D12025V24L	24	0.10	2.40	2000	0.11	2.90	61.40	1.74	38

AIR PERFORMANCE

