

D12025D-A

120x120x20mm
(4.72"x4.72"x0.78")



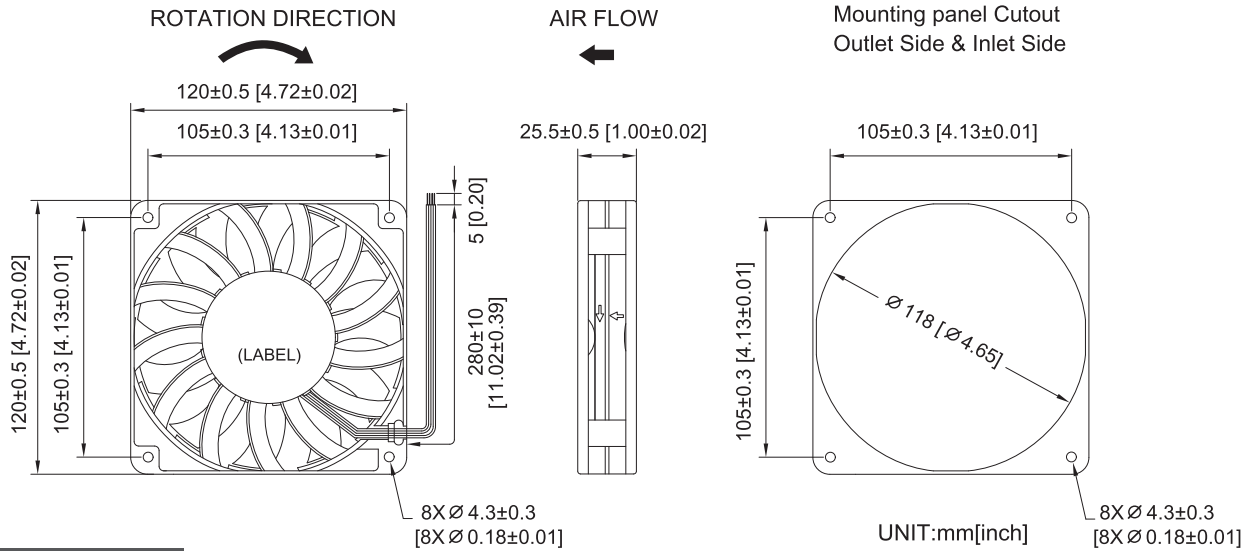
HOUSING Thermoplastic PBT, UL94V-0
 IMPELLER Thermoplastic PBT, UL94V-0
 BEARING Ball
 OPERATING TEMPERATURE -10°C to +60°C
 INSULATION RESISTANCE 10M Ohms Min.@500 VDC
 DIELECTRIC STRENGTH 1 mA Max. at 500 VAC 60Hz for 1 minute
 WEIGHT 220g
 ROHS COMPLIANCE Yes

120 mm

120mm

DC Fans & Blowers

DIMENSION



SPECIFICATION

MODEL NO.	RATED VOLTAGE (V)	RATED CURRENT (A)	INPUT POWER (W)	SPEED (RPM)	MAX. AIR PRESSURE		MAX. AIR FLOW		NOISE dB(A) @1M
					inchH ₂ O	mmH ₂ O	CFM	m ³ /min	
D12025V12SHBD-A	12	1.42	17.04	4000	0.421	11.7	175.8	4.98	58.6
D12025V12HBD-A	12	1.06	12.72	3700	0.443	11.3	161.7	4.58	57.8
D12025V12MBD-A	12	0.84	10.08	3400	0.379	9.6	148.3	4.20	54.7
D12025V12LBD-A	12	0.66	7.92	2900	0.277	7.0	125.8	3.56	51.0
D12025V24SHBD-A	24	0.71	17.04	4000	0.421	11.7	175.8	4.98	58.6
D12025V24HBD-A	24	0.55	13.20	3700	0.443	11.3	161.7	4.58	57.8
D12025V24MBD-A	24	0.43	10.32	3400	0.379	9.6	148.3	4.20	54.7
D12025V24LBD-A	24	0.28	6.72	2900	0.277	7.0	125.8	3.56	51.0
D12025V48SHBD-A	48	0.37	17.76	4000	0.421	11.7	175.8	4.98	58.6
D12025V48HBD-A	48	0.30	14.40	3700	0.443	11.3	161.7	4.58	57.8
D12025V48MBD-A	48	0.23	11.04	3400	0.379	9.6	148.3	4.20	54.7
D12025V48LBD-A	48	0.17	8.16	2900	0.277	7.0	125.8	3.56	51.0

AIR PERFORMANCE

