

D12032-A

120x120x32mm
(4.72"x4.72"x1.26")

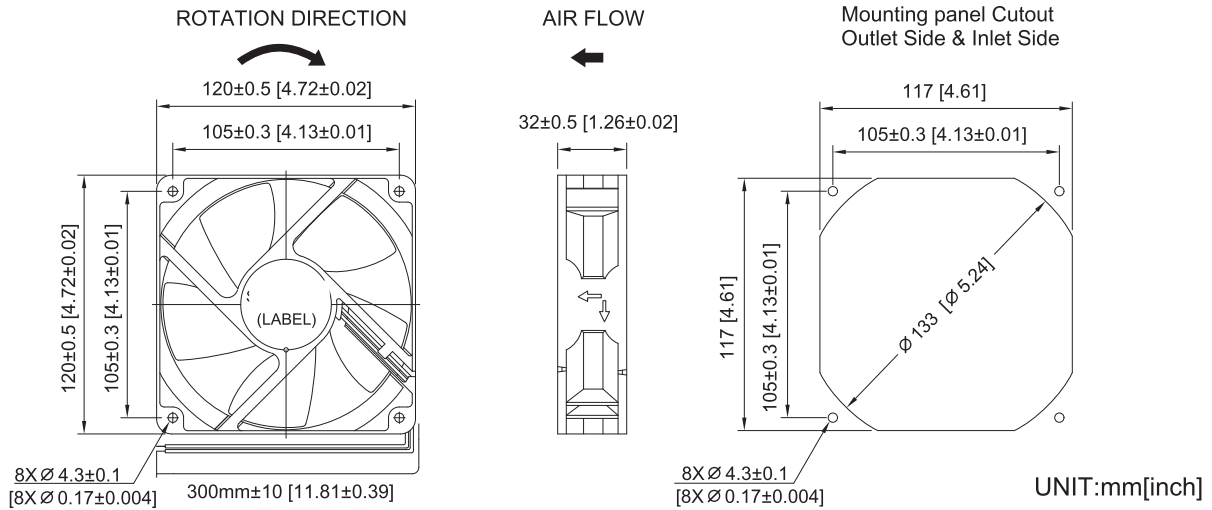


HOUSING Thermoplastic PBT, UL94V-0
IMPELLER Thermoplastic PBT, UL94V-0
BEARING Ball or Sleeve
OPERATING TEMPERATURE -10°C to +60°C
INSULATION RESISTANCE 10M Ohms Min.@500 VDC
DIELECTRIC STRENGTH 5 mA Max. at 500 VAC 60Hz for 1 minute
WEIGHT 213g
ROHS COMPLIANCE Yes

120mm

120mm

DIMENSION



SPECIFICATION

MODEL NO.	RATED VOLTAGE (V)	RATED CURRENT (A)	INPUT POWER (W)	SPEED (RPM)	MAX. AIR PRESSURE		MAX. AIR FLOW		NOISE dB(A) @1M
					inchH ₂ O	mmH ₂ O	CFM	m ³ /min	
D12032V12SL-A	12	0.51	6.12	3200	0.31	8.05	133.44	3.77	48.4
D12032V12H-A	12	0.32	3.84	2750	0.24	4.12	111.71	3.16	43.3
D12032V12M-A	12	0.26	3.12	2400	0.16	4.24	99.06	2.80	41.1
D12032V12L-A	12	0.19	2.28	2000	0.12	3.12	82.98	2.34	36.2
D12032V12XL-A	12	0.08	0.96	1450	0.07	0.90	59.46	1.68	26.9
D12032V24SL-A	24	0.32	7.68	3200	0.31	8.05	133.44	3.77	48.4
D12032V24H-A	24	0.21	5.04	2750	0.24	6.12	111.71	3.16	43.3
D12032V24M-A	24	0.16	3.84	2400	0.16	4.24	99.06	2.80	41.1
D12032V24L-A	24	0.10	2.40	2000	0.12	3.12	82.98	2.34	36.2
D12032V24XL-A	24	0.05	1.20	1450	0.07	1.90	59.46	1.68	26.9
D12032V48SL-A	48	0.15	7.20	3200	0.31	8.05	133.44	3.77	48.4
D12032V48H-A	48	0.11	5.28	2750	0.24	6.12	111.71	3.16	43.3

AIR PERFORMANCE

