

D12038-03



120x120x38mm
(4.72"x4.72"x1.50")



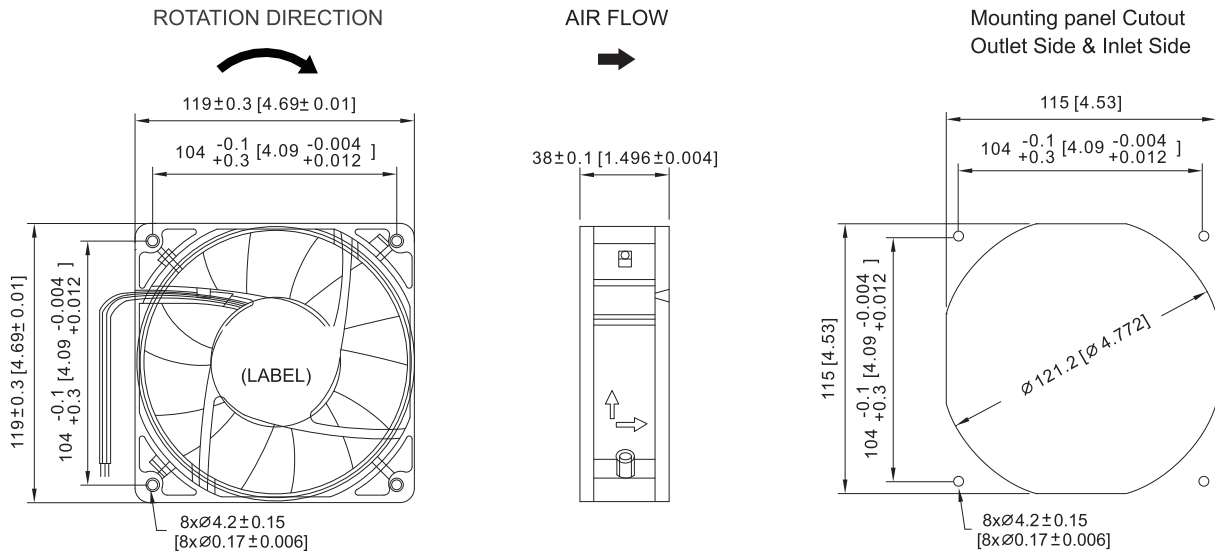
HOUSING Aluminum Die Casting, Painted Black
 IMPELLER Thermoplastic PBT, UL94V-0
 BEARING Ball or Sleeve
 OPERATING TEMPERATURE -10°C to +60°C
 INSULATION RESISTANCE 10M Ohms Min. @500 VDC
 DIELECTRIC STRENGTH 5 mA Max. at 500 VAC 60Hz for 1 minute
 WEIGHT 420g
 ROHS COMPLIANCE Yes

120mm

120mm

DC Fans & Blowers

DIMENSION



UNIT:mm[inch]

SPECIFICATION

| MODEL NO. | RATED VOLTAGE (V) | RATED CURRENT (A) | INPUT POWER (W) | SPEED (RPM) | MAX. AIR PRESSURE | | MAX. AIR FLOW | | NOISE dB (A) @1M |
|----------------|-------------------|-------------------|-----------------|-------------|----------------------|--------------------|---------------|---------------------|------------------|
| | | | | | inchH ₂ O | mmH ₂ O | CFM | m ³ /min | |
| D12038V12SH-03 | 12 | 1.80 | 21.60 | 3400 | 0.36 | 9.35 | 168 | 4.76 | 50 |
| D12038V12H-03 | 12 | 1.10 | 13.20 | 2900 | 0.28 | 7.10 | 145 | 4.11 | 48 |
| D12038V12M-03 | 12 | 1.00 | 12.00 | 2400 | 0.18 | 4.62 | 121 | 3.43 | 46 |
| D12038V24SH-03 | 24 | 1.10 | 26.40 | 3400 | 0.36 | 9.35 | 168 | 4.76 | 50 |
| D12038V24H-03 | 24 | 0.80 | 19.20 | 2900 | 0.28 | 7.10 | 145 | 4.11 | 48 |
| D12038V24M-03 | 24 | 0.60 | 14.40 | 2400 | 0.18 | 4.62 | 121 | 3.43 | 46 |
| D12038V48SH-03 | 48 | 0.50 | 24.00 | 3400 | 0.36 | 9.35 | 168 | 4.76 | 50 |
| D12038V48H-03 | 48 | 0.40 | 19.20 | 2900 | 0.28 | 7.10 | 145 | 4.11 | 48 |
| D12038V48M-03 | 48 | 0.18 | 8.64 | 2400 | 0.18 | 4.62 | 121 | 3.43 | 46 |

AIR PERFORMANCE

