

# D12038-K



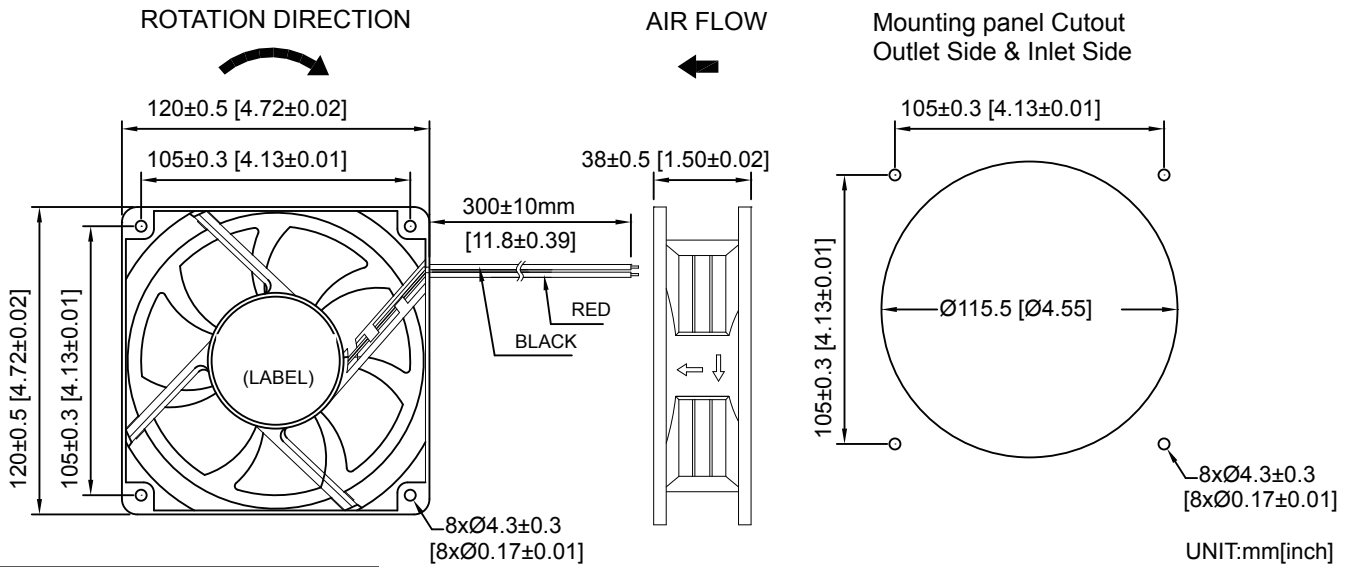
120x120x38mm  
(4.72"x4.72"x1.50")



HOUSING  
IMPELLER  
BEARING  
OPERATING TEMPERATURE  
INSULATION RESISTANCE  
DIELECTRIC STRENGTH  
WEIGHT  
ROHS COMPLIANCE

Thermoplastic PBT, UL94V-0  
Thermoplastic PBT, UL94V-0  
Ball or Sleeve  
-10°C to +70°C  
10M Ohms Min. @500 VDC  
5mA Max. at 500VAC 60Hz for 1 minute  
260g  
Yes

## DIMENSION



## SPECIFICATION

MODEL NO.	RATED VOLTAGE (V)	RATED CURRENT (A)	INPUT POWER (W)	SPEED (RPM)	MAX. AIR PRESSURE		MAX. AIR FLOW		NOISE dB(A) @1M
					inchH <sub>2</sub> O	mmH <sub>2</sub> O	CFM	m <sup>3</sup> /min	
D12038V12SLB-K	12	1.41	16.92	4200	0.94	23.8	178.4	5.05	54
D12038V12HB-K	12	0.80	9.60	3200	0.54	13.8	135.9	3.85	48
D12038V12MB-K	12	0.50	6.00	2900	0.45	11.3	123.2	3.49	44
D12038V12L-K	12	0.40	4.80	2600	0.41	10.4	114.7	3.25	41
D12038V24SLB-K	24	0.80	19.20	4200	0.94	23.8	178.4	5.05	54
D12038V24HB-K	24	0.46	11.04	3200	0.54	13.8	135.9	3.85	48
D12038V24MB-K	24	0.40	9.60	2900	0.45	11.3	123.2	3.49	44
D12038V24L-K	24	0.32	7.68	2600	0.41	10.4	114.7	3.25	41
D12038V24XL-K	24	0.18	4.32	2300	0.32	8.1	101.4	2.87	38
D12038V48HB-K	48	0.30	14.40	3200	0.54	13.8	135.9	3.85	48
D12038V48MB-K	48	0.28	13.44	2900	0.45	11.3	123.2	3.49	44
D12038V48LB-K	48	0.14	6.72	2600	0.41	10.4	114.7	3.25	41
D12038V48XL-K	48	0.09	4.32	2300	0.32	8.1	101.4	2.87	38

## AIR PERFORMANCE

