

# D12038

120x120x38mm  
(4.72"x4.72"x1.50")



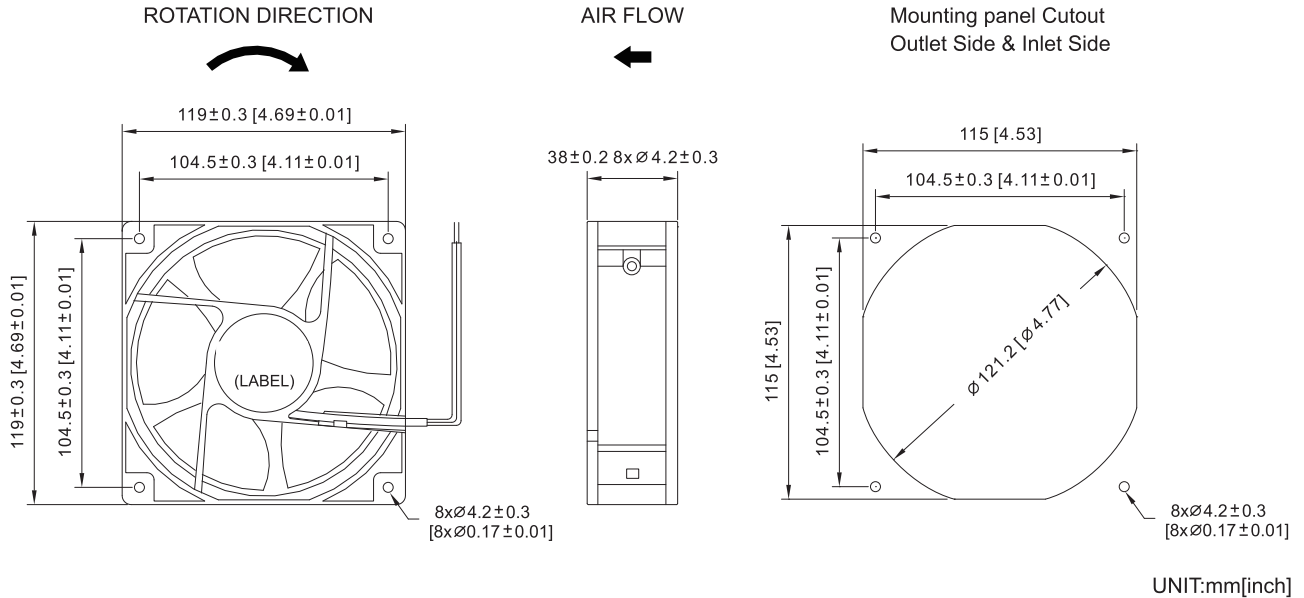
**HOUSING** Aluminum Die Casting, Painted Black  
**IMPELLER** Thermoplastic PBT, UL94V-0  
**BEARING** Ball or Sleeve  
**OPERATING TEMPERATURE** -10°C to + 60°C  
**INSULATION RESISTANCE** 10M Ohms Min. @500 VDC  
**DIELECTRIC STRENGTH** 5 mA Max. at 500 VAC 60Hz for 1 minute  
**WEIGHT** 420g  
**ROHS COMPLIANCE** Yes

# 120mm

120mm

DC Fans & Blowers

## DIMENSION



## SPECIFICATION

MODEL NO.	RATED VOLTAGE (V)	RATED CURRENT (A)	INPUT POWER (W)	SPEED (RPM)	MAX. AIR PRESSURE		MAX. AIR FLOW		NOISE dB(A) @1M
					inchH <sub>2</sub> O	mmH <sub>2</sub> O	CFM	m <sup>3</sup> /min	
D12038V12H	12	0.32	3.84	3000	0.23	5.85	85	2.41	48
D12038V12M	12	0.22	2.64	2500	0.15	3.89	66	2.01	40
D12038V24H	24	0.18	4.32	3000	0.23	5.85	85	2.41	48
D12038V24M	24	0.14	3.36	2500	0.15	3.89	66	2.01	40
D12038V48H	48	0.13	6.24	3000	0.23	5.85	85	2.41	48
D12038V48M	48	0.12	5.76	2500	0.15	3.89	66	2.01	40

## AIR PERFORMANCE

