

D1504

15x15x4mm
(0.59"x0.59"x0.16")



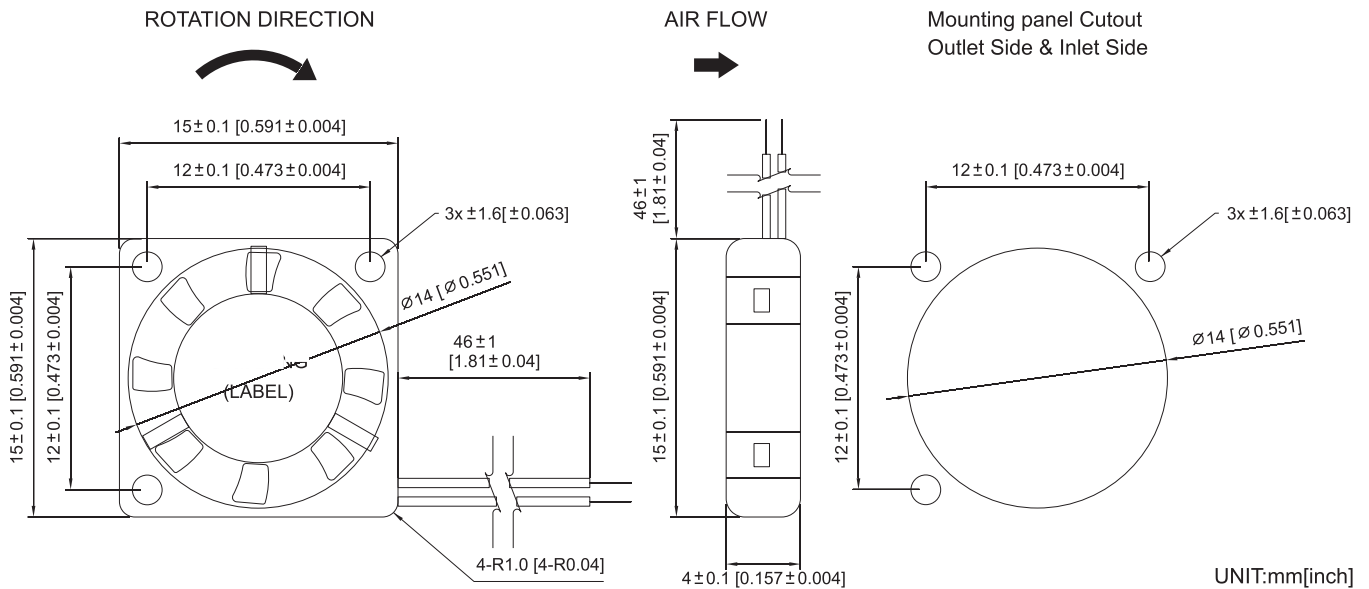
HOUSING Thermoplastic PBT, UL94V-0
 IMPELLER Thermoplastic PBT, UL94V-0
 BEARING Sleeve
 OPERATING TEMPERATURE -10°C to + 60°C
 INSULATION RESISTANCE 10M Ohms Min. @500 VDC
 DIELECTRIC STRENGTH 5 mA Max. at 500 VAC 60Hz for 1 minute
 WEIGHT 1.5g
 ROHS COMPLIANCE Yes
 APPLICATIONS Mini Projector

15mm

15mm

DC Fans & Blowers

DIMENSION



SPECIFICATION

MODEL NO.	RATED VOLTAGE (V)	RATED CURRENT (A)	INPUT POWER (W)	SPEED (RPM)	MAX. AIR PRESSURE		MAX. AIR FLOW		NOISE dB (A) @1M
					inchH ₂ O	mmH ₂ O	CFM	m ³ /min	
D1504V3HS	3.3	0.030	0.10	10000	0.06	1.5	0.3	0.008	25
D1504V5HS	5.0	0.042	0.21	16000	0.11	2.8	0.4	0.011	35

AIR PERFORMANCE

