

D17251-C

170x151x51mm
(6.77"x6.77"x2")



HOUSING
IMPELLER
BEARING
OPERATING TEMPERATURE
INSULATION RESISTANCE
DIELECTRIC STRENGTH
WEIGHT
ROHS COMPLIANCE

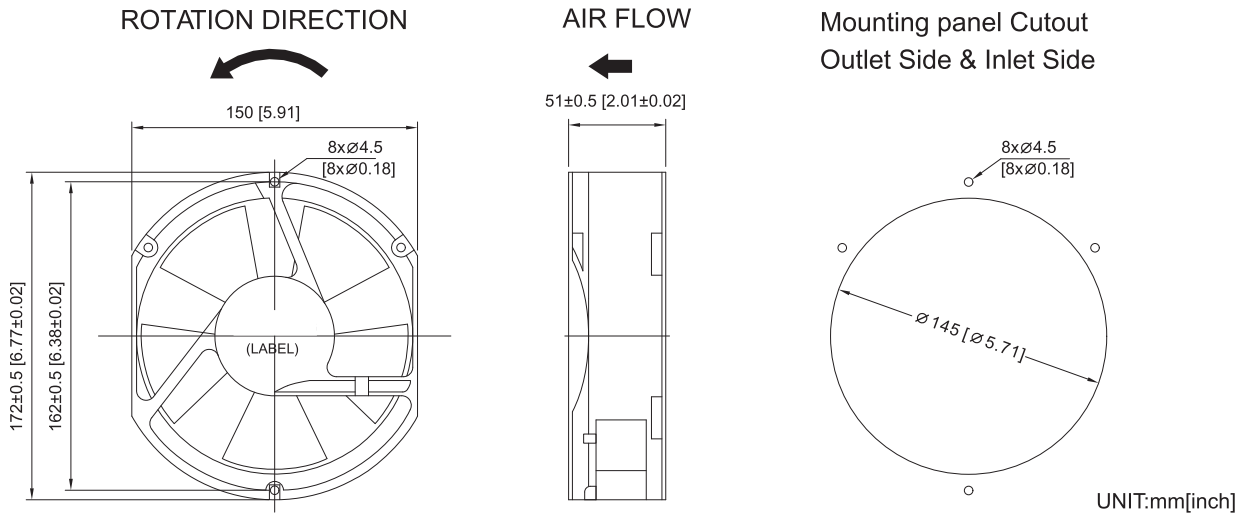
Aluminum Die Casting, Painted Black
Thermoplastic PBT, UL94V-0
Ball
-10°C to +60°C
10M Ohms Min. @500 VDC
5 mA Max. at 500 VAC 60Hz for 1 minute
1000g
Yes

172mm

172mm

DC Fans & Blowers

DIMENSION



SPECIFICATION

MODEL NO.	RATED VOLTAGE (V)	RATED CURRENT (A)	INPUT POWER (W)	SPEED (RPM)	MAX. AIR PRESSURE		MAX. AIR FLOW		NOISE dB(A) @1M
					inchH ₂ O	mmH ₂ O	CFM	m ³ /min	
D17251V12HB-C	12	2.20	26.40	3150	0.53	13.53	270	7.64	60
D17251V12MB-C	12	1.80	21.60	2900	0.47	12.10	245	6.94	58
D17251V12LB-C	12	1.10	13.20	2400	0.40	10.16	205	5.80	53
D17251V24HB-C	24	1.20	28.80	3400	0.67	17.05	290	8.23	63
D17251V24MB-C	24	0.77	18.48	2900	0.47	12.10	245	6.94	58
D17251V24LB-C	24	0.48	11.52	2400	0.40	10.16	205	5.80	53
D17251V48HB-C	48	0.73	35.04	3400	0.67	17.05	290	8.23	63
D17251V48MB-C	48	0.38	18.24	2900	0.47	12.10	245	6.94	58
D17251V48LB-C	48	0.25	12.00	2400	0.40	10.16	205	5.80	53

AIR PERFORMANCE

