

# D22580M-PB



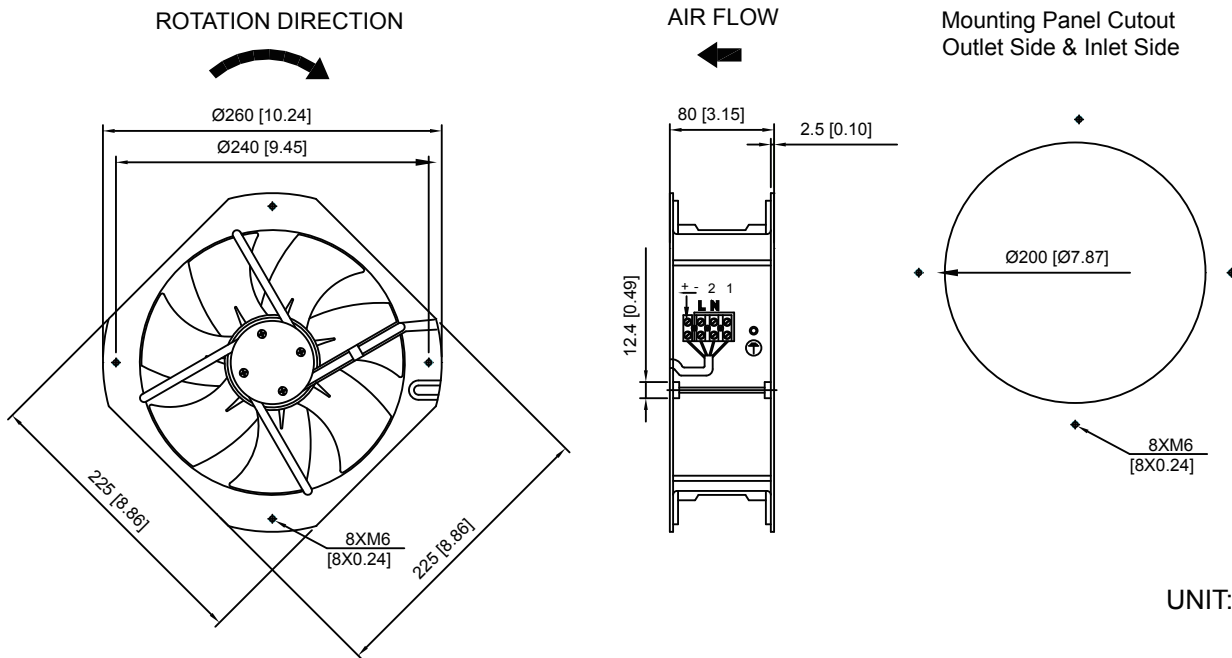
225x225x80mm  
(8.77"x8.77"x3.12")



HOUSING  
IMPELLER  
BEARING  
OPERATING TEMPERATURE  
INSULATION RESISTANCE  
DIELECTRIC STRENGTH  
WEIGHT  
ROHS COMPLIANCE  
IP LEVEL

Aluminum Die Casting  
Metal  
Ball  
-10°C to +60°C  
10M Ohms min. @500VDC  
5mA Max. at 500VAC 60Hz for 1 minute  
2200g  
Yes  
IP44 included

## DIMENSION



UNIT:mm[inch]

## SPECIFICATION

MODEL NO.	RATED VOLTAGE (V)	RATED CURRENT (A)	INPUT POWER (W)	SPEED (RPM)	MAX. AIR PRESSURE inchH <sub>2</sub> O	mmH <sub>2</sub> O	MAX. CFM	AIR FLOW m <sup>3</sup> /min	NOISE dB(A) @1M
D22580V24HBM-PB	24	2.2	53	2750	0.95	24.13	677	19.16	60
D22580V48HBM-PB	48	1.1	53	2750	0.95	24.13	677	19.16	60

## AIR PERFORMANCE

