

D 28080M-P



280x280x80mm
(11.02"x11.02"x3.15")

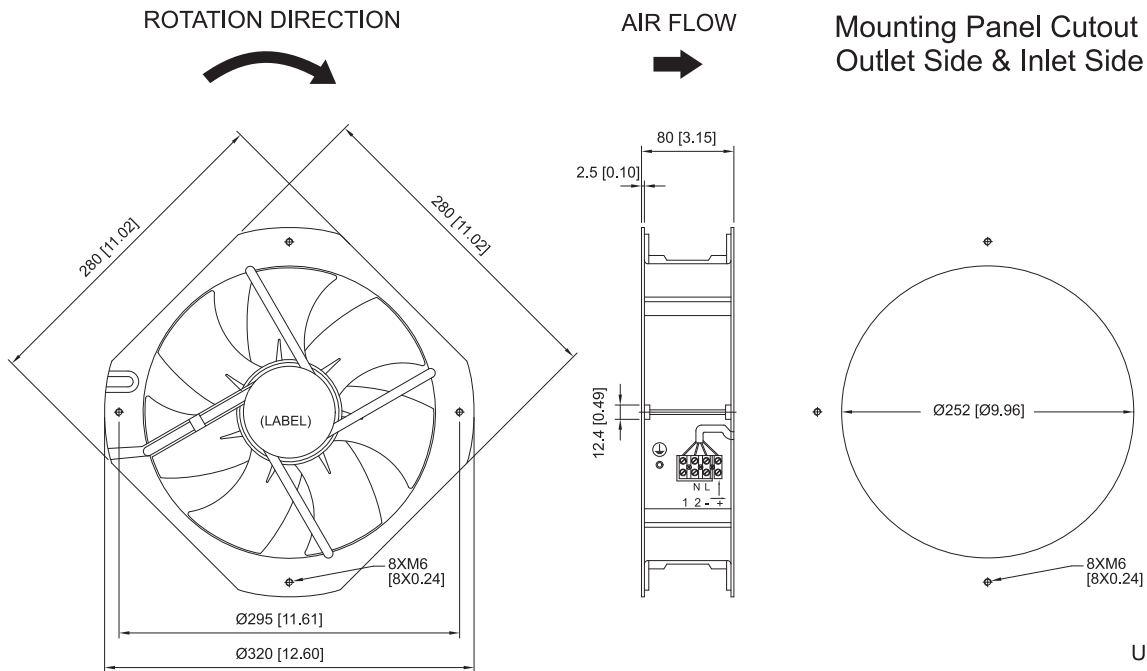


| | |
|-----------------------|----------------------------------------|
| HOUSING | Aluminum Die Casting, Painted Black |
| IMPELLER | Metal |
| BEARING | Ball |
| OPERATING TEMPERATURE | -10°C to +60°C |
| INSULATION RESISTANCE | 10M Ohms Min. @500 VDC |
| DIELECTRIC STRENGTH | 5 mA Max. at 500 VAC 60Hz for 1 minute |
| WEIGHT | 2.4kg |
| ROHS COMPLIANCE | Yes |

280_{mm}

DC Fans & Blowers

DIMENSION



SPECIFICATION

| MODEL NO. | RATED VOLTAGE (V) | RATED CURRENT (A) | INPUT POWER (W) | SPEED (RPM) | MAX. AIR PRESSURE | | MAX. AIR FLOW | | NOISE dB(A) @1M |
|----------------|-------------------|-------------------|-----------------|-------------|----------------------|--------------------|---------------|---------------------|-----------------|
| | | | | | inchH ₂ O | mmH ₂ O | CFM | m ³ /min | |
| D28080V24HBM-P | 24 | 5.2 | 106 | 2750 | 0.88 | 22.5 | 1130 | 32 | 70 |
| D28080V48HBM-P | 48 | 2.6 | 106 | 2750 | 0.88 | 22.5 | 1130 | 32 | 70 |

AIR PERFORMANCE

