

D4015-A

40x40x15mm
(1.57"x1.57"x0.59")



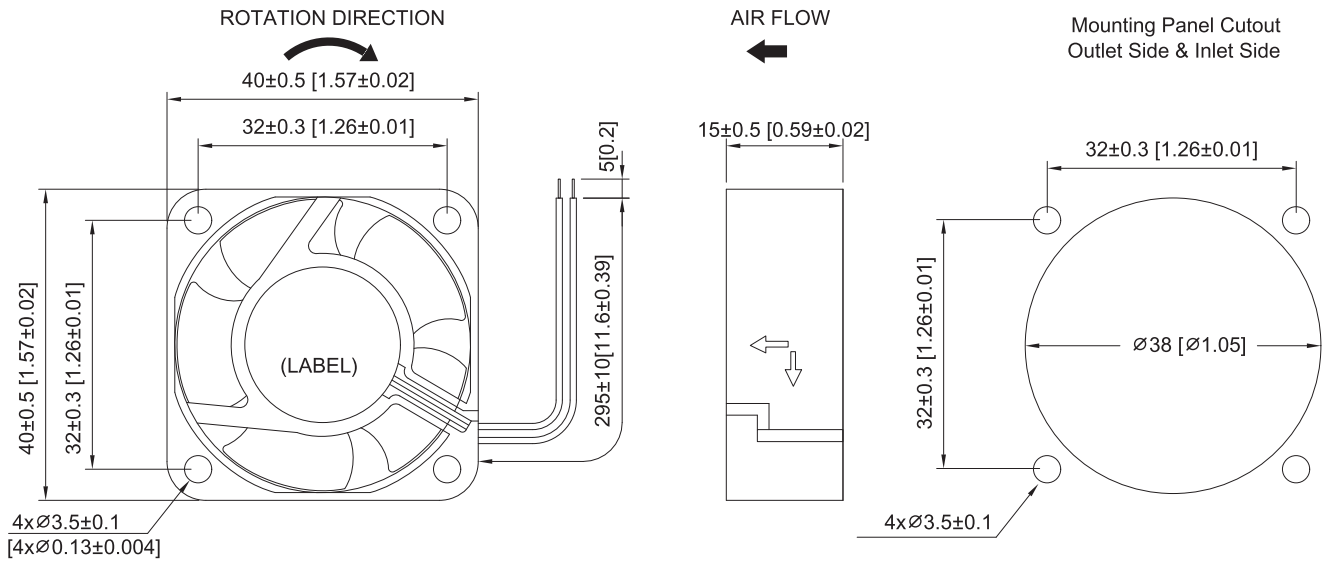
HOUSING	Thermoplastic PBT, UL94V-0
IMPELLER	Thermoplastic PBT, UL94V-0
BEARING	Ball
OPERATING TEMPERATURE	-10°C to +60°C
INSULATION RESISTANCE	10M Ohms Min. @500 VDC
DIELECTRIC STRENGTH	5 mA Max. at 500 VAC 60Hz for 1 minute
WEIGHT	26g
ROHS COMPLIANCE	Yes

40mm

40mm

DC Fans & Blowers

DIMENSION



UNIT:mm[inch]

SPECIFICATION

MODEL NO.	RATED VOLTAGE (V)	RATED CURRENT (A)	INPUT POWER (W)	SPEED (RPM)	MAX. AIR PRESSURE		MAX. AIR FLOW		NOISE dB(A) @1M
					inchH ₂ O	mmH ₂ O	CFM	m ³ /min	
D4015V12H-A	12	0.11	1.32	8000	0.24	6.32	8.48	0.23	36
D4015V12M-A	12	0.09	1.08	7000	0.20	5.08	7.60	0.21	31
D4015V12L-A	12	0.07	0.84	6000	0.16	4.08	6.46	0.18	25

AIR PERFORMANCE

