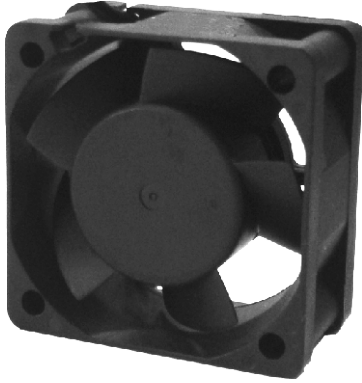


# D4020

40x40x20mm  
(1.57"x1.57"x0.79")



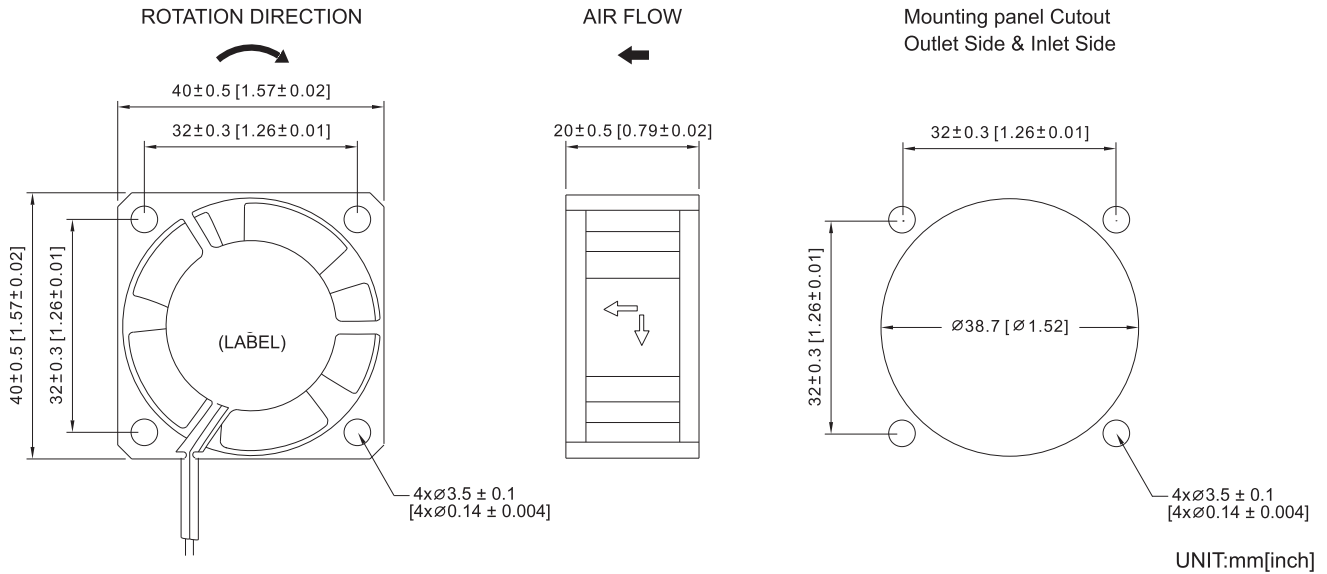
HOUSING Thermoplastic PBT, UL94V-0  
 IMPELLER Thermoplastic PBT, UL94V-0  
 BEARING Ball or Sleeve  
 OPERATING TEMPERATURE -10°C to + 60°C  
 INSULATION RESISTANCE 10M Ohms Min. @500 VDC  
 DIELECTRIC STRENGTH 5 mA Max. at 500 VAC 60Hz for 1 minute  
 WEIGHT 40g  
 ROHS COMPLIANCE Yes

# 40mm

40mm

DC Fans & Blowers

## DIMENSION



## SPECIFICATION

MODEL NO.	RATED VOLTAGE (V)	RATED CURRENT (A)	INPUT POWER (W)	SPEED (RPM)	MAX. AIR PRESSURE		MAX. AIR FLOW		NOISE dB(A) @1M
					inchH <sub>2</sub> O	mmH <sub>2</sub> O	CFM	m <sup>3</sup> /min	
D4020V5H	5	0.25	1.25	7000	0.15	3.80	7.77	0.22	31
D4020V5M	5	0.12	0.60	6000	0.08	2.00	5.00	0.14	26
D4020V12H	12	0.16	1.92	7000	0.21	5.31	8.53	0.24	31
D4020V12M	12	0.10	1.20	6000	0.15	3.91	7.09	0.20	26
D4020V12L	12	0.08	0.96	5000	0.11	2.80	6.00	0.17	22
D4020V24H	24	0.18	4.32	7000	0.07	1.90	8.58	0.24	31
D4020V24M	24	0.13	3.12	6000	0.15	3.91	7.09	0.20	26
D4020V24L	24	0.10	2.40	5000	0.11	2.80	6.00	0.17	22

## AIR PERFORMANCE

