

# D6020

60x60x20mm  
(2.36"x2.36"x0.79")



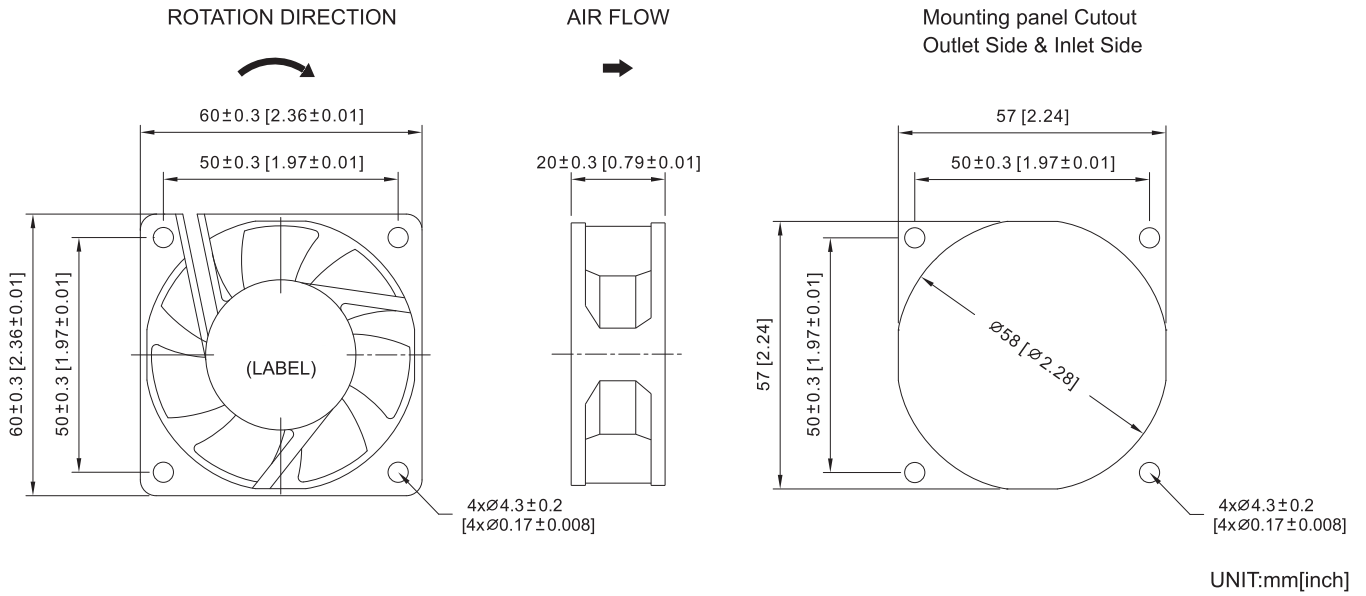
HOUSING Thermoplastic PBT, UL94V-0  
 IMPELLER Thermoplastic PBT, UL94V-0  
 BEARING Ball or Sleeve  
 OPERATING TEMPERATURE -10°C to +60°C  
 INSULATION RESISTANCE 10M Ohms Min. @500 VDC  
 DIELECTRIC STRENGTH 5 mA Max. at 500 VAC 60Hz for 1 minute  
 WEIGHT 49g  
 ROHS COMPLIANCE Yes

# 60mm

60mm

DC Fans & Blowers

## DIMENSION



## SPECIFICATION

MODEL NO.	RATED VOLTAGE (V)	RATED CURRENT (A)	INPUT POWER (W)	SPEED (RPM)	MAX. AIR PRESSURE		MAX. AIR FLOW		NOISE dB(A) @1M
					inchH <sub>2</sub> O	mmH <sub>2</sub> O	CFM	m <sup>3</sup> /min	
D6020V12SH	12	0.18	2.16	4800	0.23	5.73	23.40	0.66	35.5
D6020V12H	12	0.15	1.80	4200	0.18	4.57	20.30	0.57	30.4
D6020V12M	12	0.12	1.44	3600	0.14	3.44	17.30	0.49	26.2
D6020V12L	12	0.09	1.08	3000	0.09	2.29	13.80	0.39	23.4

## AIR PERFORMANCE

