

D 6025-03



60x60x25mm
(2.36"x2.36"x0.98")



HOUSING Thermoplastic PBT, UL94V-0
 IMPELLER Thermoplastic PBT, UL94V-0
 BEARING Ball or Sleeve
 OPERATING TEMPERATURE -10°C to +60°C
 INSULATION RESISTANCE 10M Ohms Min. @500 VDC
 DIELECTRIC STRENGTH 5 mA Max. at 500 VAC 60Hz for 1 minute
 WEIGHT 75g
 ROHS COMPLIANCE Yes

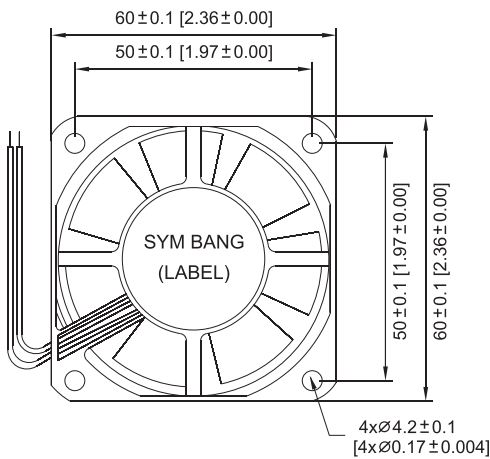
60mm

60mm

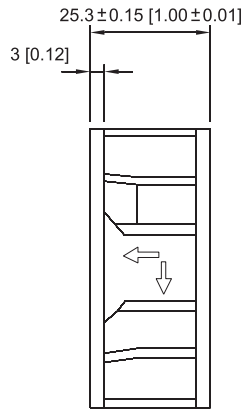
DC Fans & Blowers

DIMENSION

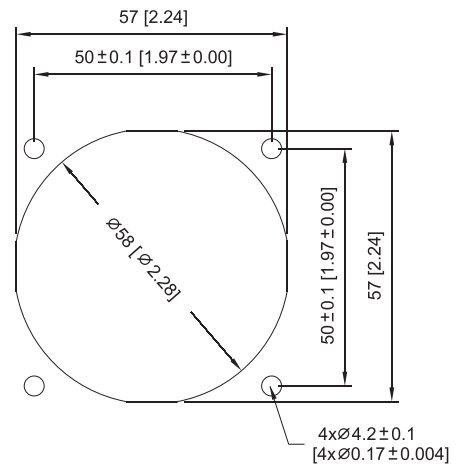
ROTATION DIRECTION



AIR FLOW



Mounting Panel Cutout
 Outlet Side & Inlet Side



UNIT:mm[inch]

SPECIFICATION

MODEL NO.	RATED VOLTAGE (V)	RATED CURRENT (A)	INPUT POWER (W)	SPEED (RPM)	MAX. AIR PRESSURE		MAX. AIR FLOW		NOISE dB(A) @1M
					inchH ₂ O	mmH ₂ O	CFM	m ³ /min	
D6025V12SH-03	12	0.39	4.68	7000	0.53	13.40	38.40	1.09	47
D6025V12SM-03	12	0.34	4.08	6000	0.41	10.30	33.20	0.94	42
D6025V12SL-03	12	0.23	2.76	5000	0.29	7.25	27.40	0.78	38
D6025V24SH-03	24	0.22	5.28	7000	0.53	13.40	38.40	1.09	47
D6025V24SM-03	24	0.18	4.32	6000	0.41	10.30	33.20	0.94	42
D6025V24SL-03	24	0.13	3.12	5000	0.29	7.25	27.40	0.78	38

AIR PERFORMANCE

