

D6025-CT



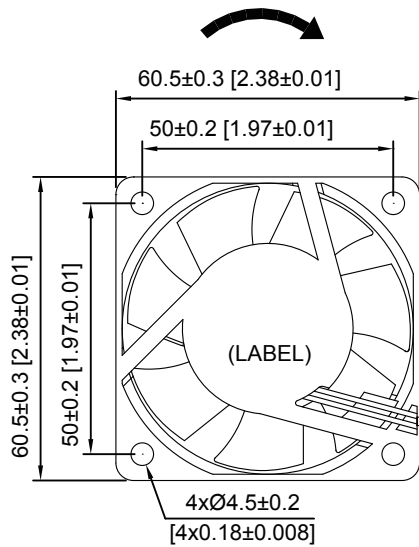
60x60x25mm
(2.3"x2.3"x1")



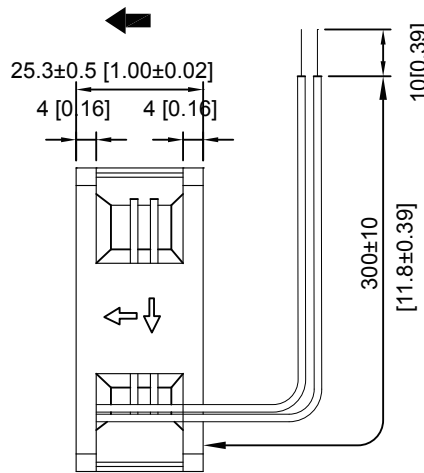
HOUSING Thermoplastic PBT, UL94V-0
 IMPELLER Thermoplastic PBT, UL94V-0
 BEARING Ball or Sleeve
 OPERATING TEMPERATURE -10°C to + 70°C
 INSULATION RESISTANCE 10M Ohms Min. @500 VDC
 DIELECTRIC STRENGTH 5mA Max. at 500VAC 60Hz for 1 second
 WEIGHT 66g
 ROHS COMPLIANCE Yes

DIMENSION

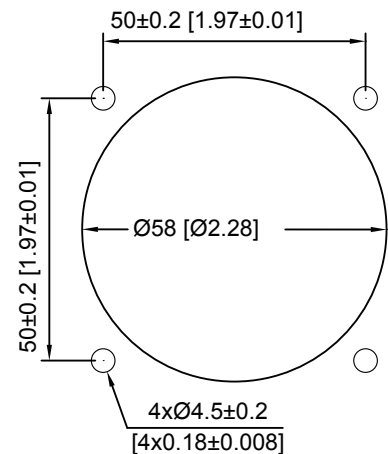
ROTATION DIRECTION



AIR FLOW



Mounting Panel Cutout Outlet Side & Inlet Side



UNIT:mm[inch]

SPECIFICATION

MODEL NO.	RATED VOLTAGE (V)	RATED CURRENT (A)	INPUT POWER (W)	SPEED (RPM)	MAX. AIR PRESSURE		MAX. AIR FLOW		NOISE dB(A) @1M
					inchH ₂ O	mmH ₂ O	CFM	m ³ /min	
D6025V5L-CT	5	0.22	1.10	3800	0.17	4.47	21.50	0.61	30.8
D6025V12SM-CT	12	0.90	10.8	9800	1.17	29.72	55.52	1.57	56.0
D6025V24L-CT	24	0.08	1.92	4200	0.21	5.46	23.79	0.67	33.0

AIR PERFORMANCE

