

D6025-K

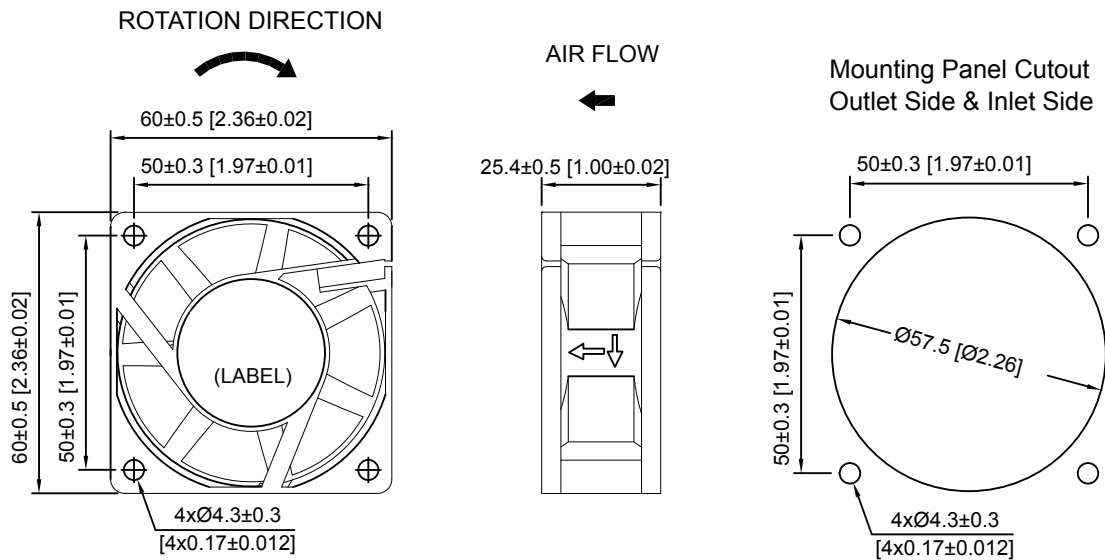


60x60x25mm
(2.36"x2.36"x0.98")



HOUSING	Thermoplastic PBT, UL94V-0
IMPELLER	Thermoplastic PBT, UL94V-0
BEARING	Ball or Sleeve
OPERATING TEMPERATURE	-10°C to +70°C
INSULATION RESISTANCE	10M Ohms Min.@500 VDC
DIELECTRIC STRENGTH	5mA Max. at 500VAC 60Hz for 1 second
WEIGHT	57g
ROHS COMPLIANCE	Yes

DIMENSION



SPECIFICATION

MODEL NO.	RATED VOLTAGE (V)	RATED CURRENT (A)	INPUT POWER (W)	SPEED (RPM)	MAX. AIR PRESSURE		MAX. AIR FLOW		NOISE dB(A) @1M
					inchH ₂ O	mmH ₂ O	CFM	m ³ /min	
D6025V12XL-K	12	0.1	1.2	3100	0.1	2.54	14.1	0.40	26
D6025V24XL-K	24	0.06	1.44	3100	0.1	2.54	14.1	0.40	26
D6025V48XL-K	48	0.05	2.4	3100	0.1	2.54	14.1	0.40	26
D6025V12L-K	12	0.12	1.44	3600	0.14	3.56	18.5	0.52	31
D6025V24L-K	24	0.08	1.92	3600	0.14	3.56	18.5	0.52	31
D6025V48L-K	48	0.06	2.88	3600	0.14	3.56	18.5	0.52	31
D6025V12M-K	12	0.16	1.92	4250	0.19	4.83	21.5	0.61	34
D6025V24M-K	24	0.11	2.64	4250	0.19	4.83	21.5	0.61	34
D6025V48M-K	48	0.07	3.36	4250	0.19	4.83	21.5	0.61	34
D6025V12H-K	12	0.35	4.2	5000	0.26	6.50	25.6	0.73	40
D6025V24H-K	24	0.2	4.8	5000	0.26	6.50	25.6	0.73	40
D6025V48H-K	48	0.12	5.76	5000	0.26	6.50	25.6	0.73	40
D6025V12SL-K	12	0.36	4.32	6800	0.51	13	34.8	0.99	46.5

AIR PERFORMANCE

