

D6025



60x60x25mm
(2.36"x2.36"x0.98")



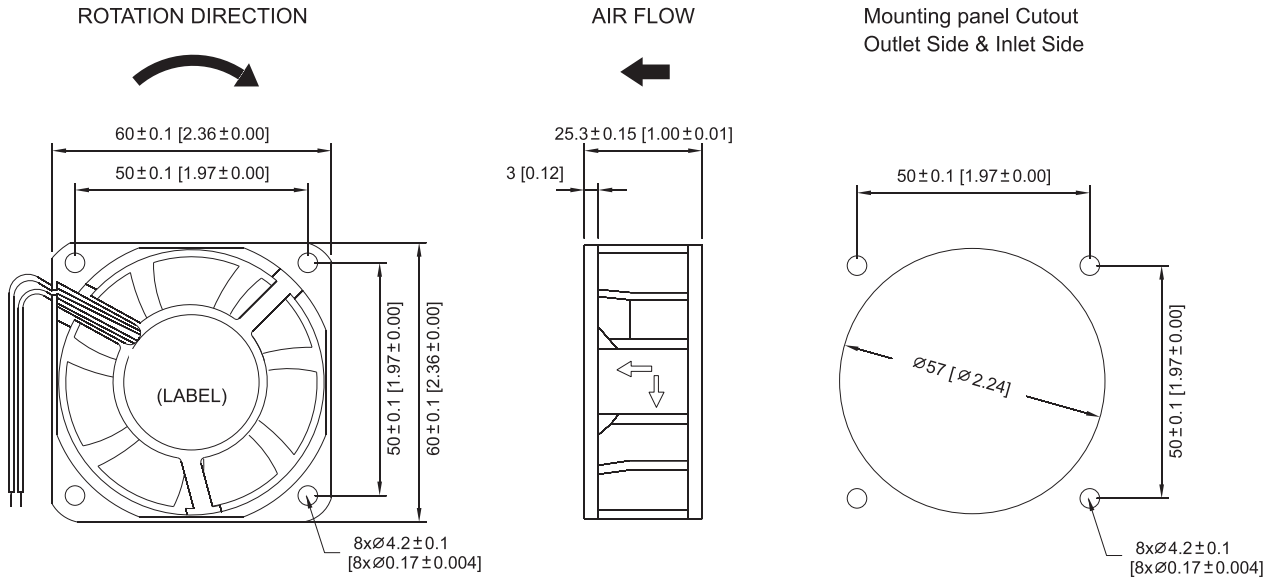
HOUSING Thermoplastic PBT, UL94V-0
 IMPELLER Thermoplastic PBT, UL94V-0
 BEARING Ball or Sleeve
 OPERATING TEMPERATURE -10°C to +60°C
 INSULATION RESISTANCE 10M Ohms Min.@500 VDC
 DIELECTRIC STRENGTH 5 mA Max. at 500 VAC 60Hz for 1 minute
 WEIGHT 75g
 ROHS COMPLIANCE Yes

60mm

60mm

DC Fans & Blowers

DIMENSION



UNIT:mm[inch]

SPECIFICATION

| MODEL NO. | RATED VOLTAGE (V) | RATED CURRENT (A) | INPUT POWER (W) | SPEED (RPM) | MAX. AIR PRESSURE | | MAX. AIR FLOW | | NOISE dB(A) @1M |
|-----------|-------------------|-------------------|-----------------|-------------|----------------------|--------------------|---------------|---------------------|-----------------|
| | | | | | inchH ₂ O | mmH ₂ O | CFM | m ³ /min | |
| D6025V12H | 12 | 0.13 | 1.56 | 3800 | 0.16 | 4.12 | 19.50 | 0.55 | 30 |
| D6025V12M | 12 | 0.11 | 1.32 | 3200 | 0.12 | 3.10 | 16.70 | 0.47 | 25 |
| D6025V12L | 12 | 0.09 | 1.08 | 2600 | 0.07 | 1.80 | 12.80 | 0.36 | 23 |
| D6025V24H | 24 | 0.12 | 2.88 | 3800 | 0.16 | 4.12 | 19.50 | 0.55 | 30 |
| D6025V24M | 24 | 0.10 | 2.40 | 3200 | 0.12 | 3.10 | 16.70 | 0.47 | 25 |
| D6025V24L | 24 | 0.08 | 1.92 | 2600 | 0.07 | 1.80 | 12.80 | 0.36 | 23 |

AIR PERFORMANCE

