

# D7015-K

70x70x15mm  
(2.76"x2.76"x0.59")



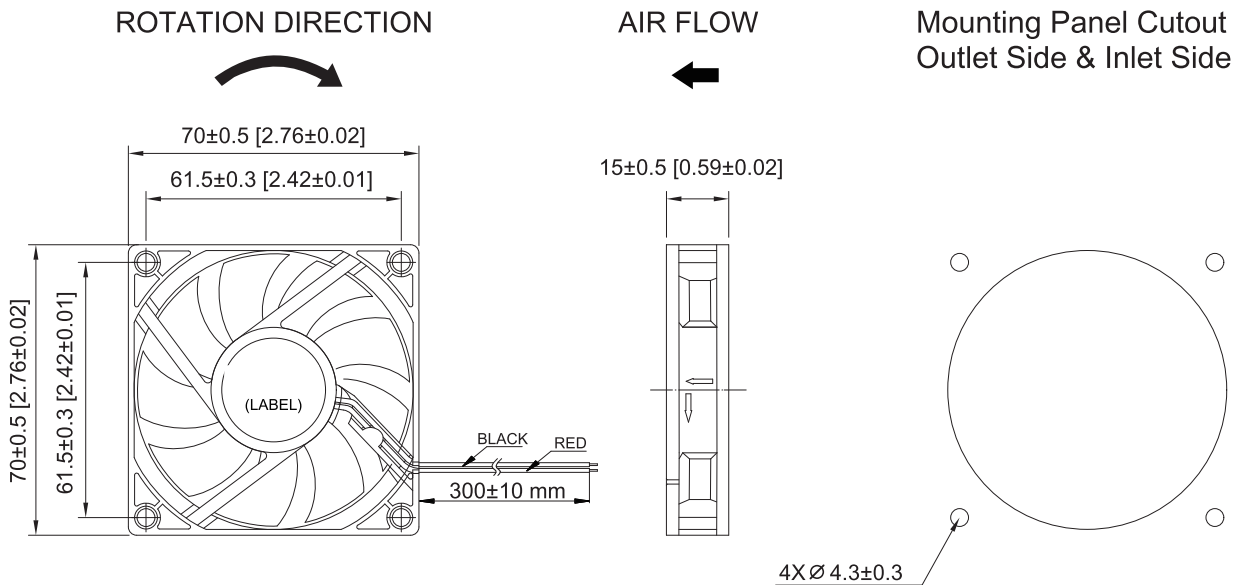
HOUSING	Thermoplastic PBT, UL94V-0
IMPELLER	Thermoplastic PBT, UL94V-0
BEARING	Ball or Sleeve
OPERATING TEMPERATURE	-10°C to +60°C
INSULATION RESISTANCE	10M Ohms Min. @500 VDC
DIELECTRIC STRENGTH	5 mA Max. at 500 VAC 60Hz for 1 minute
WEIGHT	51g
ROHS COMPLIANCE	Yes

# 70mm

70mm

DC Fans & Blowers

## DIMENSION



UNIT:mm[inch]

## SPECIFICATION

MODEL NO.	RATED VOLTAGE (V)	RATED CURRENT (A)	INPUT POWER (W)	SPEED (RPM)	MAX. AIR PRESSURE		MAX. AIR FLOW		NOISE dB(A) @1M
					inchH <sub>2</sub> O	mmH <sub>2</sub> O	CFM	m <sup>3</sup> /min	
D7015V12H-K	12	0.28	3.36	4300	0.22	5.5	33.5	0.95	39
D7015V12M-K	12	0.18	2.16	3800	0.17	4.3	29.6	0.84	35
D7015V12L-K	12	0.13	1.56	3300	0.13	3.3	25.7	0.73	31
D7015V12XL-K	12	0.11	1.23	2800	0.09	2.3	21.1	0.60	27

## AIR PERFORMANCE

