

# D 8025-03



80x80x25mm  
(3.15"x3.15"x0.98")



HOUSING Thermoplastic PBT, UL94V-0  
 IMPELLER Thermoplastic PBT, UL94V-0  
 BEARING Ball or Sleeve  
 OPERATING TEMPERATURE -10°C to +60°C  
 INSULATION RESISTANCE 10M Ohms Min. @500 VDC  
 DIELECTRIC STRENGTH 5 mA Max. at 500 VAC 60Hz for 1 minute  
 WEIGHT 85g  
 ROHS COMPLIANCE Yes

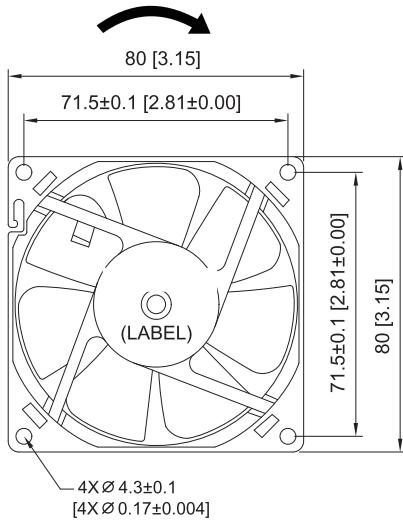
# 80 mm

80mm

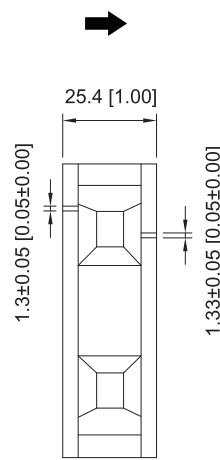
DC Fans & Blowers

## DIMENSION

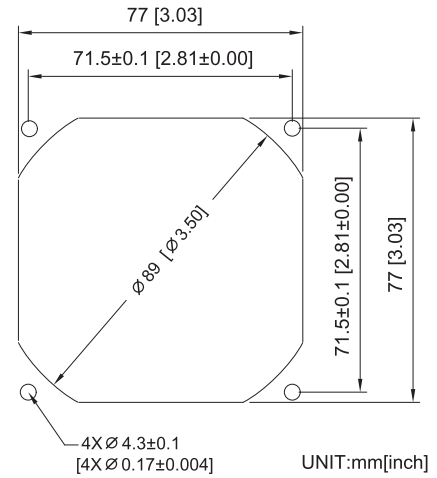
### ROTATION DIRECTION



### AIR FLOW



### Mounting Panel Cutout Outlet Side & Inlet Side



## SPECIFICATION

MODEL NO.	RATED VOLTAGE (V)	RATED CURRENT (A)	INPUT POWER (W)	SPEED (RPM)	MAX. AIR PRESSURE		MAX. AIR FLOW		NOISE dB(A) @1M
					inchH <sub>2</sub> O	mmH <sub>2</sub> O	CFM	m <sup>3</sup> /min	
D8025V12SL-03	12	0.40	4.80	4000	0.27	7.09	55	1.57	41
D8025V12H-03	12	0.30	3.60	3300	0.18	4.54	44	1.25	36
D8025V12M-03	12	0.20	2.40	2700	0.13	3.24	37	1.05	30
D8025V12L-03	12	0.15	1.80	2100	0.09	2.18	30	0.85	24
D8025V24SL-03	24	0.25	6.00	4000	0.27	7.09	55	1.57	41
D8025V24H-03	24	0.21	5.04	3300	0.18	4.54	44	1.25	36
D8025V24M-03	24	0.17	4.80	2700	0.13	3.24	37	1.05	30
D8025V24L-03	24	0.12	2.88	2100	0.09	2.18	30	0.85	24
D8025V48H-03	48	0.15	7.20	3300	0.18	4.54	44	1.25	36

## AIR PERFORMANCE

