

D

8038D-A



80x80x25mm
(3.15"x3.15"x1.50")



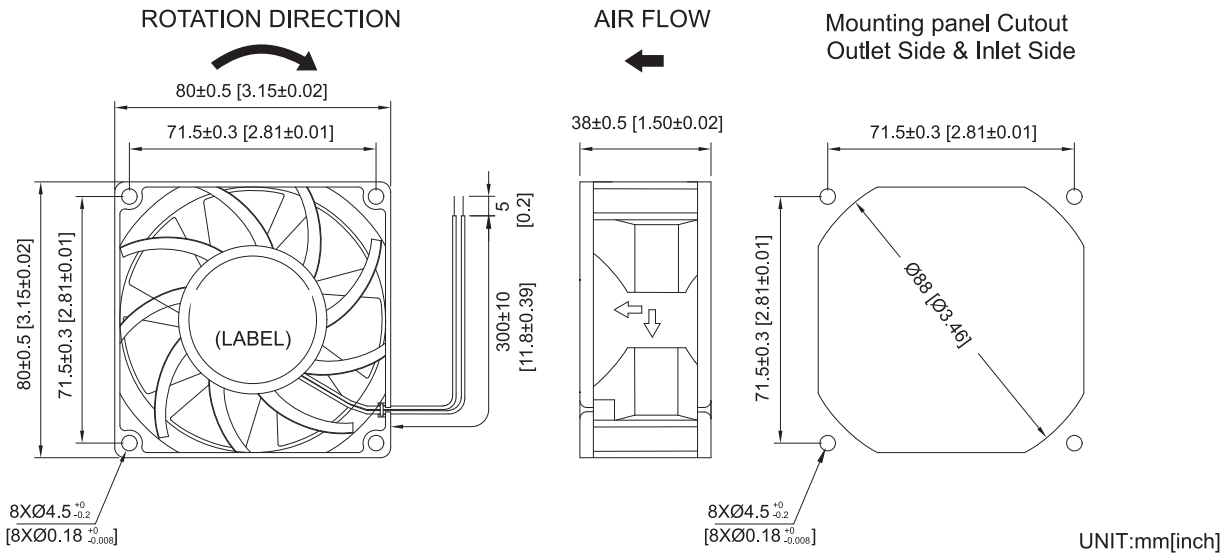
HOUSING	Thermoplastic PBT, UL94V-0
IMPELLER	Thermoplastic PBT, UL94V-0
BEARING	Ball
OPERATING TEMPERATURE	-10°C to +60°C
INSULATION RESISTANCE	10 M Ohms Min. @500 VDC
DIELECTRIC STRENGTH	5 mA Max. at 500 VAC 60Hz for 1 minute
WEIGHT	212g
ROHS COMPLIANCE	Yes

80 mm

80mm

DC Fans & Blowers

DIMENSION



SPECIFICATION

MODEL NO.	RATED VOLTAGE (V)	RATED CURRENT (A)	INPUT POWER (W)	SPEED (RPM)	MAX. AIR PRESSURE		MAX. AIR FLOW		NOISE dB(A) @1M
					inchH ₂ O	mmH ₂ O	CFM	m ³ /min	
D8038V12SHBD-A	12	1.86	22.32	7000	1.05	26.67	110	3.11	60.5
D8038V12SMBD-A	12	1.18	14.16	6200	0.80	20.32	97	2.74	57.0
D8038V12SLBD-A	12	0.81	9.72	5500	0.66	16.76	88	2.49	55.0
D8038V12HBD-A	12	0.54	6.48	4800	0.49	12.44	75	2.12	50.5
D8038V24SMBD-A	24	0.54	12.96	6200	0.80	20.32	97	2.74	57.0
D8038V24SLBD-A	24	0.42	10.08	5500	0.66	16.76	88	2.49	55.0
D8038V24HBD-A	24	0.30	7.20	4800	0.49	12.44	75	2.12	50.5
D8038V48SMBD-A	48	0.30	14.40	6200	0.80	20.32	97	2.74	57.0
D8038V48SLBD-A	48	0.20	9.60	5500	0.66	16.76	88	2.49	55.0
D8038V48HBD-A	48	0.15	7.20	4800	0.49	12.44	75	2.12	50.5

AIR PERFORMANCE

