

D9225-K

92x92x25mm
(3.63"x3.63"x0.98")



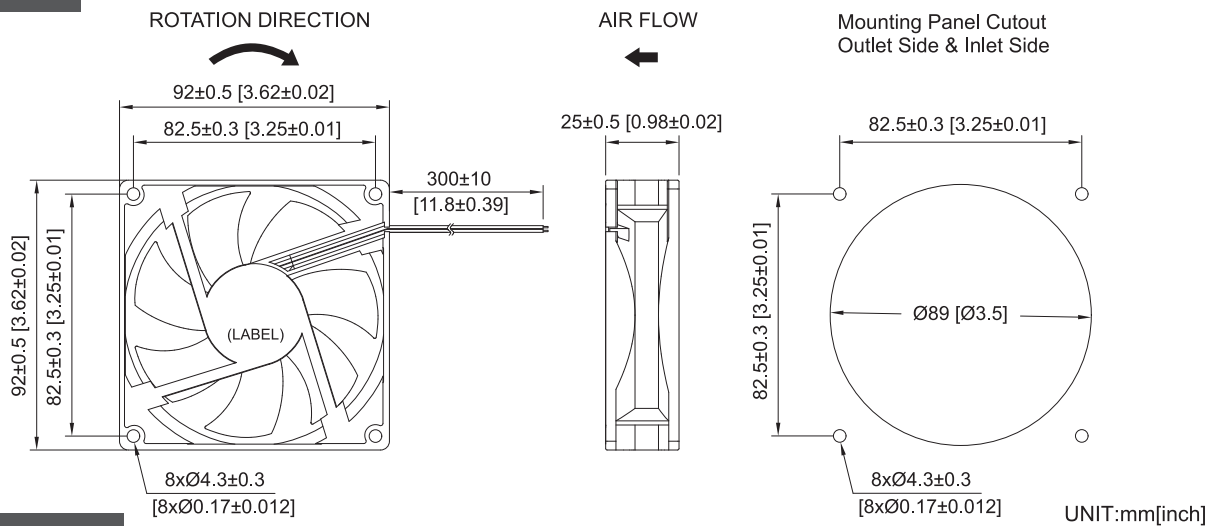
HOUSING Thermoplastic PBT, UL94V-0
IMPELLER Thermoplastic PBT, UL94V-0
BEARING Ball or Sleeve
OPERATING TEMPERATURE -10°C to +60°C
INSULATION RESISTANCE 10M Ohms Min. @500 VDC
DIELECTRIC STRENGTH 5 mA Max. at 500 VAC 60Hz for 1 minute
WEIGHT 120g
ROHS COMPLIANCE Yes

92mm

92mm

DC Fans & Blowers

DIMENSION



SPECIFICATION

MODEL NO.	RATED VOLTAGE (V)	RATED CURRENT (A)	INPUT POWER (W)	SPEED (RPM)	MAX. AIR PRESSURE		MAX. AIR FLOW		NOISE dB(A) @1M
					inchH ₂ O	mmH ₂ O	CFM	m ³ /min	
D9225V12SM-K	12	0.40	4.80	4500	0.40	9.2	81.0	2.29	49
D9225V12SL-K	12	0.42	5.04	3800	0.26	6.6	69.2	1.96	45
D9225V12H-K	12	0.31	3.72	3200	0.18	4.7	58.3	1.65	38
D9225V12M-K	12	0.25	3.00	2850	0.16	3.9	52.1	1.48	34
D9225V12L-K	12	0.19	2.28	2450	0.11	2.9	44.8	1.27	30
D9225V12XL-K	12	0.14	1.68	2100	0.09	2.2	39.2	1.11	25
D9225V24SL-K	24	0.24	5.76	3800	0.26	6.6	69.2	1.96	45
D9225V24H-K	24	0.22	5.28	3200	0.18	4.7	58.3	1.65	38
D9225V24M-K	24	0.16	3.84	2850	0.16	3.9	52.1	1.48	34
D9225V24L-K	24	0.11	2.64	2450	0.11	2.9	44.8	1.27	30
D9225V24XL-K	24	0.11	2.64	2100	0.09	2.2	39.2	1.11	25
D9225V48H-K	48	0.12	5.76	3200	0.18	4.7	58.3	1.65	38
D9225V48M-K	48	0.10	4.80	2850	0.16	3.9	52.1	1.48	34
D9225V48L-K	48	0.08	3.84	2450	0.11	2.9	44.8	1.27	30
D9225V48XL-K	48	0.05	2.40	2100	0.09	2.2	39.2	1.11	25

AIR PERFORMANCE

