

D 9232-A



92x92x32mm
(3.62"x3.62"x1.25")



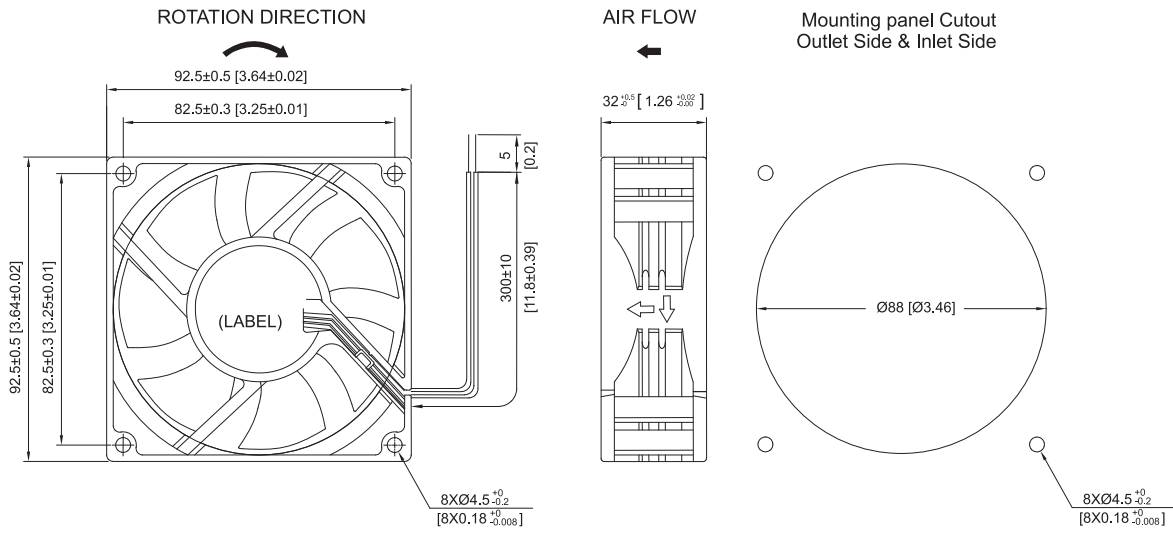
HOUSING	Thermoplastic PBT, UL94V-0
IMPELLER	Thermoplastic PBT, UL94V-0
BEARING	Ball
OPERATING TEMPERATURE	-10°C to + 60°C
INSULATION RESISTANCE	10 M Ohms Min. @500 VDC
DIELECTRIC STRENGTH	5 mA Max. at 500 VAC 60Hz for 1 minute
WEIGHT	140g
ROHS COMPLIANCE	Yes

92mm

92mm

DC Fans & Blowers

DIMENSION



UNIT:mm[inch]

SPECIFICATION

MODEL NO.	RATED VOLTAGE (V)	RATED CURRENT (A)	INPUT POWER (W)	SPEED (RPM)	MAX. AIR PRESSURE		MAX. AIR FLOW		NOISE dB(A) @1M
					inchH ₂ O	mmH ₂ O	CFM	m ³ /min	
D9232V12SLB-A	12	0.45	5.40	3900	0.37	9.42	77	2.17	50
D9232V12HB-A	12	0.36	4.32	3500	0.28	7.21	68	1.92	44
D9232V12MB-A	12	0.24	2.88	3000	0.18	4.80	58	1.64	39
D9232V12LB-A	12	0.16	1.92	2500	0.14	3.60	48	1.35	34
D9232V24HB-A	24	0.21	5.04	3500	0.28	7.21	68	1.92	44
D9232V24MB-A	24	0.14	3.36	3000	0.18	4.80	58	1.64	39
D9232V24LB-A	24	0.08	1.92	2500	0.14	3.60	48	1.35	34

AIR PERFORMANCE

