

D9238D-A



92x92x38mm
(3.62"x3.62"x1.50")



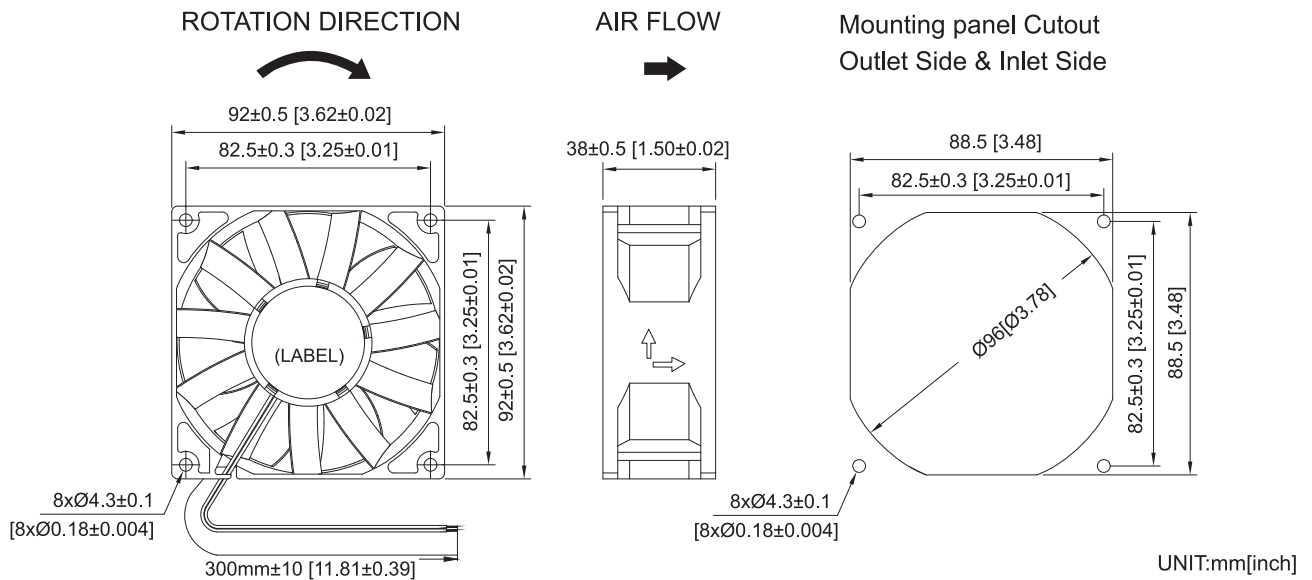
HOUSING Thermoplastic PBT, UL94V-0
 IMPELLER Thermoplastic PBT, UL94V-0
 BEARING Ball
 OPERATING TEMPERATURE -10°C to + 60°C
 INSULATION RESISTANCE 10M Ohms Min. @500 VDC
 DIELECTRIC STRENGTH 5 mA Max. at 500 VAC 60Hz for 1 minute
 WEIGHT 190g
 ROHS COMPLIANCE Yes

92mm

92mm

DC Fans & Blowers

DIMENSION



SPECIFICATION

MODEL NO.	RATED VOLTAGE (V)	RATED CURRENT (A)	INPUT POWER (W)	SPEED (RPM)	MAX. AIR PRESSURE		MAX. AIR FLOW		NOISE dB(A) @1M
					inchH ₂ O	mmH ₂ O	CFM	m ³ /min	
D9238V12SHBD-A	12	2.20	26.40	6000	0.93	23.6	149	4.21	62
D9238V12SMBD-A	12	1.33	15.96	5400	0.74	18.8	135	3.82	58
D9238V12SLBD-A	12	0.91	10.92	4800	0.59	14.9	118	3.34	55
D9238V12HBD-A	12	0.71	8.52	4400	0.50	12.7	108	3.05	52
D9238V24SMBD-A	24	0.65	15.60	5400	0.74	18.8	135	3.82	58
D9238V24SLBD-A	24	0.47	11.28	4800	0.59	14.9	118	3.34	55
D9238V24HBD-A	24	0.33	7.92	4400	0.50	12.7	108	3.05	52
D9238V48SMBD-A	48	0.35	16.80	5400	0.74	18.8	135	3.82	58
D9238V48SLBD-A	48	0.25	12.00	4800	0.59	14.9	118	3.34	55
D9238V48HBD-A	48	0.18	8.64	4400	0.50	12.7	108	3.05	52

AIR PERFORMANCE

