

D9238D-CT



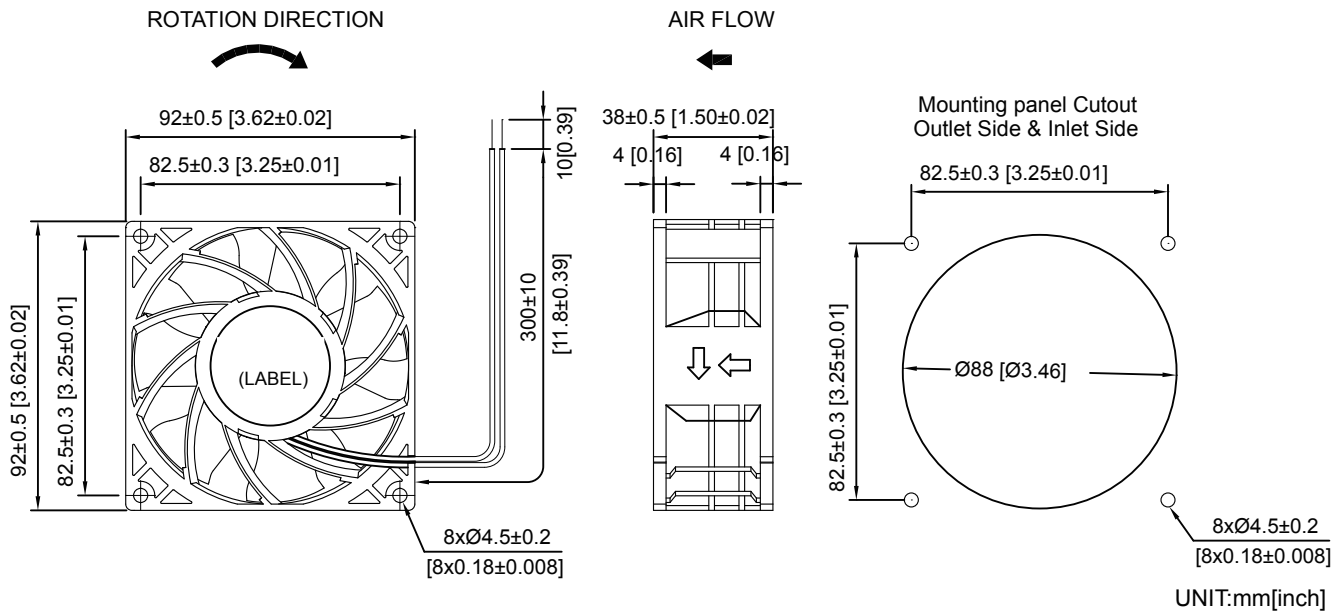
92x92x38mm
(3.62"x3.62"x1.50")



HOUSING
IMPELLER
BEARING
OPERATING TEMPERATURE
INSULATION RESISTANCE
DIELECTRIC STRENGTH
WEIGHT
ROHS COMPLIANCE

Thermoplastic PBT, UL94V-0
Thermoplastic PBT, UL94V-0
Ball
-10°C to + 70°C
10M Ohms Min. @500 VDC
5mA Max. at 500VAC 60Hz for 1 second
200g
Yes

DIMENSION



SPECIFICATION

MODEL NO.	RATED VOLTAGE (V)	RATED CURRENT (A)	INPUT POWER (W)	SPEED (RPM)	MAX. AIR PRESSURE		MAX. AIR FLOW		NOISE dB(A) @1M
					inchH ₂ O	mmH ₂ O	CFM	m ³ /min	
D9238V12SLBD-CT	12	4.00	48	8000	1.91	48.40	166.37	4.71	68.4
D9238V12HBD-CT	12	2.20	26.4	7000	1.46	37.06	145.57	4.12	68.4
D9238V48HBD-CT	48	0.51	24.48	7000	1.46	37.06	145.57	4.12	68.4

AIR PERFORMANCE

