

# DB1804

18x18x4mm  
(0.71"x0.71"x0.16")



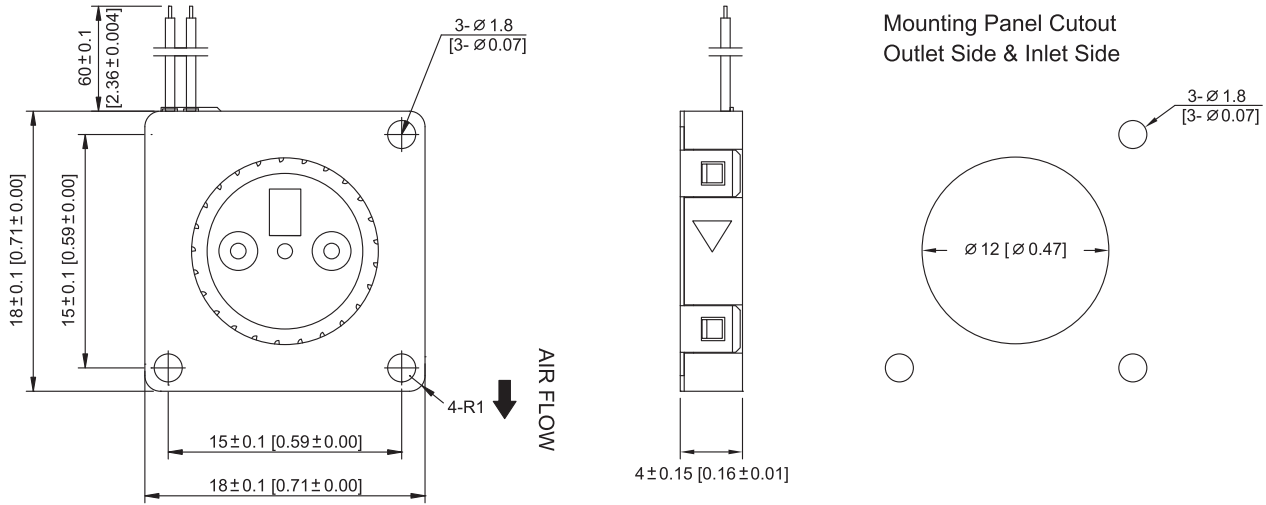
HOUSING  
IMPELLER  
BEARING  
OPERATING TEMPERATURE  
INSULATION RESISTANCE  
DIELECTRIC STRENGTH  
WEIGHT  
ROHS COMPLIANCE  
APPLICATIONS

Liquid Crystalline Polymer  
Thermoplastic PBT, UL94V-0  
Sleeve  
-10°C to +60°C  
10M Ohms Min. @500 VDC  
5 mA Max. at 500 VAC 60Hz for 1 minute  
1.7g  
Yes  
Video processing chipset, high-speed memory module, high-end smart phone, PDA, CCTV, mini projector, MID, Smartbook and so on

# 18mm

18mm

## DIMENSION



UNIT:mm[inch]

## SPECIFICATION

MODEL NO.	RATED VOLTAGE (V)	RATED CURRENT (A)	INPUT POWER (W)	SPEED (RPM)	MAX. AIR PRESSURE		MAX. AIR FLOW		NOISE dB(A) @1M
					inchH <sub>2</sub> O	mmH <sub>2</sub> O	CFM	m <sup>3</sup> /min	
DB1804V3HS	3.3	0.030	0.099	7000	0.096	2.44	0.14	0.003	25
DB1804V5HS	5.0	0.045	0.225	11000	0.203	5.16	0.20	0.005	35

## AIR PERFORMANCE

