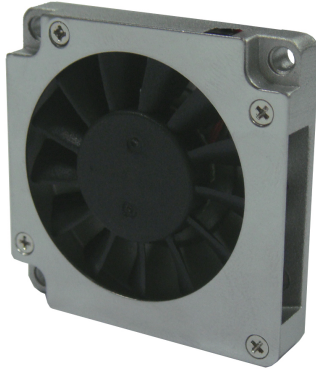


DB3507



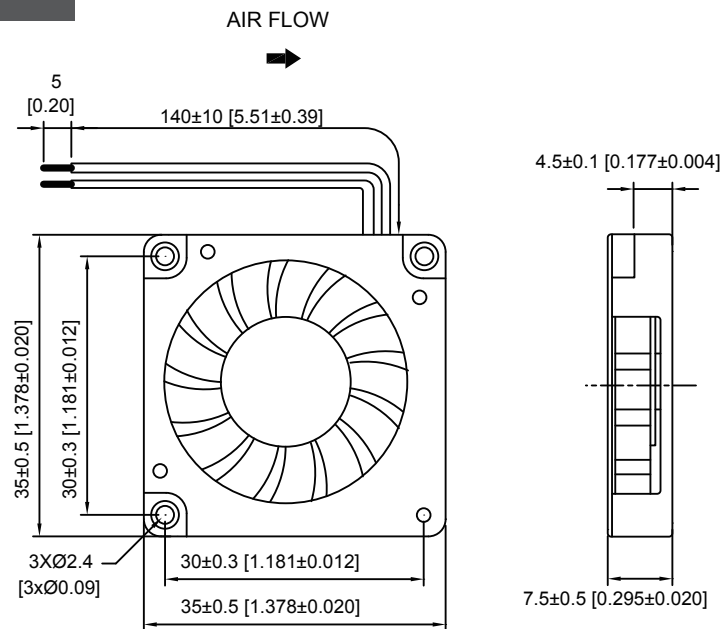
35x35x7.5mm
(1.38"x1.38"x0.3")



HOUSING
IMPELLER
BEARING
OPERATING TEMPERATURE
INSULATION RESISTANCE
DIELECTRIC STRENGTH
WEIGHT
ROHS COMPLIANCE

Aluminum Alloy
Thermoplastic PBT, UL94V-0
One Ball One Sleeve
-10°C to + 60°C
10M Ohms Min. @500VDC
5 mA Max. at 500 VAC 60Hz for 1 minute
13g
Yes

DIMENSION



UNIT:mm[inch]

SPECIFICATION

MODEL NO.	RATED VOLTAGE (V)	RATED CURRENT (A)	INPUT POWER (W)	SPEED (RPM)	MAX. AIR PRESSURE		MAX. AIR FLOW		NOISE dB(A) @1M
					inchH ₂ O	mmH ₂ O	CFM	m ³ /min	
DB3507V5HO	5	0.20	1.00	7500	0.260	6.51	1.20	0.034	28.3
DB3507V5MO	5	0.15	0.75	6500	0.174	4.42	1.11	0.031	23.0
DB3507V5LO	5	0.10	0.50	5500	0.126	3.20	0.90	0.025	19.0
DB3507V12MO	12	0.10	1.20	6500	0.174	4.42	1.11	0.031	25.5

AIR PERFORMANCE

