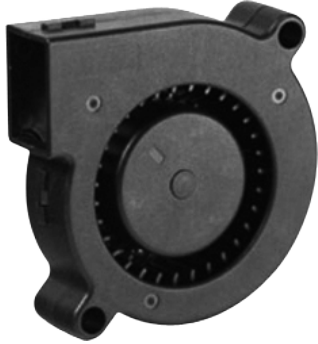


# DB5015

51x51x15mm  
(2.0"x2.0"x0.59")



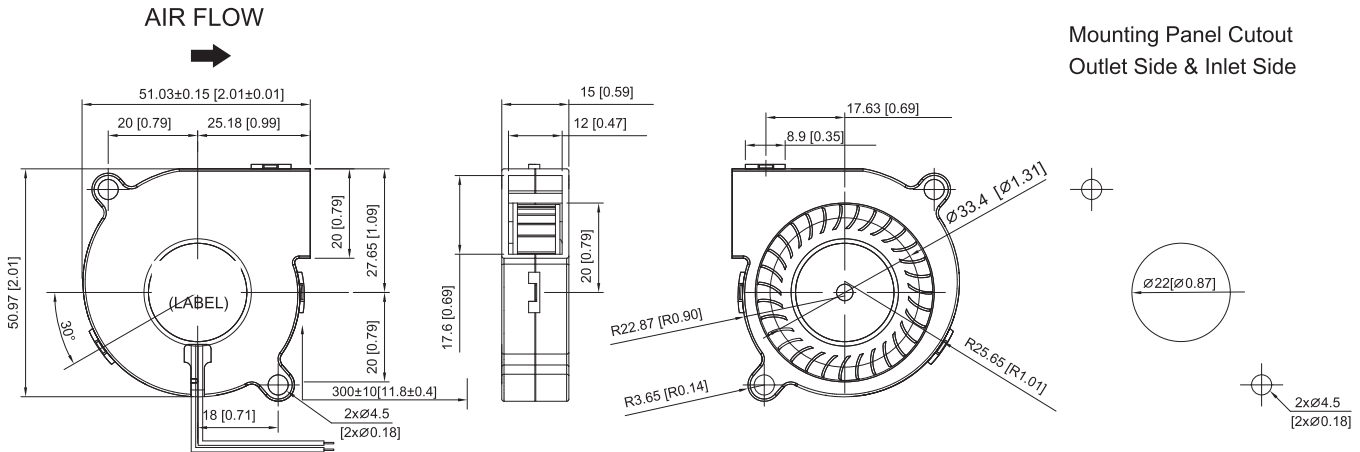
HOUSING Thermoplastic PBT, UL94V-0  
 IMPELLER Thermoplastic PBT, UL94V-0  
 BEARING Ball  
 OPERATING TEMPERATURE -10°C to +60°C  
 INSULATION RESISTANCE 10M Ohms Min. @500 VDC  
 DIELECTRIC STRENGTH 5 mA Max. at 500 VAC 60Hz for  
 WEIGHT 28g  
 ROHS COMPLIANCE Yes

# 50<sub>mm</sub>

50mm

DC Fans & Blowers

## DIMENSION



UNIT:mm[inch]

## SPECIFICATION

MODEL NO.	RATED VOLTAGE (V)	RATED CURRENT (A)	INPUT POWER (W)	SPEED (RPM)	MAX. AIR PRESSURE		MAX. AIR FLOW		NOISE dB(A)@1M
					inchH <sub>2</sub> O	mmH <sub>2</sub> O	CFM	m <sup>3</sup> /min	
DB5015V5MB	5	0.350	1.75	5500	0.78	19.9	5.1	0.14	38
DB5015V5LB	5	0.170	0.85	4500	0.64	16.3	4.2	0.12	34
DB5015V12SHB	12	0.290	3.48	7500	1.29	32.8	6.7	0.19	48
DB5015V12HB	12	0.230	2.76	6500	0.83	21.2	5.7	0.16	42
DB5015V12MB	12	0.160	1.92	5500	0.78	19.9	5.1	0.14	38
DB5015V12LB	12	0.095	1.14	4500	0.64	16.3	4.2	0.12	34
DB5015V24SHB	24	0.180	4.32	7500	1.29	32.8	6.7	0.19	48
DB5015V24HB	24	0.120	2.88	6500	0.83	21.2	5.7	0.16	42
DB5015V24MB	24	0.085	2.04	5500	0.78	19.9	5.1	0.14	38
DB5015V24LB	24	0.060	1.44	4500	0.64	16.3	4.2	0.12	34

## AIR PERFORMANCE

