

DB7630

75.7x75.7x30mm
(2.98"x2.98"x1.18")



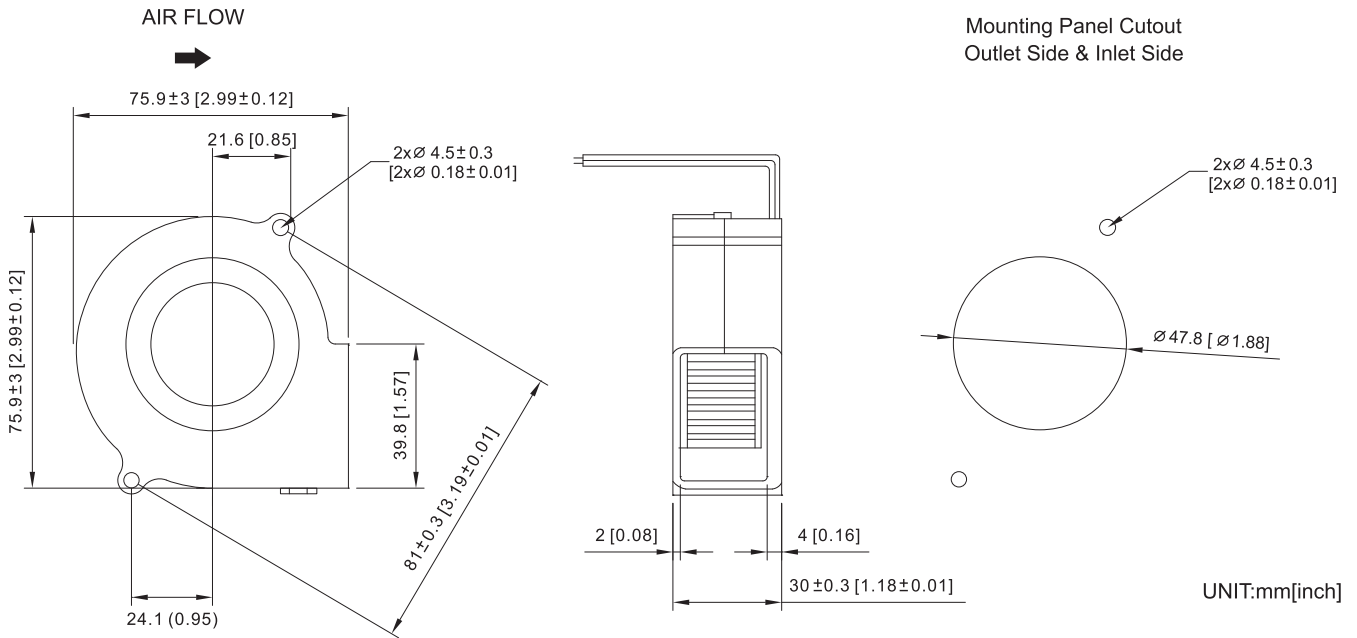
HOUSING	Thermoplastic PBT, UL94V-0
IMPELLER	Thermoplastic PBT, UL94V-0
BEARING	Ball or Sleeve
OPERATING TEMPERATURE	-10°C to +60°C
INSULATION RESISTANCE	10M Ohms Min. @500 VDC
DIELECTRIC STRENGTH	5 mA Max. at 500 VAC 60Hz for 1 minute
WEIGHT	95g
ROHS COMPLIANCE	Yes

76mm

76mm

DC Fans & Blowers

DIMENSION



SPECIFICATION

MODEL NO.	RATED VOLTAGE (V)	RATED CURRENT (A)	INPUT POWER (W)	SPEED (RPM)	MAX. AIR PRESSURE		MAX. AIR FLOW		NOISE dB(A) @1M
					inchH ₂ O	mmH ₂ O	CFM	m ³ /min	
DB7630V12SH	12	0.25	3.00	3100	0.41	10.50	11.50	0.33	41
DB7630V12H	12	0.20	2.40	2600	0.25	6.33	8.94	0.25	35
DB7630V12M	12	0.10	1.20	2000	0.14	3.50	6.20	0.18	23
DB7630V24H	24	0.12	2.88	2600	0.25	6.33	8.94	0.25	35

AIR PERFORMANCE

