

MB1608 SERIES ~

Multilayer Chip Suppressions / Chip Beads



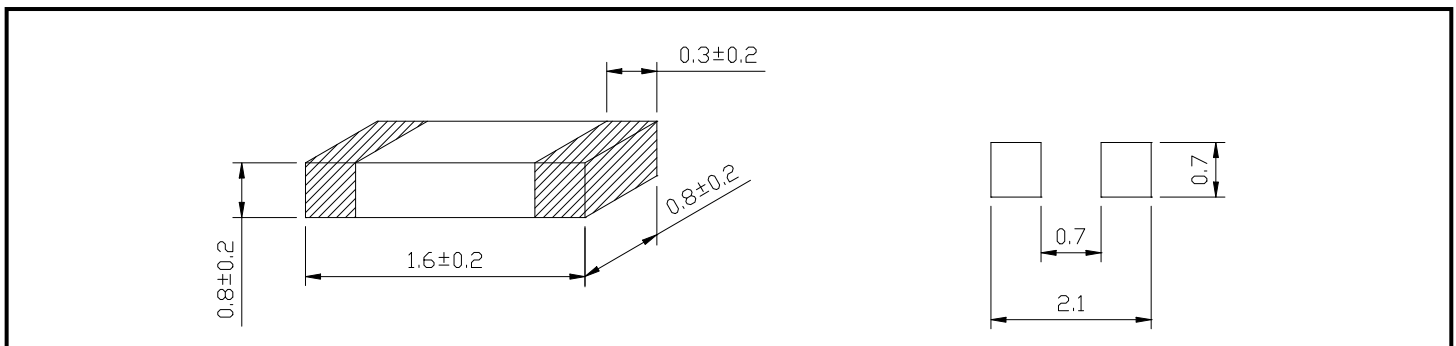
RoHS Compliant

PART NUMBERING SYSTEM

| | | | | | |
|-----------|-------------|---|------------|---|-----------|
| <u>MB</u> | <u>1608</u> | — | <u>121</u> | — | <u>LF</u> |
| TYPE | DIMENSIONS | | IMPEDANCE | | LEAD FREE |

SHAPES AND DIMENSIONS

UNIT : mm



SPECIFICATION TABLE

| PART NUMBER | IMPEDANCE (Ω) at 100MHz | DCR (Ω) (max) | IDC (mA) (max) |
|---------------|-------------------------------------|---------------------------|-------------------|
| MB1608-190-LF | 19±25% | 0.10 | 400 |
| MB1608-310-LF | 31±25% | 0.10 | 400 |
| MB1608-520-LF | 52±25% | 0.15 | 400 |
| MB1608-600-LF | 60±25% | 0.15 | 400 |
| MB1608-800-LF | 80±25% | 0.15 | 400 |
| MB1608-101-LF | 100±25% | 0.15 | 400 |
| MB1608-121-LF | 120±25% | 0.15 | 400 |
| MB1608-151-LF | 150±25% | 0.15 | 400 |
| MB1608-181-LF | 180±25% | 0.20 | 400 |
| MB1608-201-LF | 200±25% | 0.20 | 400 |
| MB1608-221-LF | 220±25% | 0.20 | 400 |
| MB1608-301-LF | 300±25% | 0.30 | 400 |
| MB1608-401-LF | 400±25% | 0.30 | 400 |
| MB1608-451-LF | 450±25% | 0.30 | 400 |
| MB1608-601-LF | 600±25% | 0.35 | 400 |
| MB1608-751-LF | 750±25% | 0.35 | 400 |
| MB1608-102-LF | 1000±25% | 0.55 | 300 |
| MB1608-152-LF | 1500±25% | 0.60 | 200 |
| MB1608-182-LF | 1800±25% | 1.00 | 100 |
| MB1608-202-LF | 2000±25% | 1.00 | 50 |

- Test equipment : Agilent/HP-4291A impedance analyzer or equipment .
- Operating temperature range -55°C to +125°C , Electrical specifications at 25°C.

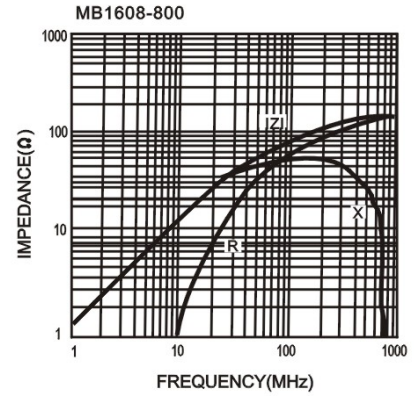
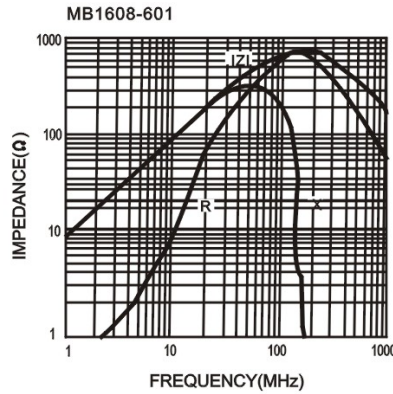
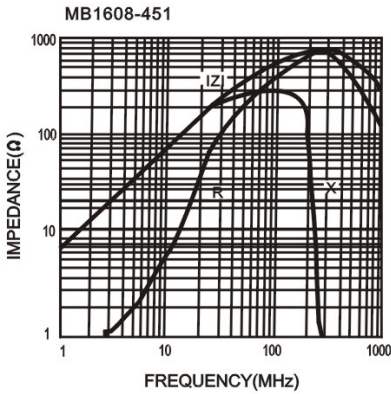
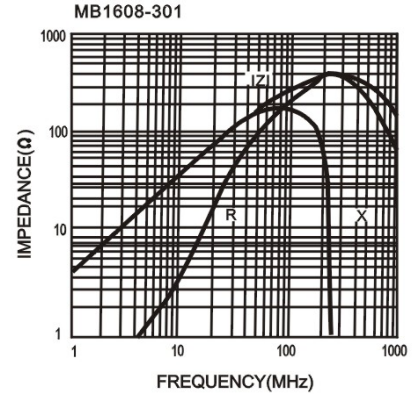
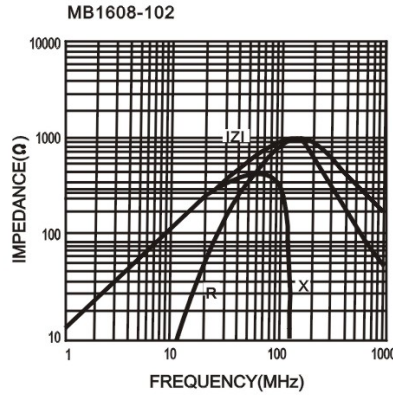
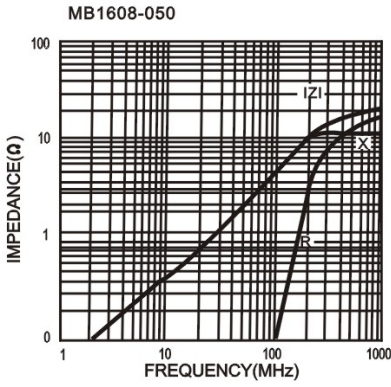
MB1608 SERIES ~

Multilayer Chip Suppressions / Chip Beads

IMPEDANCE vs FREQUENCY



RoHS Compliant



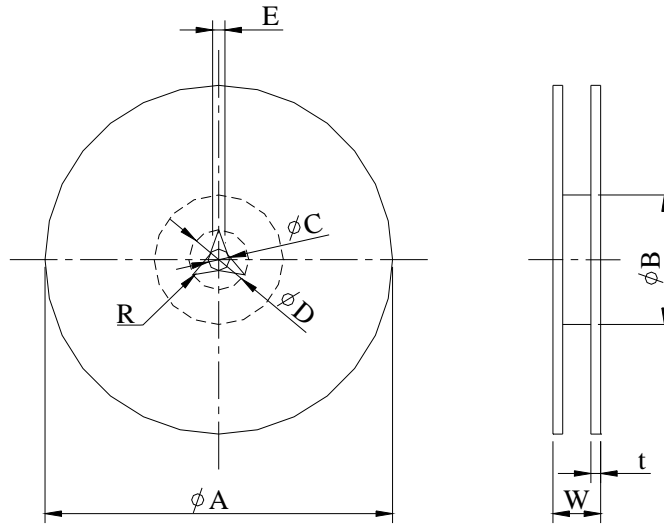
MB1608 SERIES ~

Multilayer Chip Suppressions / Chip Beads

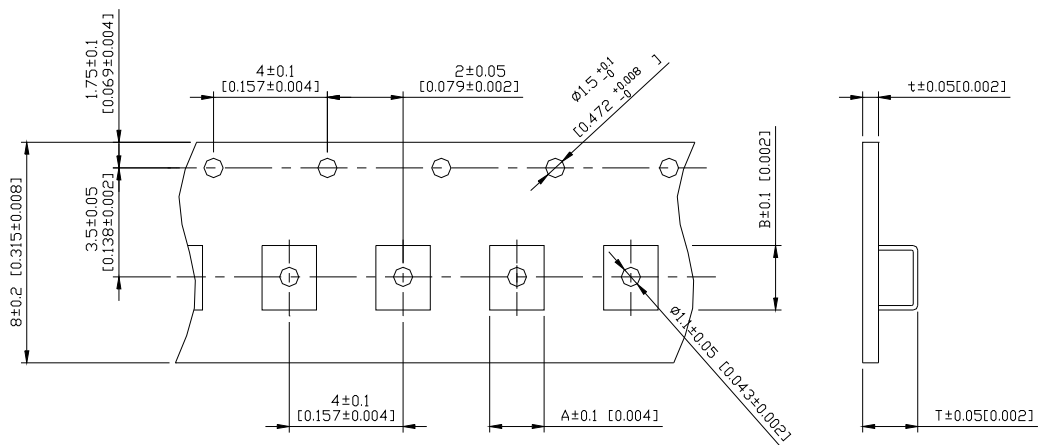
PACKAGING SPECIFICATION



RoHS Compliant



| | A | B | C | D | E | W8 | W12 | t | R |
|--------------------------|--------------------|-------------------|---------------------|---------------------|---|--------------|----------------|----------------|---|
| T(ϕ 178mm) Reel | ϕ 178 \pm 2 | ϕ 60 \pm 1 | ϕ 13 \pm 0.8 | ϕ 21 \pm 0.8 | 2 | 10 \pm 1.5 | 14.5 \pm 1.5 | 1.27 \pm 0.2 | 1 |



| TYPE | A | B | T | t | T(ϕ 178mm) | T(ϕ 330mm) |
|--------|------|------|------|-----|------------------|------------------|
| MB1608 | 1.10 | 1.90 | 1.10 | 0.2 | 4000 pcs/reel | - |