

MB4532 SERIES ~

Multilayer Chip Suppressions / Chip Beads



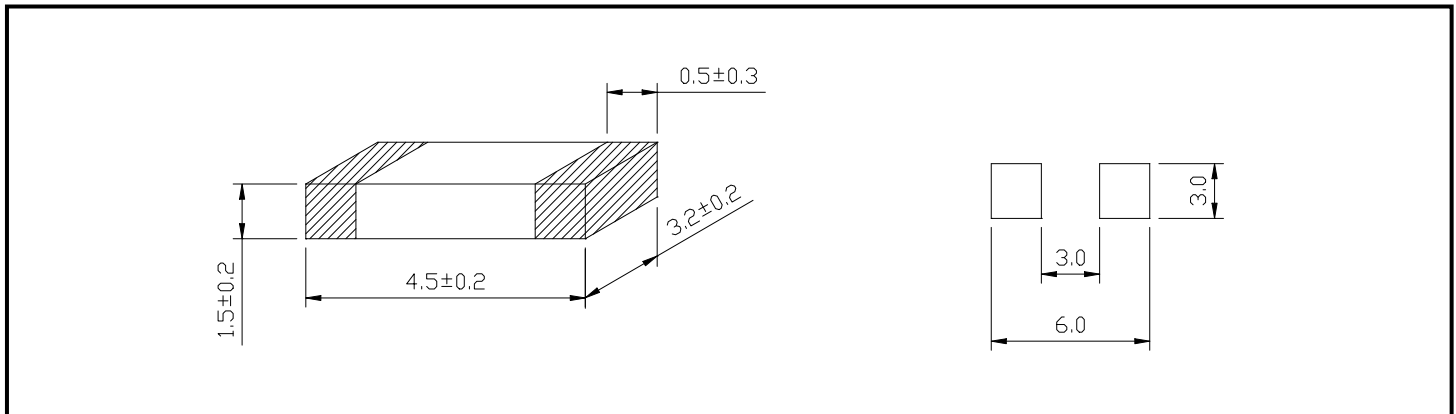
RoHS Compliant

PART NUMBERING SYSTEM

<u>MB</u>	<u>4532</u>	—	<u>700</u>	—	<u>LF</u>
TYPE	DIMENSIONS		IMPEDANCE		LEAD FREE

SHAPES AND DIMENSIONS

UNIT : mm



SPECIFICATION TABLE

PART NUMBER	IMPEDANCE (Ω) at 100MHz	DCR (Ω) (max)	IDC (mA) (max)
MB4532-310-LF	31±25%	0.10	500
MB4532-600-LF	60±25%	0.20	500
MB4532-700-LF	70±25%	0.20	500
MB4532-121-LF	120±25%	0.20	500
MB4532-151-LF	150±25%	0.20	500

- Test equipment : Agilent/HP-4291A impedance analyzer or equipment .
- Operating temperature range -55°C to +125°C , Electrical specifications at 25°C.

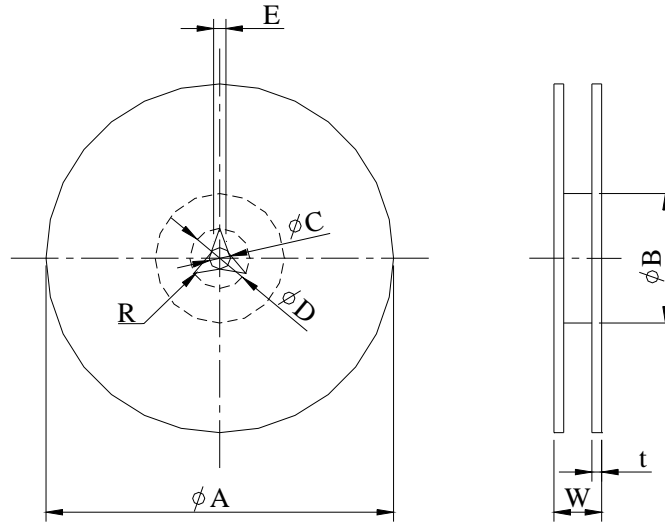
MB4532 SERIES ~

Multilayer Chip Suppressions / Chip Beads

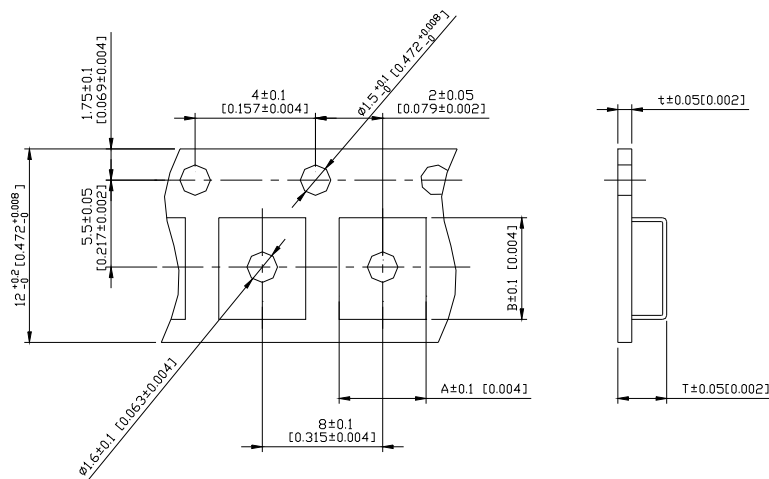
PACKAGING SPECIFICATION



RoHS Compliant



	A	B	C	D	E	W8	W12	t	R
T($\phi 178\text{mm}$) Reel	$\phi 178\pm 2$	$\phi 60\pm 1$	$\phi 13\pm 0.8$	$\phi 21\pm 0.8$	2	10 ± 1.5	14.5 ± 1.5	1.27 ± 0.2	1



TYPE	A	B	T	t	T($\phi 178\text{mm}$)	T($\phi 330\text{mm}$)
MB4532	3.60	4.90	2.05	0.3	1000 pcs/reel	-