

# AL0410 SERIES ~ Axial Leaded Inductors



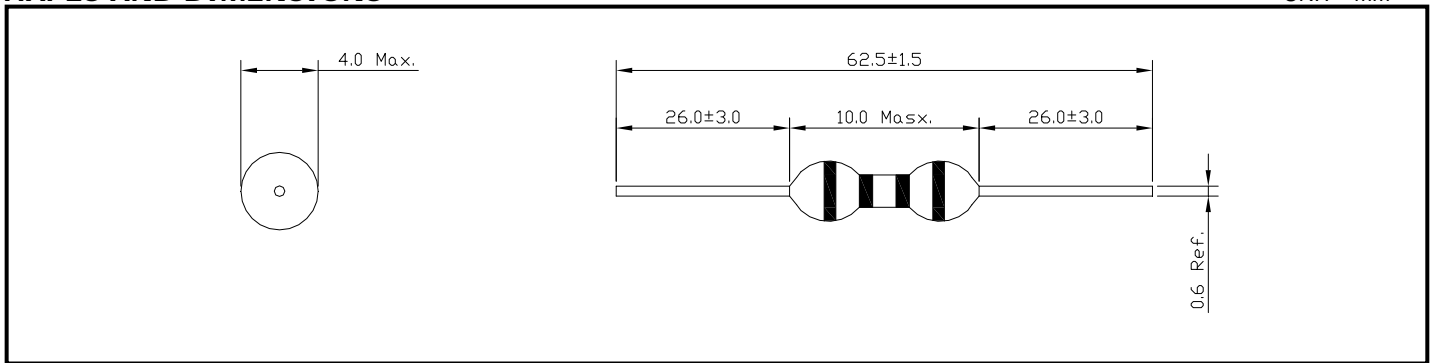
RoHS Compliant

## PART NUMBERING SYSTEM

<u><b>A L</b></u>	<u><b>0 4 1 0</b></u>	—	<u><b>R 1 0 M</b></u>	—	<u><b>L F</b></u>
TYPE	DIMENSIONS		INDUCTANCE		LEAD FREE

## SHAPES AND DIMENSIONS

UNIT : mm





RoHS Compliant

## AL0410 SERIES ~ Axial Leaded Inductors

**SPECIFICATION TABLE**

PART NUMBER	INDUCTANCE ( $\mu$ H)	Q (min)	DCR ( $\Omega$ ) (max)	IDC (mA) (max)	SRF(MHz) (min)	TEST FREQ. (f)
AL0410-R10M-LF	0.10 $\pm$ 20%	25	0.060	1700	480	25.2MHz
AL0410-R12M-LF	0.12 $\pm$ 20%	25	0.060	1640	450	25.2MHz
AL0410-R15M-LF	0.15 $\pm$ 20%	25	0.070	1560	420	25.2MHz
AL0410-R18M-LF	0.18 $\pm$ 20%	25	0.070	1480	400	25.2MHz
AL0410-R22M-LF	0.22 $\pm$ 20%	25	0.080	1400	380	25.2MHz
AL0410-R27M-LF	0.27 $\pm$ 20%	25	0.090	1320	340	25.2MHz
AL0410-R33M-LF	0.33 $\pm$ 20%	25	0.100	1280	300	25.2MHz
AL0410-R39M-LF	0.39 $\pm$ 20%	25	0.120	1200	280	25.2MHz
AL0410-R47M-LF	0.47 $\pm$ 20%	25	0.130	1150	250	25.2MHz
AL0410-R56M-LF	0.56 $\pm$ 20%	25	0.140	1100	230	25.2MHz
AL0410-R68M-LF	0.68 $\pm$ 20%	25	0.150	1030	210	25.2MHz
AL0410-R82M-LF	0.82 $\pm$ 20%	45	0.160	980	172	25.2MHz
AL0410-1R0K-LF	1.00 $\pm$ 10%	45	0.170	920	157	25.2MHz
AL0410-1R2K-LF	1.20 $\pm$ 10%	50	0.180	880	144	7.96MHz
AL0410-1R5K-LF	1.50 $\pm$ 10%	50	0.200	830	131	7.96MHz
AL0410-1R8K-LF	1.80 $\pm$ 10%	55	0.220	790	121	7.96MHz
AL0410-2R2K-LF	2.20 $\pm$ 10%	55	0.240	750	110	7.96MHz
AL0410-2R7K-LF	2.70 $\pm$ 10%	60	0.250	720	100	7.96MHz
AL0410-3R3K-LF	3.30 $\pm$ 10%	65	0.300	670	94	7.96MHz
AL0410-3R9K-LF	3.90 $\pm$ 10%	65	0.350	640	86	7.96MHz
AL0410-4R7K-LF	4.70 $\pm$ 10%	70	0.400	620	80	7.96MHz
AL0410-5R6K-LF	5.60 $\pm$ 10%	70	0.450	590	74	7.96MHz
AL0410-6R8K-LF	6.80 $\pm$ 10%	75	0.500	550	68	7.96MHz
AL0410-8R2K-LF	8.20 $\pm$ 10%	80	0.600	530	53	7.96MHz
AL0410-100K-LF	10.0 $\pm$ 10%	80	0.650	500	45	7.96MHz



RoHS Compliant

## AL0410 SERIES ~ Axial Leaded Inductors

**SPECIFICATION TABLE**

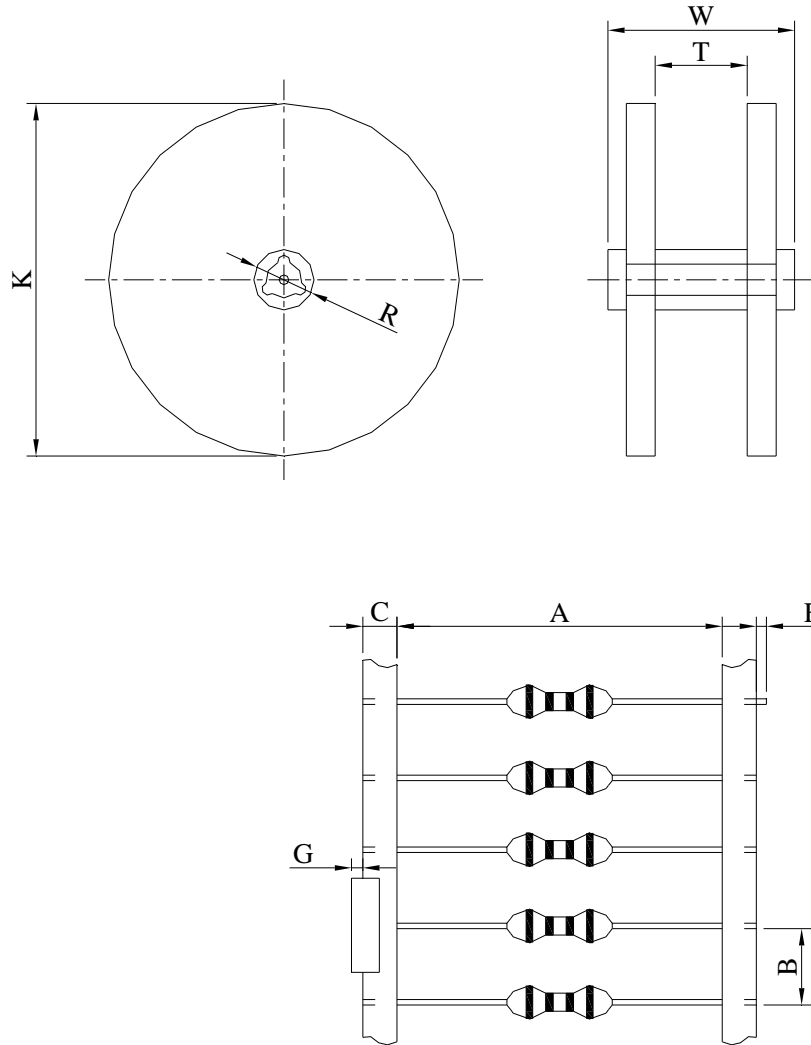
PART NUMBER	INDUCTANCE ( $\mu$ H)	Q (min)	DCR ( $\Omega$ ) (max)	IDC (mA) (max)	SRF(MHz) (min)	TEST FREQ. (f)
AL0410-120K-LF	12.0 $\pm$ 10%	75	0.700	480	34	2.52MHz
AL0410-150K-LF	15.0 $\pm$ 10%	70	0.750	460	20	2.52MHz
AL0410-180K-LF	18.0 $\pm$ 10%	65	0.800	430	14	2.52MHz
AL0410-220K-LF	22.0 $\pm$ 10%	50	0.900	410	9.9	2.52MHz
AL0410-270K-LF	27.0 $\pm$ 10%	55	1.000	390	7.6	2.52MHz
AL0410-330K-LF	33.0 $\pm$ 10%	55	1.100	370	6.3	2.52MHz
AL0410-390K-LF	39.0 $\pm$ 10%	50	1.200	350	6.3	2.52MHz
AL0410-470K-LF	47.0 $\pm$ 10%	45	1.300	340	6.3	2.52MHz
AL0410-560K-LF	56.0 $\pm$ 10%	40	1.500	320	6.2	2.52MHz
AL0410-680K-LF	68.0 $\pm$ 10%	40	1.800	305	5.7	2.52MHz
AL0410-820K-LF	82.0 $\pm$ 10%	35	2.000	290	5.3	2.52MHz
AL0410-101K-LF	100 $\pm$ 10%	30	2.500	275	4.8	2.52MHz
AL0410-121K-LF	120 $\pm$ 10%	70	3.000	185	3.8	0.796MHz
AL0410-151K-LF	150 $\pm$ 10%	60	4.200	175	3.5	0.796MHz
AL0410-181K-LF	180 $\pm$ 10%	70	4.600	165	3.3	0.796MHz
AL0410-221K-LF	220 $\pm$ 10%	70	5.100	155	3.0	0.796MHz
AL0410-271K-LF	270 $\pm$ 10%	65	6.000	145	2.8	0.796MHz
AL0410-331K-LF	330 $\pm$ 10%	65	6.500	137	2.6	0.796MHz
AL0410-391K-LF	390 $\pm$ 10%	65	7.500	133	2.4	0.796MHz
AL0410-471K-LF	470 $\pm$ 10%	60	8.500	126	2.2	0.796MHz
AL0410-561K-LF	560 $\pm$ 10%	60	9.500	120	2.1	0.796MHz
AL0410-681K-LF	680 $\pm$ 10%	55	12.000	113	1.9	0.796MHz
AL0410-821K-LF	820 $\pm$ 10%	55	14.000	105	1.8	0.796MHz
AL0410-102K-LF	1000 $\pm$ 10%	50	20.000	85	1.4	0.796MHz

**AL0410 SERIES ~ Axial Leaded Inductors**



RoHS Compliant

**PACKAGING SPECIFICATION**



SERIES	STAYLE	Q' TY (PCS)	DIMENSIONS (m/m)								
			K	T	W	R	A	B	C	F <sup>+0</sup>	G
AL0410		5000	355	66	72	17.5	52±1.0	5±0.5	6±1.0	0.8	1.0