

RCB0810 SERIES ~ Power Inductors



RoHS Compliant

PART NUMBERING SYSTEM

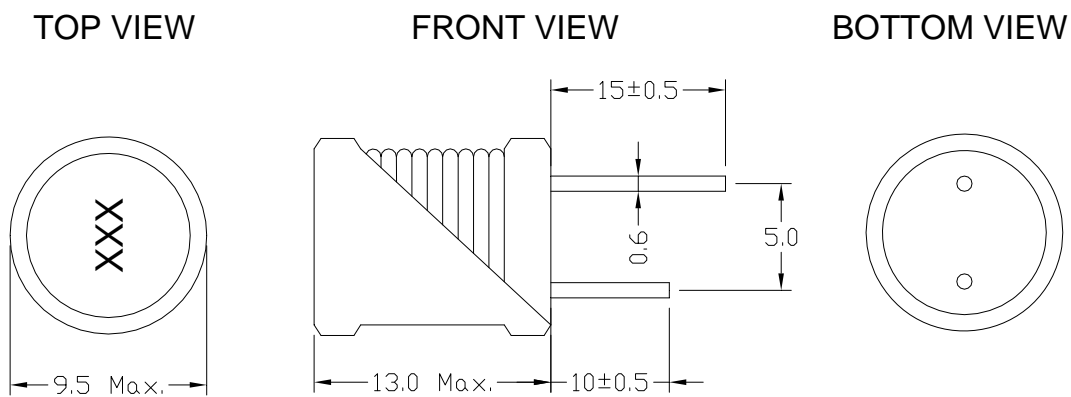
| | | | | | |
|------------|--------------|---|-------------|---|-----------|
| RCB | 0810P | — | 101K | — | LF |
| TYPE | DIMENSIONS | | INDUCTANCE | | LEAD FREE |

U : UL Tube

P : PET Tube

SHAPES AND DIMENSIONS

UNIT : mm



STRUCTURAL DIAGRAM :

| | COMPONENT | MATERIALS |
|--|-------------|------------------------------------|
| | 1.Core | Ferrite core |
| | 2.Wire | Polyurethane enameled copper wires |
| | 3.Lead wire | Tinned copper wires |
| | 4.Tube | Heat shrinkable tube, PET or UL |
| | 5.Glue | Epoxy resin |

FEATURES :

1. **Low cost, high efficiency** option for choke applications
2. Inductance values from **1.0uH to 100 mH**
3. Current ratings **up to 3.4 Amps**
4. Industry standard **5 mm lead spacing** , PET /UL sleeve protects the winding

RCB0810 SERIES ~ Power Inductors



RoHS Compliant

SPECIFICATION TABLE

| PART NUMBER | INDUCTANCE (μ H) | Q (min) | DCR (Ω) (max) | IDC (mA) (max) | SRF(MHz) (min) | TEST FREQ. (f) |
|-----------------|--------------------------|------------|---------------------------|-------------------|-------------------|-------------------|
| RCB0810-1R0M-LF | 1.0 | 90 | 0.02 | 3400 | 100 | 7.96MHz |
| RCB0810-1R2M-LF | 1.2 | 90 | 0.02 | 3400 | 90 | 7.96MHz |
| RCB0810-1R5M-LF | 1.5 | 95 | 0.02 | 3400 | 80 | 7.96MHz |
| RCB0810-1R8M-LF | 1.8 | 95 | 0.03 | 3300 | 75 | 7.96MHz |
| RCB0810-2R2M-LF | 2.2 | 100 | 0.03 | 3000 | 70 | 7.96MHz |
| RCB0810-2R7M-LF | 2.7 | 110 | 0.04 | 3000 | 60 | 7.96MHz |
| RCB0810-3R3M-LF | 3.3 | 110 | 0.04 | 3000 | 56 | 7.96MHz |
| RCB0810-3R9M-LF | 3.9 | 110 | 0.05 | 2900 | 52 | 7.96MHz |
| RCB0810-4R7M-LF | 4.7 | 110 | 0.05 | 2900 | 30 | 7.96MHz |
| RCB0810-5R6M-LF | 5.6 | 110 | 0.06 | 2600 | 30 | 7.96MHz |
| RCB0810-6R8M-LF | 6.8 | 90 | 0.06 | 2500 | 20 | 7.96MHz |
| RCB0810-8R2M-LF | 8.2 | 80 | 0.06 | 2000 | 17 | 7.96MHz |
| RCB0810-100K-LF | 10 | 90 | 0.10 | 1600 | 12 | 2.52MHz |
| RCB0810-120K-LF | 12 | 90 | 0.10 | 1400 | 11 | 2.52MHz |
| RCB0810-150K-LF | 15 | 90 | 0.10 | 1300 | 10 | 2.52MHz |
| RCB0810-180K-LF | 18 | 80 | 0.11 | 1200 | 9.0 | 2.52MHz |
| RCB0810-220K-LF | 22 | 70 | 0.13 | 1100 | 8.0 | 2.52MHz |
| RCB0810-270K-LF | 27 | 70 | 0.14 | 1000 | 7.0 | 2.52MHz |
| RCB0810-330K-LF | 33 | 70 | 0.16 | 900 | 7.0 | 2.52MHz |
| RCB0810-390K-LF | 39 | 70 | 0.16 | 800 | 6.0 | 2.52MHz |
| RCB0810-470K-LF | 47 | 70 | 0.16 | 700 | 5.5 | 2.52MHz |
| RCB0810-560K-LF | 56 | 60 | 0.22 | 700 | 5.5 | 2.52MHz |
| RCB0810-680K-LF | 68 | 60 | 0.23 | 600 | 5.0 | 2.52MHz |
| RCB0810-820K-LF | 82 | 60 | 0.27 | 500 | 4.5 | 2.52MHz |
| RCB0810-101K-LF | 100 | 40 | 0.29 | 400 | 4.5 | 796KHz |
| RCB0810-121K-LF | 120 | 40 | 0.33 | 400 | 4.5 | 796KHz |
| RCB0810-151K-LF | 150 | 40 | 0.46 | 350 | 4.5 | 796KHz |
| RCB0810-181K-LF | 180 | 40 | 0.51 | 350 | 4.0 | 796KHz |
| RCB0810-221K-LF | 220 | 40 | 0.62 | 300 | 3.5 | 796KHz |
| RCB0810-271K-LF | 270 | 30 | 0.65 | 250 | 3.0 | 796KHz |



RoHS Compliant

RCB0810 SERIES ~ Power Inductors

SPECIFICATION TABLE

| PART NUMBER | INDUCTANCE (μ H) | Q (min) | DCR (Ω) (max) | IDC (mA) (max) | SRF(MHz) (min) | TEST FREQ. (f) |
|-----------------|--------------------------|------------|---------------------------|---------------------|-------------------|---------------------|
| RCB0810-331K-LF | 330 | 30 | 0.79 | 250 | 3.0 | 796MHz |
| RCB0810-391K-LF | 390 | 30 | 0.91 | 200 | 2.5 | 796MHz |
| RCB0810-471K-LF | 470 | 30 | 1.2 | 180 | 2.5 | 796MHz |
| RCB0810-561K-LF | 560 | 30 | 1.2 | 160 | 2.0 | 796MHz |
| RCB0810-681K-LF | 680 | 30 | 1.5 | 140 | 2.0 | 796MHz |
| RCB0810-821K-LF | 820 | 25 | 1.7 | 140 | 2.0 | 796MHz |
| RCB0810-102K-LF | 1000 | 50 | 2.0 | 120 | 2.0 | 252MHz |
| RCB0810-122K-LF | 1200 | 45 | 2.3 | 100 | 1.5 | 252MHz |
| RCB0810-152K-LF | 1500 | 45 | 2.9 | 80 | 1.5 | 252MHz |
| RCB0810-182K-LF | 1800 | 45 | 3.5 | 80 | 1.5 | 252MHz |
| RCB0810-222K-LF | 2200 | 50 | 4.2 | 70 | 1.0 | 252MHz |
| RCB0810-272K-LF | 2700 | 50 | 5.1 | 60 | 1.0 | 252MHz |
| RCB0810-332K-LF | 3300 | 50 | 6.1 | 60 | 0.9 | 252MHz |
| RCB0810-392K-LF | 3900 | 50 | 7.8 | 50 | 0.8 | 252MHz |
| RCB0810-472K-LF | 4700 | 55 | 11 | 50 | 0.7 | 252MHz |
| RCB0810-562K-LF | 5600 | 55 | 11 | 45 | 0.6 | 252MHz |
| RCB0810-682K-LF | 6800 | 55 | 14 | 45 | 0.6 | 252MHz |
| RCB0810-822K-LF | 8200 | 60 | 15 | 40 | 0.6 | 252MHz |
| RCB0810-103K-LF | 10000 | 100 | 20 | 35 | 0.5 | 79.6MHz |
| RCB0810-123K-LF | 12000 | 100 | 24 | 35 | 0.4 | 79.6MHz |
| RCB0810-153K-LF | 15000 | 100 | 28 | 35 | 0.4 | 79.6MHz |
| RCB0810-183K-LF | 18000 | 100 | 42 | 30 | 0.4 | 79.6MHz |
| RCB0810-223K-LF | 22000 | 100 | 43 | 30 | 0.3 | 79.6MHz |
| RCB0810-273K-LF | 27000 | 100 | 55 | 25 | 0.3 | 79.6MHz |
| RCB0810-333K-LF | 33000 | 90 | 65 | 25 | 0.3 | 79.6MHz |
| RCB0810-393K-LF | 39000 | 90 | 87 | 25 | 0.2 | 79.6MHz |
| RCB0810-473K-LF | 47000 | 85 | 98 | 25 | 0.2 | 79.6MHz |
| RCB0810-563K-LF | 56000 | 80 | 128 | 20 | 0.2 | 79.6MHz |
| RCB0810-683K-LF | 68000 | 70 | 141 | 20 | 0.2 | 79.6MHz |
| RCB0810-823K-LF | 82000 | 70 | 161 | 20 | 0.2 | 79.6MHz |
| RCB0810-104K-LF | 100000 | 55 | 180 | 20 | 0.2 | 79.6MHz |