

RCB1012 SERIES



RoHS Compliant

PART NUMBERING SYSTEM

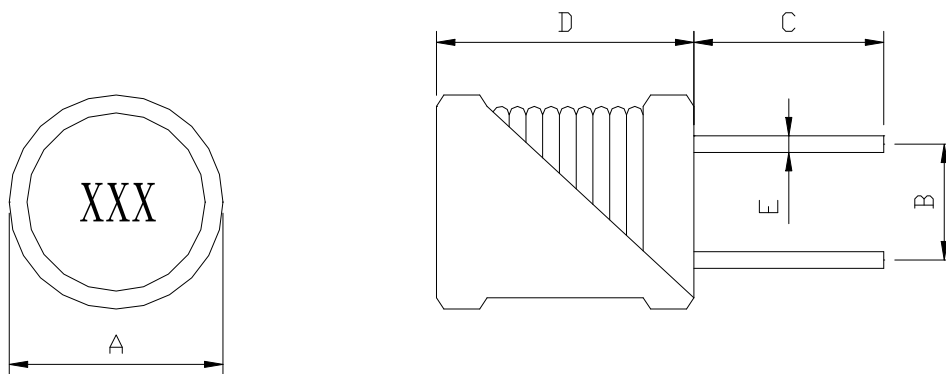
<u>RCB</u>	<u>1012P</u>	—	<u>1R0M</u>	—	<u>LF</u>
TYPE	DIMENSIONS		INDUCTANCE		LEAD FREE

U : UL Tube

P : PET Tube

SHAPES AND DIMENSIONS

UNIT : mm



A=11.5 Max. B=5.0±1.0 C=5.0±1.0 D=12.5 Max. E=0.6±0.1

STRUCTURAL DIAGRAM :

	COMPONENT	MATERIALS
	1.Core	Ferrite core
	2.Wire	Polyurethane enameled copper wires
	3.Lead wire	Tinned copper wires
	4.Tube	Heat shrinkable tube, PET or UL
5.Glue	Epoxy resin	

RCB1012 SERIES



RoHS Compliant

SPECIFICATION TABLE

PART NUMBER	INDUCTANCE (μ H)	Q (min)	DCR (Ω) (max)	IDC (A) (max)	SRF(MHz) (min)	TEST FREQ. (f)
RCB1012-1R0M-LF	1.0	15	0.058	14	144	1KHz
RCB1012-2R2M-LF	2.2	15	0.073	10	70	1KHz
RCB1012-3R3M-LF	3.3	10	0.010	8.8	36	1KHz
RCB1012-4R7M-LF	4.7	10	0.015	7.2	28	1KHz
RCB1012-6R8M-LF	6.8	10	0.016	6.1	18	1KHz
RCB1012-100M-LF	10	20	0.025	5.0	16	1KHz
RCB1012-150M-LF	15	20	0.029	4.2	12	1KHz
RCB1012-220K-LF	22	20	0.040	3.4	9.5	1KHz
RCB1012-330K-LF	33	30	0.062	2.8	7.0	1KHz
RCB1012-470K-LF	47	30	0.075	2.3	5.8	1KHz
RCB1012-680K-LF	68	20	0.13	1.9	4.7	1KHz
RCB1012-101K-LF	100	20	0.16	1.6	3.8	1KHz
RCB1012-151K-LF	150	20	0.26	1.3	3.1	1KHz
RCB1012-221K-LF	220	20	0.33	1.1	2.5	1KHz
RCB1012-331K-LF	330	20	0.52	0.88	2.0	1KHz
RCB1012-471K-LF	470	10	0.66	0.75	1.6	1KHz
RCB1012-681K-LF	680	10	1.1	0.61	1.3	1KHz
RCB1012-102J-LF	1000	20	1.4	0.51	1.1	1KHz
RCB1012-152J-LF	1500	30	2.4	0.43	0.82	1KHz
RCB1012-222J-LF	2200	20	3.2	0.35	0.76	1KHz
RCB1012-332J-LF	3300	30	4.9	0.28	0.64	1KHz
RCB1012-472J-LF	4700	30	7.6	0.24	0.54	1KHz
RCB1012-682J-LF	6800	30	9.8	0.20	0.45	1KHz
RCB1012-103J-LF	10000	30	18	0.17	0.38	1KHz
RCB1012-153J-LF	15000	50	24	0.13	0.29	1KHz

- * Inductance Tolerance: J=5% ; K=10% ; M=20%.
- * Current to cause 10% Max. inductance drop.
- * Operating temperature range -40°C to +85°C
- * Electrical specifications at 25°C