

MM1608 SERIES ~ *New Products*



RoHS Compliant

Wire Wound Chip Common Mode Choke

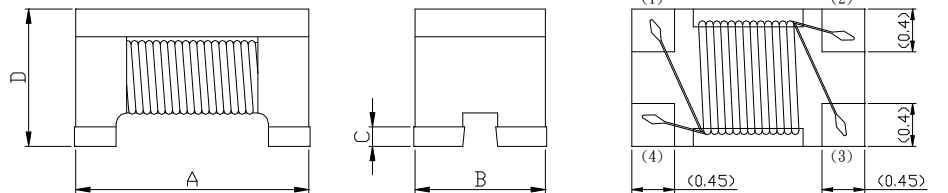
FEATURES

1. Excellent solder ability and resistance to soldering heat..
2. H Suitable for flow and reflow soldering.
3. Eliminates virtually all **common mode noise**
4. Supports **data rates up to 4.8 Gbit/s**
5. Optimized for **USB 3.0, HDMI, IEEE 1394** and LVDS applications
6. **RoHS-compliant.** 260°C compatible .

PART NUMBERING SYSTEM

<u>MM</u>	<u>1 6 0 8</u>	—	<u>6 0 0</u>	—	<u>LF</u>
TYPE	DIMENSIONS		IMPEDANCE		LEAD FREE

SHAPES AND DIMENSIONS



A=1.60±0.1 B=0.85±0.1 C=0.4Max. D=1.1±0.1

SPECIFICATION TABLE

PART NUMBER	IMPEDANCE (at 100MHz/20 degree C) (Ω)	RATED CURRENT (mA)	DCR (Ω) (Max)	RATED VOLTAGE (Vdc)	INSULATION RESISTANCE (M Ω)	WITHSTAND VOLTAGE (Vdc)
MM1608-250-LF	25±25%	500	0.08	50	10 min.	125
MM1608-600-LF	60±25%	500	0.11	50	10 min.	125
MM1608-950-LF	95±25%	500	0.15	50	10 min.	125
MM1608-141-LF	145±25%	500	0.18	50	10 min.	125
MM1608-221-LF	225±25%	500	0.21	50	10 min.	125

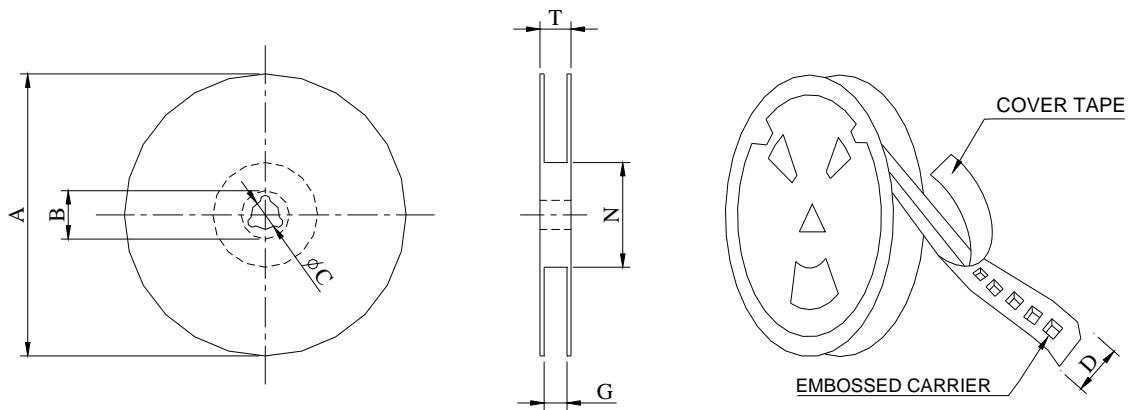
Operating Temperature Range : -40°C to 85°C

MM1608 SERIES ~ *New Products*

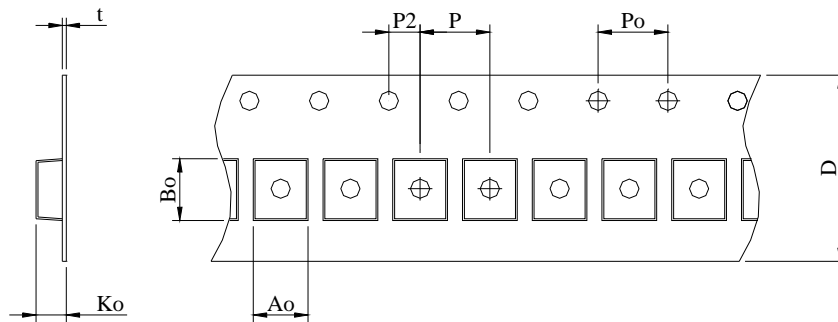


Wire Wound Chip Common Mode Choke

PACKAGING SPECIFICATION



*CARRIER TAPE WIDTH : D



SERIES	STAYLE	Q' TY (PCS)	DIMENSIONS (m/m)								
			A	Ao	Bo	Ko	t	N	P	Po	T
MM1608	178	2000	178	1.05	1.85	1.15	0.23	60	4	4	12