

MM5040 SERIES ~ SMD Common Mode Choke



RoHS Compliant

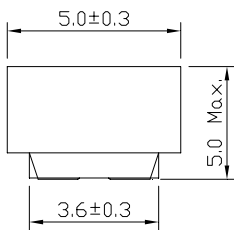
PART NUMBERING SYSTEM

SMM	5040	—	191	—	LF
TYPE	DIMENSIONS		IMPEDANCE		LEAD FREE

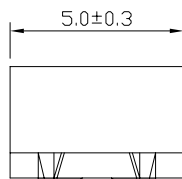
SHAPES AND DIMENSIONS

UNIT : mm

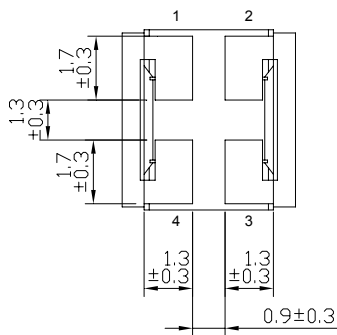
TOP VIEW



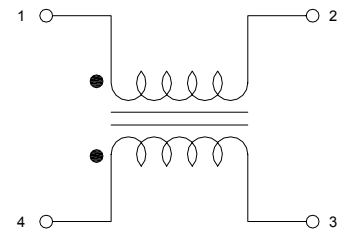
FRONT VIEW



BOTTOM VIEW



EQUIVALENT CIRCUIT



SPECIFICATION TABLE

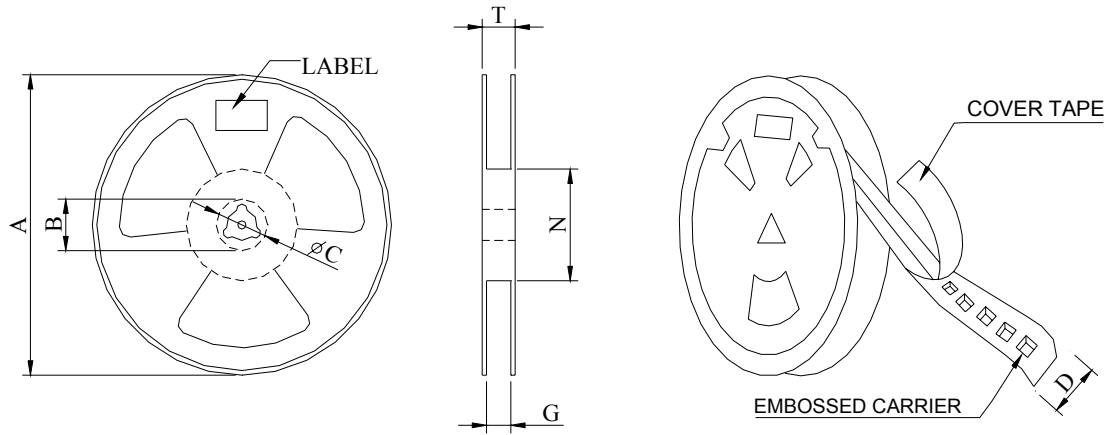
PART NUMBER	IMPEDANCE at 100MHz (Ω)	RATED CURRENT (mA)	DCR (mΩ) (Max)	RATED VOLTAGE (Vdc)	INSULATION RESISTANCE (Ω)min
SMM5040-191-LF	190 (Typ.)	5000	20.0	50	10M
SMM5040-351-LF	350 (Typ.)	2000	40.0	50	10M
SMM5040-102-LF	1000 (Typ.)	1500	60.0	50	10M
SMM5040-152-LF	1500 (Typ.)	1000	100.0	50	10M
SMM5040-302-LF	3000 (Typ.)	500	130.0	50	10M

- Operating temperature range -40°C to +85°C ,
- Electrical specifications at 20°C.

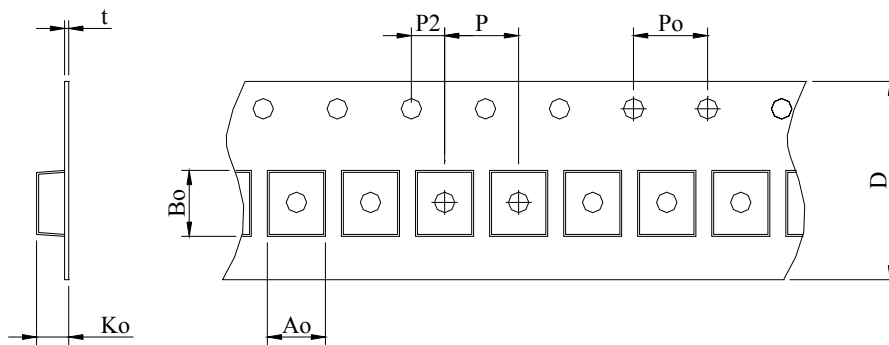
MM5040 SERIES ~ SMD Common Mode Choke



RoHS Compliant



*CARRIER TAPE WIDTH : D



DIMENSIONS (m/m)

Q'TY (PCS)	A	B	C	D	G	N	T	Ao	Bo	Ko	t	P	Po	P2
1000	330	—	13.5 ±0.5	16.0 ±0.3	—	75.0 ±2.0	—	6	6	5.0 ±0.1	0.4 ±0.1	11.6 ±0.1	4.0 ±0.1	—