

# SBP1005 SERIES

## High Current SMD Power Inductors



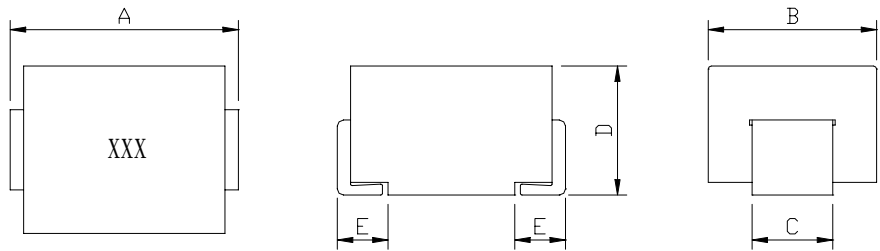
RoHS Compliant

### PART NUMBERING SYSTEM

<b>SBP</b>	<b>1005</b>	<b>—</b>	<b>R10M</b>	<b>—</b>	<b>LF</b>
TYPE	DIMENSIONS		INDUCTANCE		LEAD FREE

### SHAPES AND DIMENSIONS

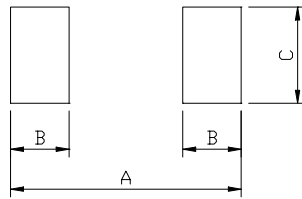
UNIT : mm



**A=10.2 Max. B=7.0 Max. C=3.0 Ref. D=5.0 Max. E=1.0 Ref.**

### RECOMMENDED PATTERNS

UNIT : mm



**A=10.5 B=2.5 C=4.5**

### FEATURES

1. Voltage regulator modules (VRMs) for servers, microprocessors.
2. High frequency, high current switching power supplies. Electrical Characteristic
  - a. Storage temperature range : -40°C to + 155°C.
  - b. Operating ambient temperature range : -40°C to + 155°C (range is application specific)
  - c. Infrared reflow temperature : +260°C for 10 seconds maximum.
  - d. Frequency Range : 300KHz to 2MHz.
3. Surface mount inductors designed for high speed, high current switch mode applications requiring lower inductance.
4. Gapped ferrite cores for maximum efficiency.
5. Inductance values from 150nH to 200nH.
6. Current range up to 64 Amps.

## SBP1005 SERIES

### High Current SMD Power Inductors



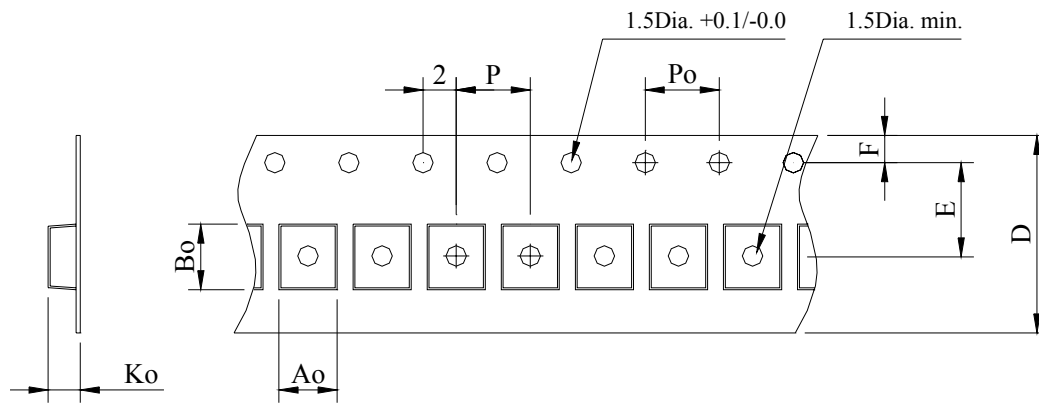
RoHS Compliant

#### SPECIFICATION TABLE

PART NUMBER	INDUCTANCE (nH)	DCR (mΩ) (Nom.)	DCR (mΩ) (Max.)	I sat (peak) Amps	I rms Amps
SBP1005-R10M-LF	100±20%	0.48	0.65	64	40
SBP1005-R15M-LF	150±20%	0.48	0.65	42	40
SBP1005-R20M-LF	200±20%	0.48	0.65	30	40

- sat: DC current at which the inductance drops 30% (typ) from its value without current.
- rms: Average current for 40°C temperature rise from 25°C ambient.
- Operating temperature range -40°C to +125°C ,
- Electrical specifications at 20°C.

#### PACKAGING SPECIFICATION



STAYLE	Q' TY (PCS)	DIMENSIONS (m/m)							
		Ao	Bo	Ko	P	Po	D±0.3	E±0.1	F±0.1
13~16	1,000	7.2	10.6	5.4	12	4	24	11.5	1.75