

SBP1308 SERIES

High Current SMD Power Inductors



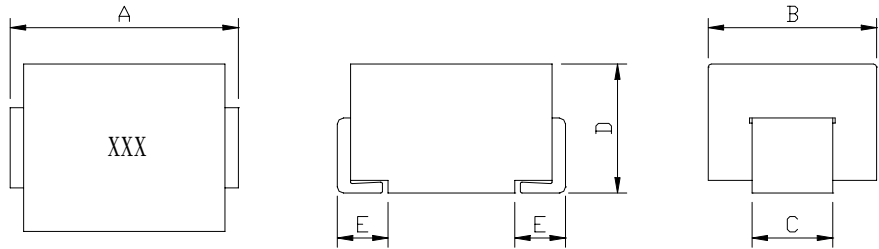
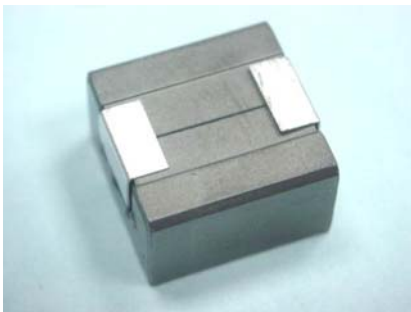
RoHS Compliant

PART NUMBERING SYSTEM

SEP	1 3 0 8	—	R 32 M	—	LF
TYPE	DIMENSIONS		INDUCTANCE		LEAD FREE

SHAPES AND DIMENSIONS

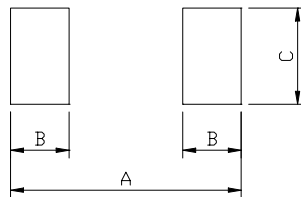
UNIT : mm



A=13.46 Max. B=12.95 Max. C=5.08 Ref. D=8.0 Max. E=2.54 Ref.

RECOMMENDED PATTERNS

UNIT : mm



A=13.4 B=3.18 C=7.62

FEATURES

1. Voltage regulator modules (VRMs) for servers, microprocessors.
 2. High frequency, high current switching power supplies.
- Electrical Characteristic**
- a. Storage temperature range : -40°C to + 125°C.
 - b. Operating ambient temperature range : -40°C to + 85°C (range is application specific)
 - c. Infrared reflow temperature : +260°C for 10 seconds maximum.
 - d. Frequency Range : 300KHz to 2MHz.
3. Surface mount inductors designed for high speed, high current switch mode applications requiring lower inductance.
 4. Gapped ferrite cores for maximum efficiency.
 5. Inductance values from 150nH to 200nH.
 6. Current range up to 15 Amps.

SBP1308 SERIES

High Current SMD Power Inductors



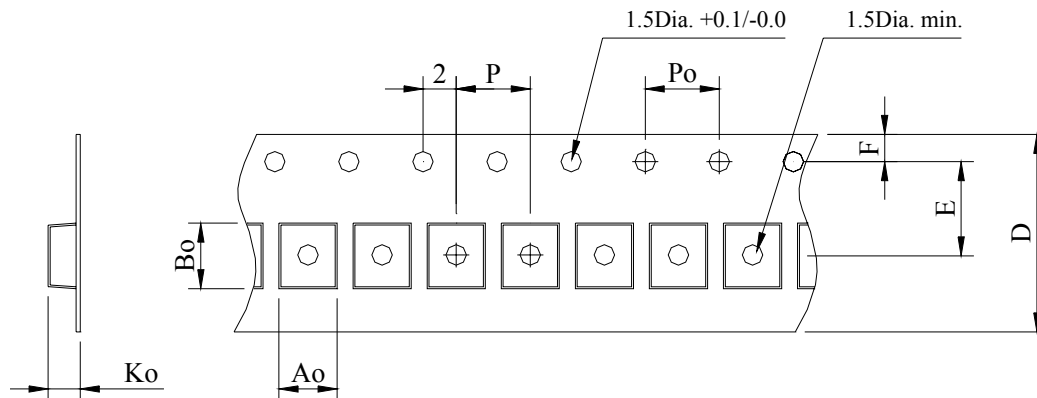
RoHS Compliant

SPECIFICATION TABLE

PART NUMBER	INDUCTANCE (nH)	DCR (mΩ) (Nom.)	DCR (mΩ) (Max.)	I rated Amps	I sat (peak) Amps
SBP1308-R21M-LF	210±20%	0.39	0.50	45	71
SBP1308-R26M-LF	260±20%	0.39	0.50	45	60
SBP1308-R32M-LF	320±20%	0.39	0.50	41	45
SBP1308-R44M-LF	440±20%	0.39	0.50	30	32

- Isat: DC current at which the inductance drops 30% (typ) from its value without current.
- Irms: Average current for 40°C temperature rise from 25°C ambient.
- Operating temperature range -40°C to +125°C , Electrical specifications at 20°C.

PACKAGING SPECIFICATION



STAYLE	Q' TY (PCS)	DIMENSIONS (m/m)							
		A_o	B_o	K_o	P	P_o	$D \pm 0.3$	$E \pm 0.1$	$F \pm 0.1$
13~16	400	13.34	13.34	8.13	16	4	24	11.5	1.75