

PART NUMBERING SYSTEM

RJ32 —
 U4101 —
 X —
 X —
 LF
 Type — Model — Mechanical — LED table — Lead Free

(1) RJ32 Series Mechanical :

A	With LED and EMI-Finger
B	With LED and Non EMI-Finger
C	Without LED with EMI-Finger
D	Without LED and EMI-Finger



RoHS Compliant

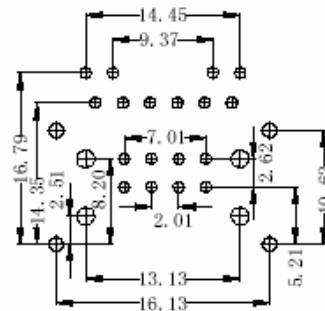
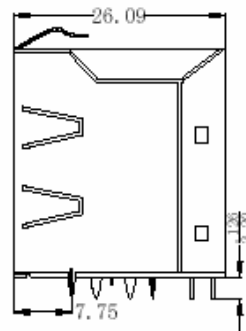
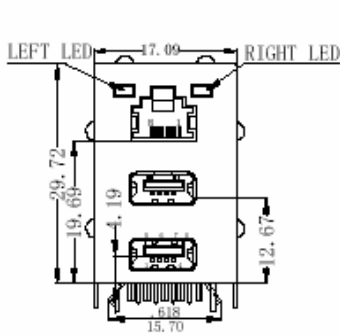
(2) LED ordering options :

LED Code	LED COLOR		LED POLARITY
	LEFT	RIGHT	
L	GO	Y	



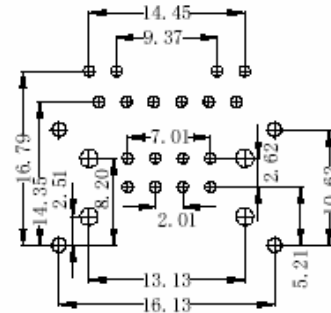
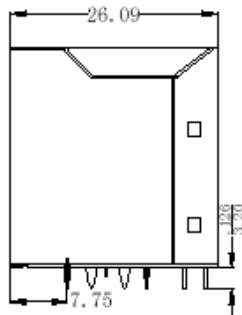
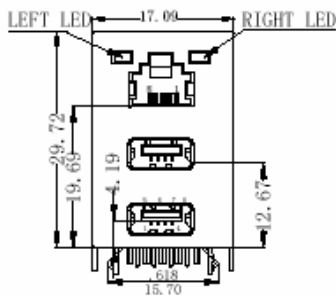
SHAPES AND DIMENSIONS

A



SUGGESTED FOOTPRINT
(SHOW FROM COMPONENT SIDE)

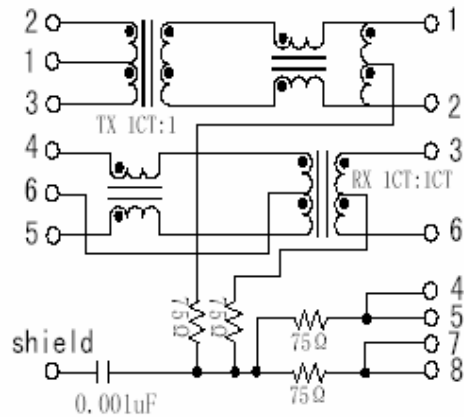
B



SUGGESTED FOOTPRINT
(SHOW FROM COMPONENT SIDE)

Dimensions: Inch/mm
Unless otherwise specified,
all tolerances are $\pm 0.25^{010}$

Schematics



FEATURES

1. LAN interface suitable for **10/100 Base-TX** applications
2. **RJ45 / USB stacked** design saves on PCB real estate
3. USB module complies with **USB 2.0 standards and meets CAT FAST Ethernet** industry performance
4. Meets or exceeds **IEEE 802.3 and ANSI X 3.263 standards** including 350uH min. OCL with 8mA bias
5. **RoHS compliant peak solder rating 235°C**

ELECTRICAL CHARACTERISTICS @ 25°C --- Operating Temperature 0°C to 70°C

PART NUMBER	Turns Ratios		Insertion Loss (dB typ.)	Return loss (dB typ)@100Ω MHz			Crosstalk (dB typ) MHz			CMR (dB typ) MHz	
	TX	RX		1-65MHz	1-10	30	60-80	1-10	30-60	60-100	1-50
RJ32-U4101-LF	1:1	1:1	-1.0	-20	-16	-12	-40	-35	-30	-30	-20