

RJ32 — **U5102B** — **X** — **X** — **LF**
Type — Model — Mechanical — LED table — Lead Free

(1) LED ordering options :

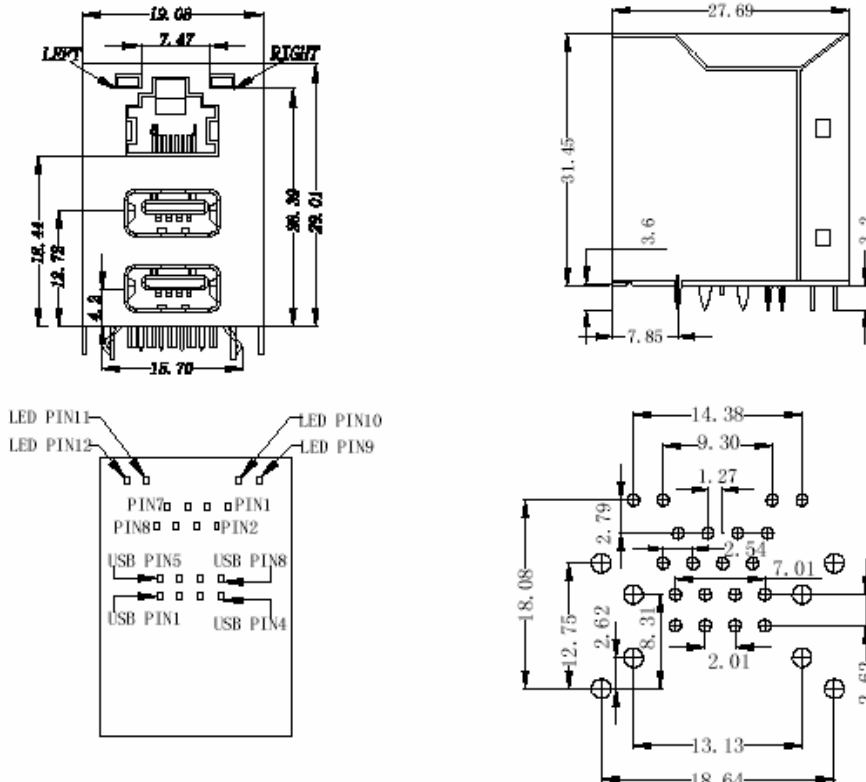
LED Code	LED COLOR		LED POLARITY
	LEFT	RIGHT	
A	Y	G	9 → 10 → 12 →
B	G	Y	9 → 10 → 12 →
C	G	G	9 → 10 → 12 →
P	G	Y	10 → 9 → 12 → 11 →
Q	GO	Y	12 → 13 → 14 → 15 →
R	G	GO	12 → 11 → 14 → 15 →
S	G	GO	12 → 11 → 13 → 14 →
T	Y	GO	10 → 9 → 12 → 11 →



RoHS Compliant

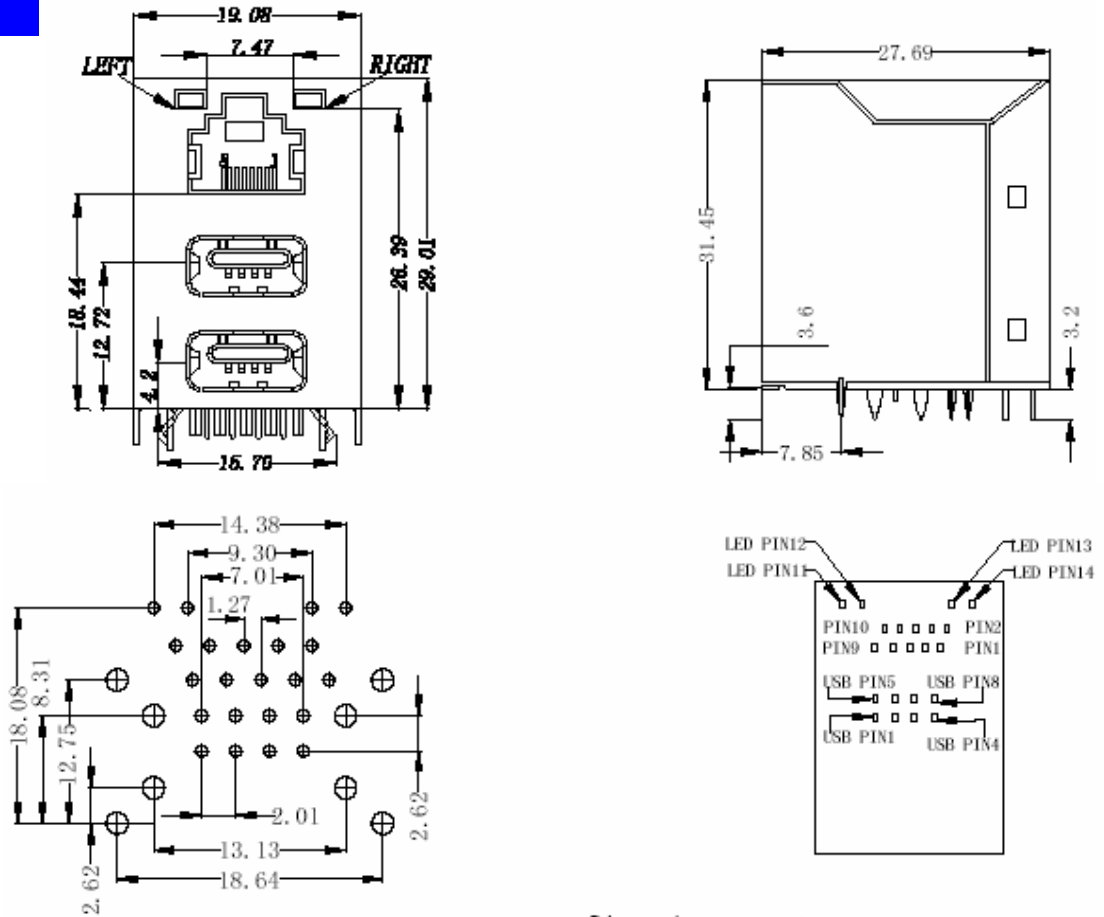
SHAPES AND DIMENSIONS

RJ32-U510XB



SHAPES AND DIMENSIONS

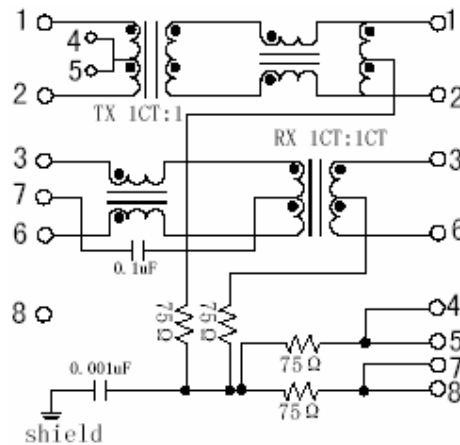
RJ32-U520XB



Dimensions: Inch/mm
Unless otherwise specified,
all tolerances are ± 0.25

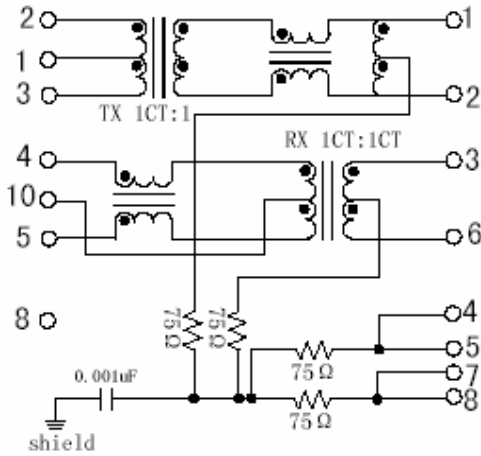
Schematics

RJ32-U5102B

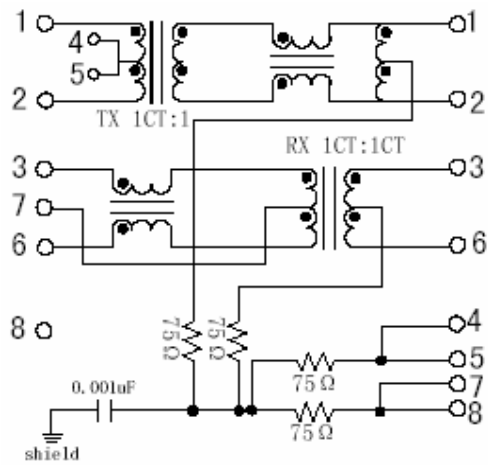


Schematics

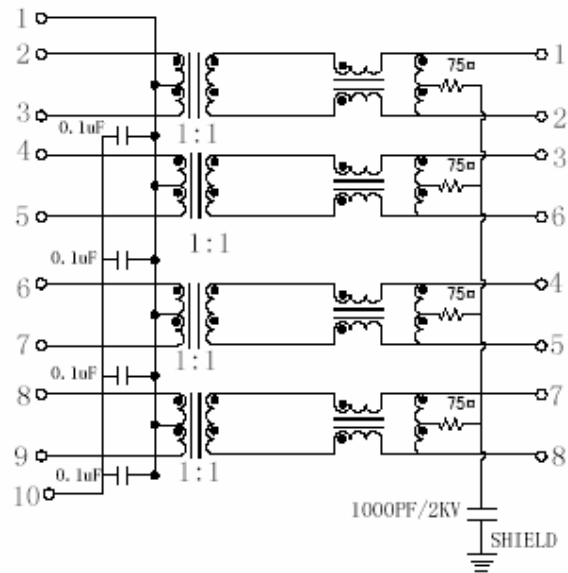
RJ32-U5103B



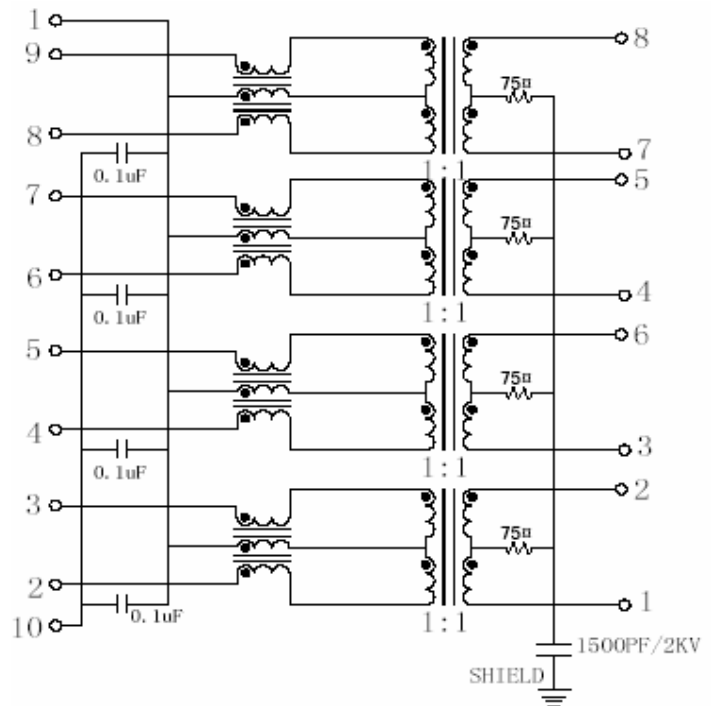
RJ32-U5104B



RJ32-U5202B



RJ32-U5203B



USB Combo

Coilmaster Electronics Co., Ltd.

FEATURES

1. LAN interface suitable for **10/100/1000 Base-TX** applications
2. **RJ45 / USB stacked** design saves on PCB real estate
3. USB module complies with **USB 2.0 standards and meets CAT FAST Ethernet** industry performance
4. Meets or exceeds **IEEE 802.3 and ANSI X 3.263 standards** including 350uH min. OCL with 8mA bias.
5. **RoHS compliant peak solder rating 235°C**

ELECTRICAL CHARACTERISTICS @ 25°C --- Operating Temperature 0°C to 70°C

PART NUMBER	Turns Ratios		DATA Rate	Insertion Loss (dB typ.)	Return loss (dB typ.)@100Ω MHz			Crosstalk (dB typ) MHz			CMR (dB typ) MHz		Hipot (Vrms)
	TX	RX			1-100MHz	1-30	30-60	60-80	1-10	30-60	60-100	1-50	
RJ32-U5102B-LF	1:1	1:1	10 / 100	-1.0	-18	-16	-12	-40	-35	-30	-30	-20	1500
RJ32-U5103B-LF	1:1	1:1	10 / 100	-1.0	-18	-16	-12	-40	-35	-30	-30	-20	1500
RJ32-U5104B-LF	1:1	1:1	10 / 100	-1.0	-18	-16	-12	-40	-35	-30	-30	-20	1500
RJ32-U5202B-LF	1:1	1:1	1000	-1.0	-18	-16	-12	-40	-35	-30	-30	-20	1500
RJ32-U5203B-LF	1:1	1:1	1000	-1.0	-18	-16	-12	-40	-35	-30	-30	-20	1500