

RJ3213F SERIES ~

RJ45 10/100 BASE-T JACK WITH MAGNETIC MODULE



RoHS Compliant

FEATURES

- Magnetic designs to support every PHY
- Meet or exceed IEEE 802.3 and ANSI X3.263 standards
- Including 350uH min OCL with 8mA bias
- Minimum 1500Vrms isolation per IEEE 802.3 requirement
- Designed for 100 base transmission over UTP-5 cable
- Size same as RJ-45 modular jack to save PCB board space

ELECTRICAL SPECIFICATIONS

P/N	Turns Ratio ±5%		EMI Fingers	LED L/R	Insertion Loss (dB Typ.)	Return Loss (dB Typ. @100Ω)				Common Mode Rejection (dB Typ.) MHz			Cross Talk (dB Typ.) MHz			Hipot Vrms MIN.
	TX	RX				MHz				30	60	100	30	60	100	
						0.3-100MHz	1~30	40	50							
RJ3213F-60X-LF	1CT:1CT	1CT:1CT	YES	N/A	-1	-18	-16	-14	-12	-35	-30	-25	-45	-40	-35	1500
RJ3213F-61X-LF	1CT:1CT	1CT:1CT	YES	N/A	-1	-18	-16	-14	-12	-35	-30	-25	-45	-40	-35	1500
RJ3213F-62X-LF	1CT:1	1CT:1	YES	N/A	-1	-18	-16	-14	-12	-35	-30	-25	-45	-40	-35	1500
RJ3213F-69GYDNW2-LF	1CT:1	1CT:1	NO	G/Y	-1	-18	-16	-12	-10	-30	-20	-20	-40	-35	-30	1500
RJ3213F-69ND2-LF	1CT:1	1CT:1	YES	N/A	-1	-18	-16	-12	-10	-30	-20	-20	-40	-35	-30	1500
RJ3213F-69GYD2-LF	1CT:1	1CT:1	YES	G/Y	-1	-18	-16	-12	-10	-30	-20	-20	-40	-35	-30	1500
RJ3213F-64NW2-LF	1CT:1CT	1CT:1CT	NO	N/A	-1	-18	-16	-12	-10	-30	-20	-20	-40	-35	-30	1500
RJ3213F-64GYDNW2-LF	1CT:1CT	1CT:1CT	NO	G/Y	-1	-18	-16	-12	-10	-30	-20	-20	-40	-35	-30	1500
RJ3213F-64ND2-LF	1CT:1CT	1CT:1CT	YES	N/A	-1	-18	-16	-12	-10	-30	-20	-20	-40	-35	-30	1500
RJ3213F-64GYD2-LF	1CT:1CT	1CT:1CT	YES	G/Y	-1	-18	-16	-12	-10	-30	-20	-20	-40	-35	-30	1500
RJ3213F-64GGD2-LF	1CT:1CT	1CT:1CT	YES	G/G	-1	-18	-16	-12	-10	-30	-20	-20	-40	-35	-30	1500
RJ3213F-61ND2-LF	1CT:1CT	1CT:1CT	YES	N/A	-1	-18	-16	-12	-10	-30	-20	-20	-40	-35	-30	1500
RJ3213F-64AND2-LF	1CT:1.414CT	1CT:1CT	YES	N/A	-1	-18	-16	-12	-10	-30	-20	-20	-40	-35	-30	1500
RJ3213F-64AGGD2-LF	1CT:1.414CT	1CT:1CT	YES	G/G	-1	-18	-16	-12	-10	-30	-20	-20	-40	-35	-30	1500
RJ3213F-62ANW2-LF	1CT:1	1CT:1CT	NO	N/A	-1	-18	-16	-12	-10	-30	-20	-20	-40	-35	-30	1500
RJ3213F-62AGYDNW2-LF	1CT:1	1CT:1CT	NO	G/Y	-1	-18	-16	-12	-10	-30	-20	-20	-40	-35	-30	1500

RJ3213F SERIES ~

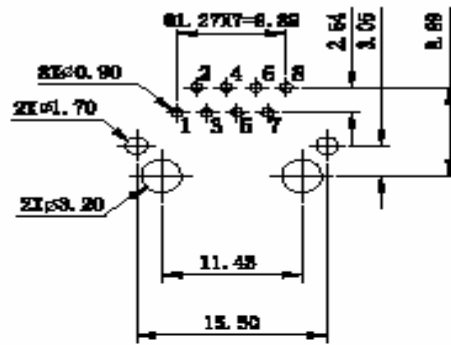
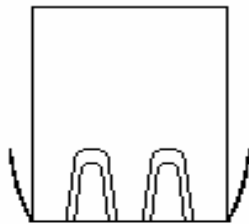
RJ45 10/100 BASE-T JACK WITH MAGNETIC MODULE



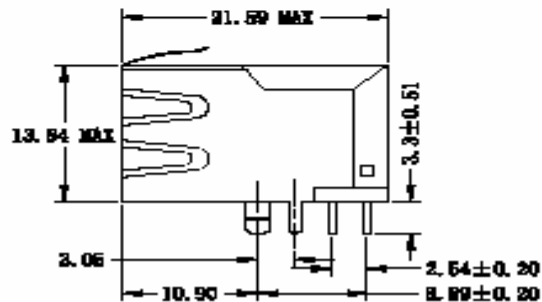
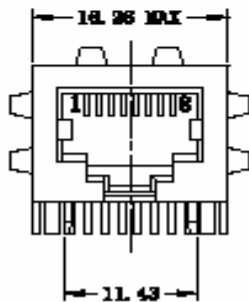
RoHS Compliant

P/N	Turns Ratio ±5%		EMI Fingers	LED L/R	Insertion Loss (dB Typ.)	Return Loss (dB Typ. @100Ω) MHz				Common Mode Rejection (dB Typ.) MHz			Cross Talk (dB Typ.) MHz			Hipot Vrms MIN.	
	TX	RX				0.3-100MHz	1~30	40	50	60~80	30	60	100	30	60		100
RJ3213F-62AGGDNW2-LF	1CT:1	1CT:1CT	NO	G/G	-1	-18	-16	-12	-10	-30	-20	-20	-40	-35	-30	1500	
RJ3213F-62AND2-LF	1CT:1	1CT:1CT	YES	N/A	-1	-18	-16	-12	-10	-30	-20	-20	-40	-35	-30	1500	
RJ3213F-62AGYD2-LF	1CT:1	1CT:1CT	YES	G/Y	-1	-18	-16	-12	-10	-30	-20	-20	-40	-35	-30	1500	
RJ3213F-62AGGD2-LF	1CT:1	1CT:1CT	YES	G/G	-1	-18	-16	-12	-10	-30	-20	-20	-40	-35	-30	1500	
RJ3213F-62ADGD2-LF	1CT:1	1CT:1CT	YES	YG/G	-1	-18	-16	-12	-10	-30	-20	-20	-40	-35	-30	1500	
RJ3213F-62CGYD2-LF	1CT:1	1CT:1CT	YES	G/Y	-1	-18	-16	-12	-10	-30	-20	-20	-40	-35	-30	1500	
RJ3213F-60CND2-LF	1CT:1CT	1CT:1CT	YES	N/A	-1	-18	-16	-12	-10	-30	-20	-20	-40	-35	-30	1500	
RJ3213F-60END2-LF	1CT:1.41CT	1CT:1.41CT	YES	N/A	-1	-18	-16	-12	-10	-30	-20	-20	-40	-35	-30	1500	
RJ3213F-60VGYD2-LF	1CT:1CT	1CT:1CT	YES	G/Y	-1	-18	-16	-12	-10	-30	-20	-20	-40	-35	-30	1500	
RJ3213F-61FND2-LF	1CT:1CT	1CT:1CT	YES	N/A	-1	-18	-16	-12	-10	-30	-20	-20	-40	-35	-30	1500	
RJ3213F-66YGNW2-LF	1CT:1CT	1CT:1CT	YES	Y/G	-1	-18	-16	-12	-10	-30	-20	-20	-40	-35	-30	1500	

DIMENSIONS



PC Board Layout
Component Side Shown



Dimensions: m/m all tolerances are ±0.25

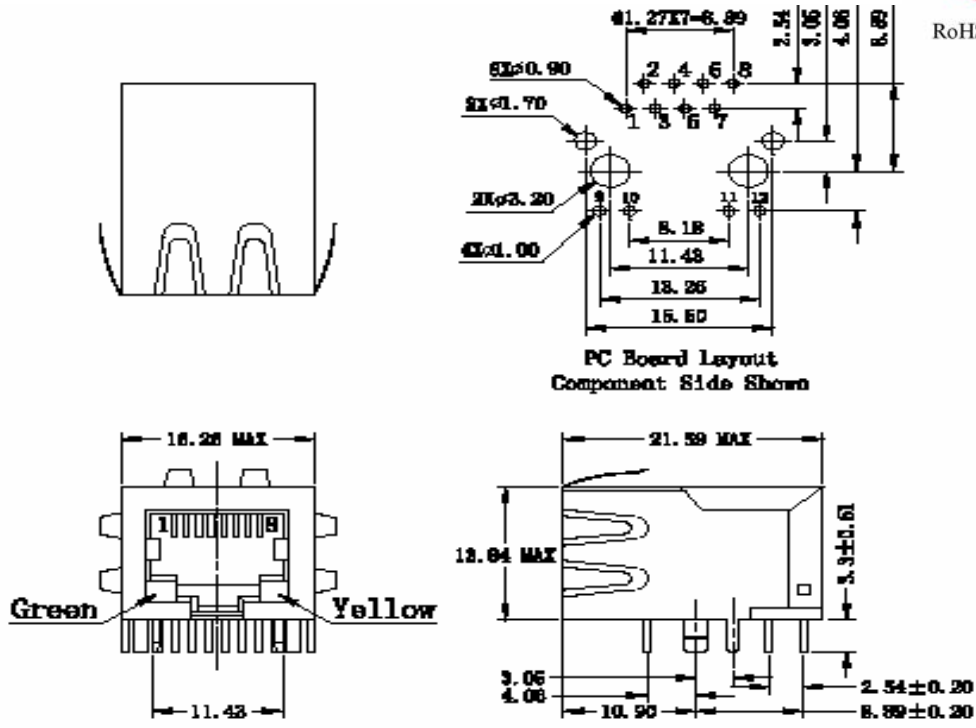
RJ3213F SERIES ~

RJ45 10/100 BASE-T JACK WITH MAGNETIC MODULE

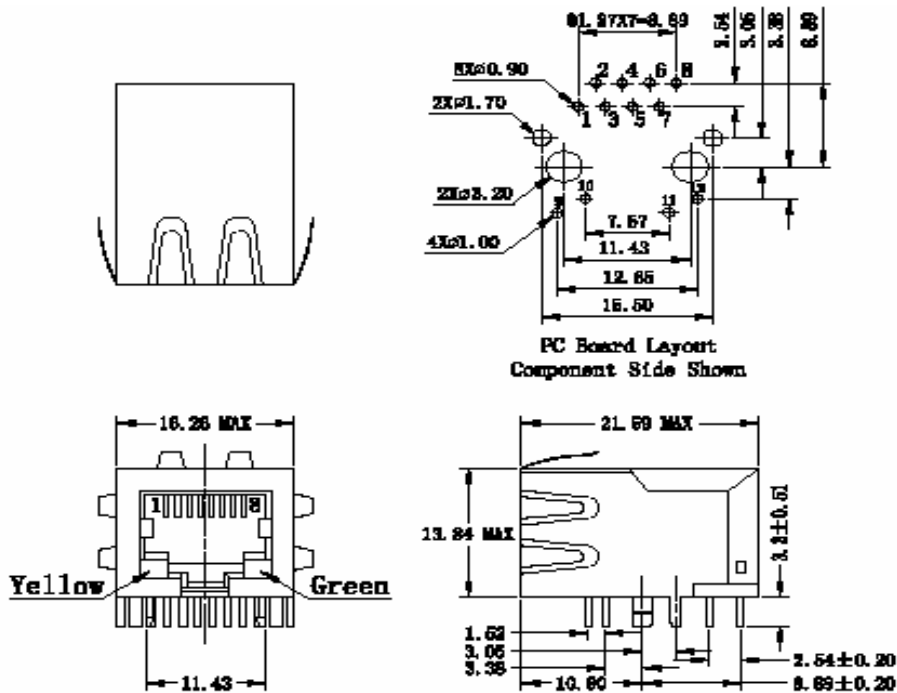
DIMENSIONS



RoHS Compliant



Dimensions: m/m all tolerances are ± 0.25 ※led pin are parallel



Dimensions: m/m all tolerances are ± 0.25 ※led pin are oblique

RJ3213F SERIES ~

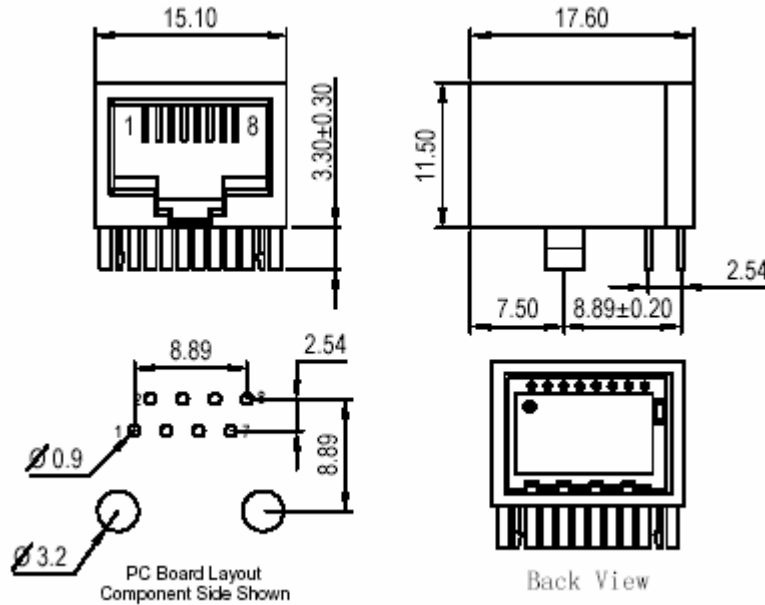
RJ45 10/100 BASE-T JACK WITH MAGNETIC MODULE

SCHEMATICS

Single Small Module

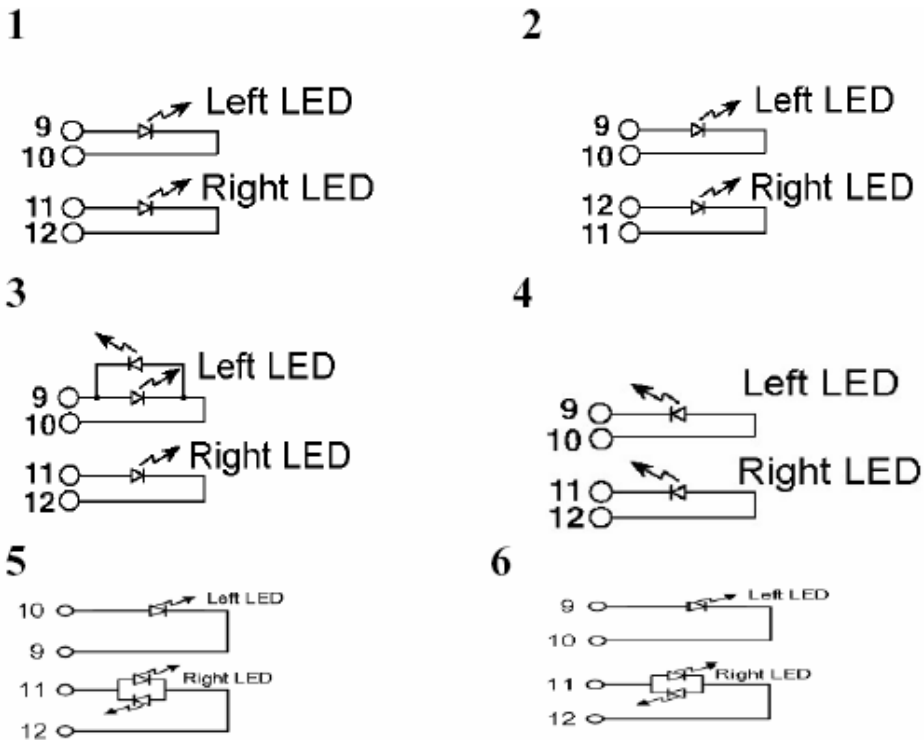


RoHS Compliant



Dimensions: m/m all tolerances are ±0.25

LED Configuration



Vin=2.1Vdc TYP. 2.5Vdc MAX.

RJ3213F SERIES ~

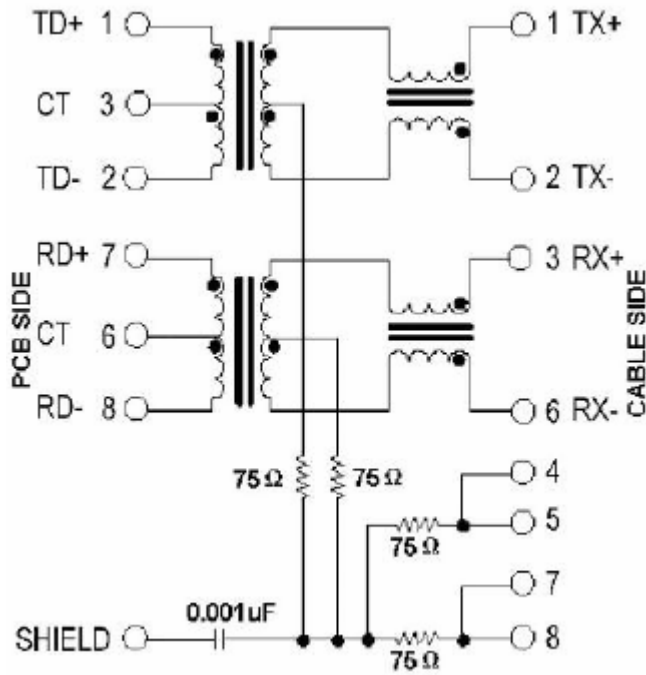
RJ45 10/100 BASE-T JACK WITH MAGNETIC MODULE



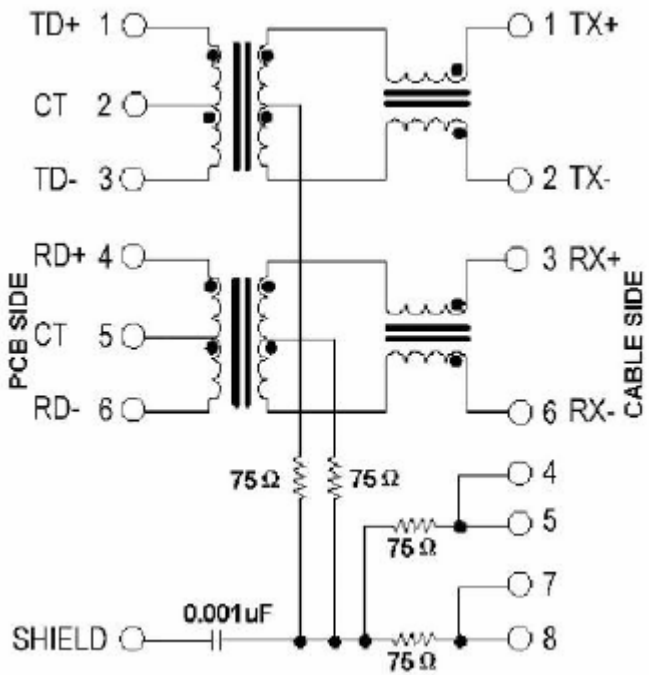
RoHS Compliant

SCHEMATICS

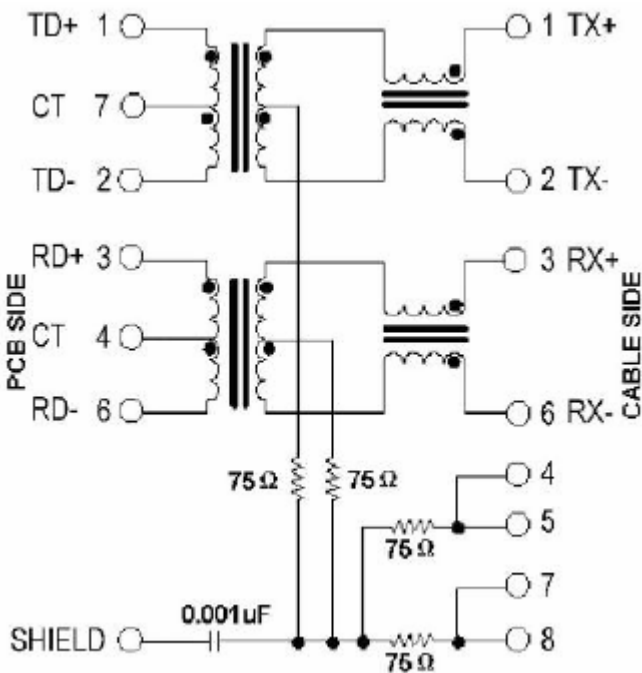
RJ3213F-60



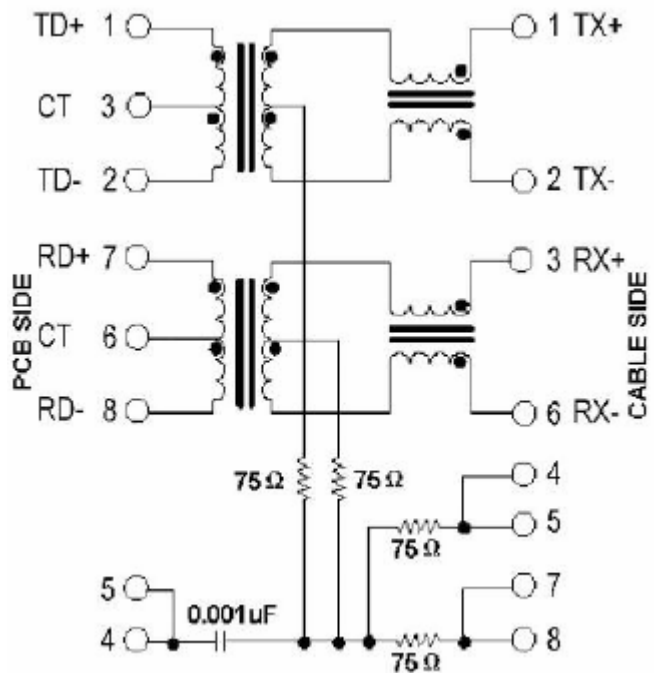
RJ3213F-60A



RJ3213F-60C



RJ3213F-60F



RJ3213F SERIES ~

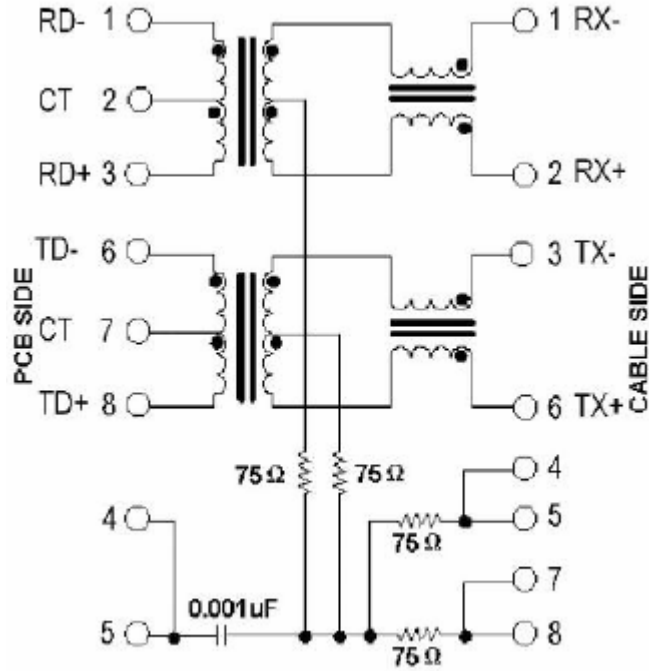
RJ45 10/100 BASE-T JACK WITH MAGNETIC MODULE

SCHEMATICS

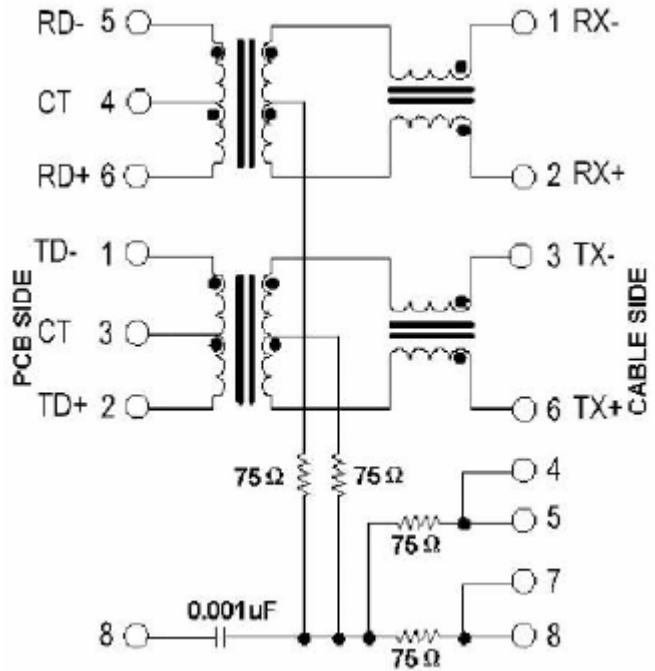


RoHS Compliant

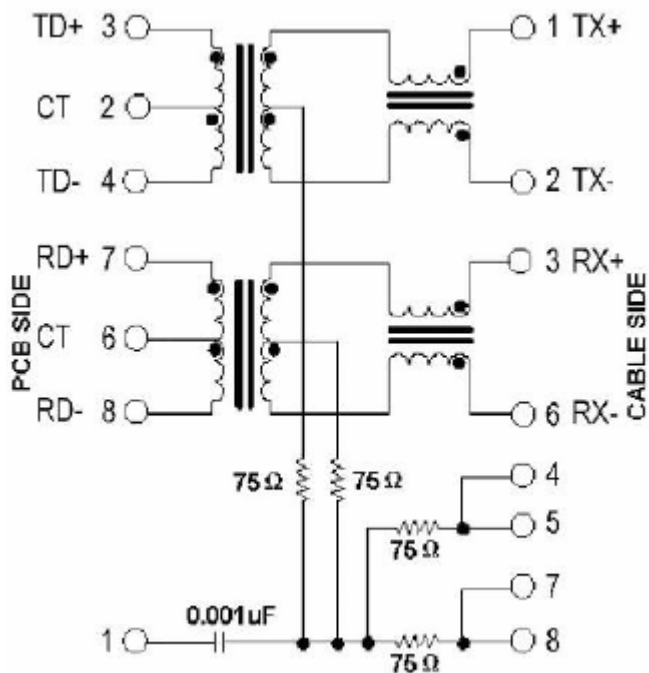
RJ3213F-60H



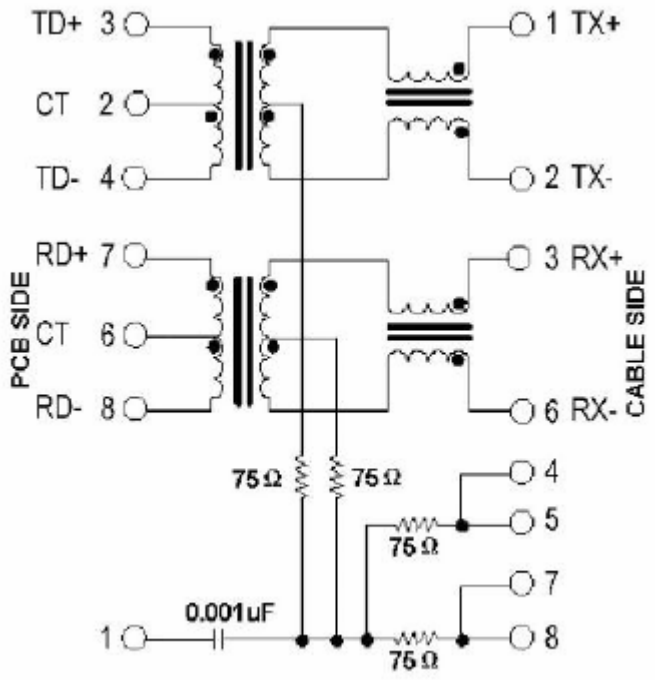
RJ3213F-60I



RJ3213F-60J



RJ3213F-60K



RJ3213F SERIES ~

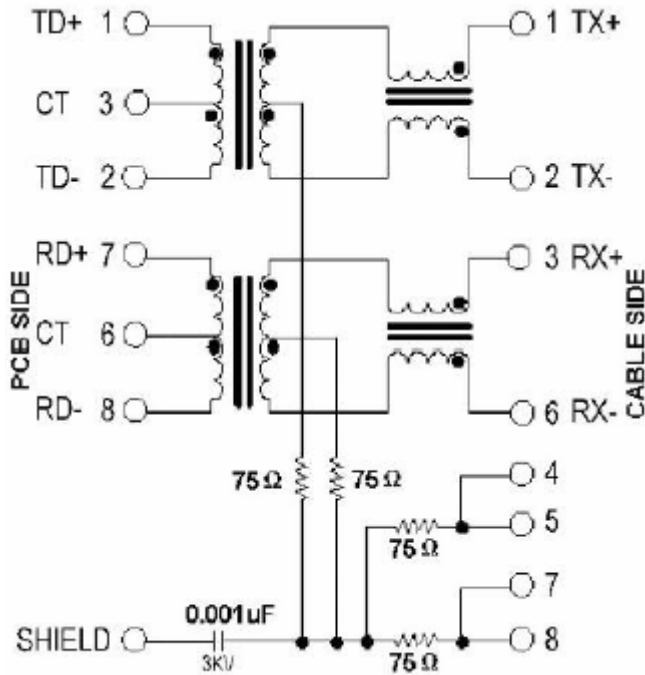
RJ45 10/100 BASE-T JACK WITH MAGNETIC MODULE



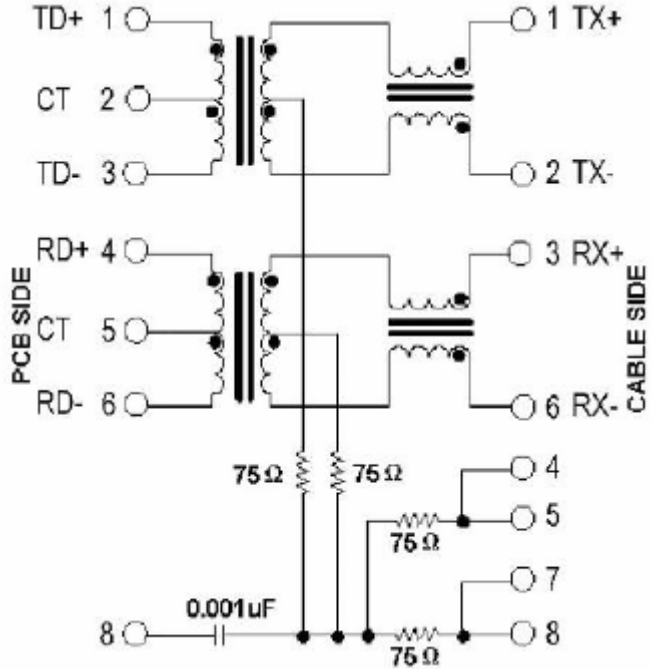
RoHS Compliant

SCHEMATICS

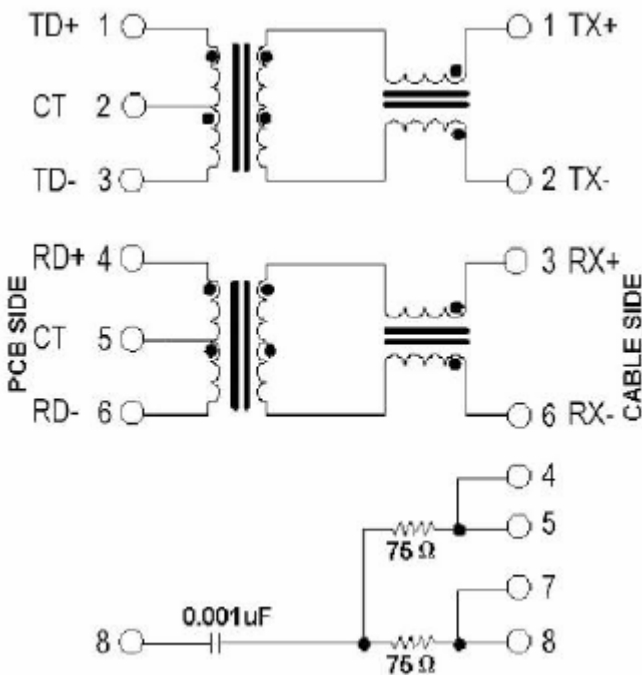
RJ3213F-60V



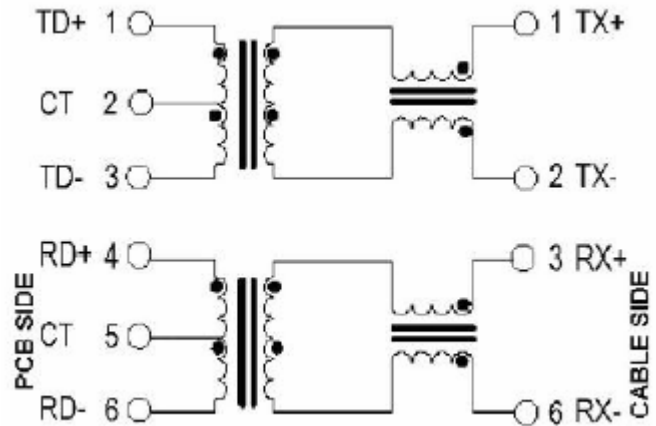
RJ3213F-61



RJ3213F-61A



RJ3213F-61H



RJ3213F SERIES ~

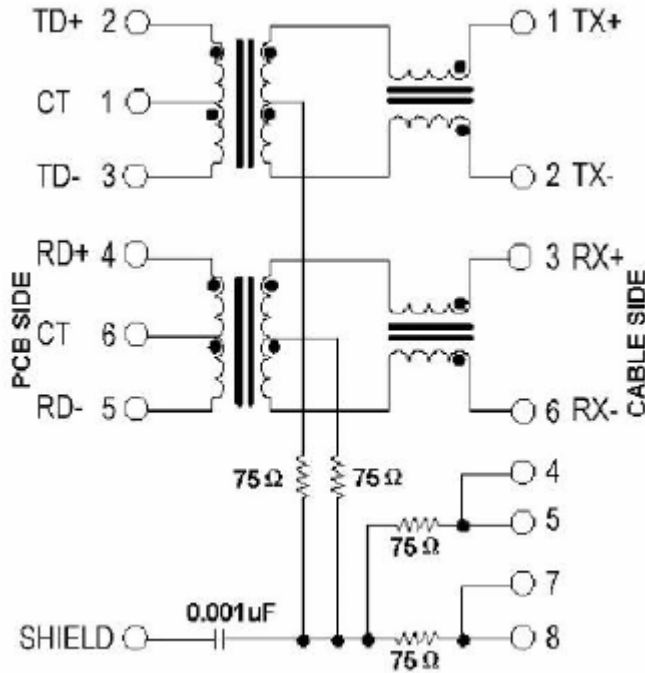
RJ45 10/100 BASE-T JACK WITH MAGNETIC MODULE



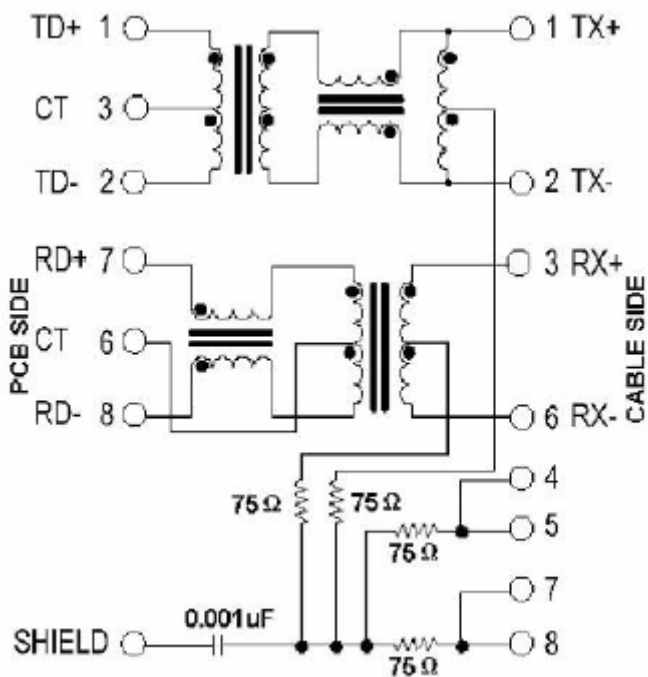
RoHS Compliant

SCHEMATICS

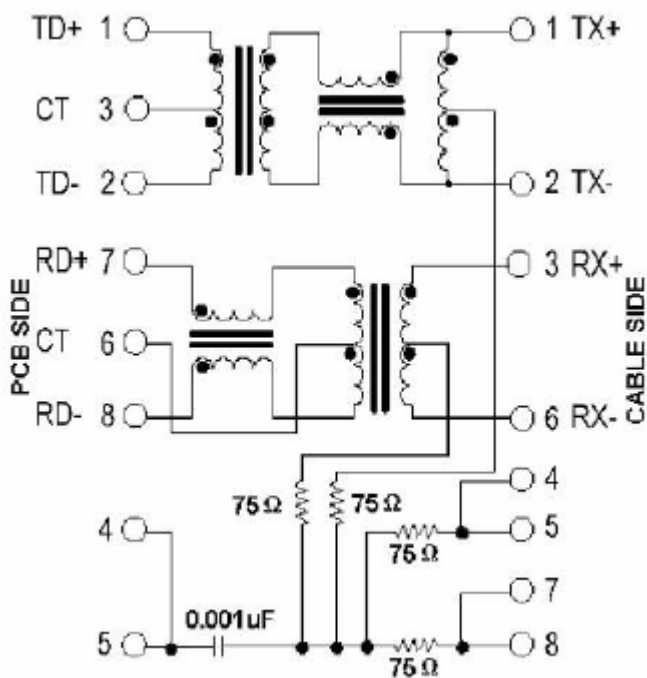
RJ3213F-61J



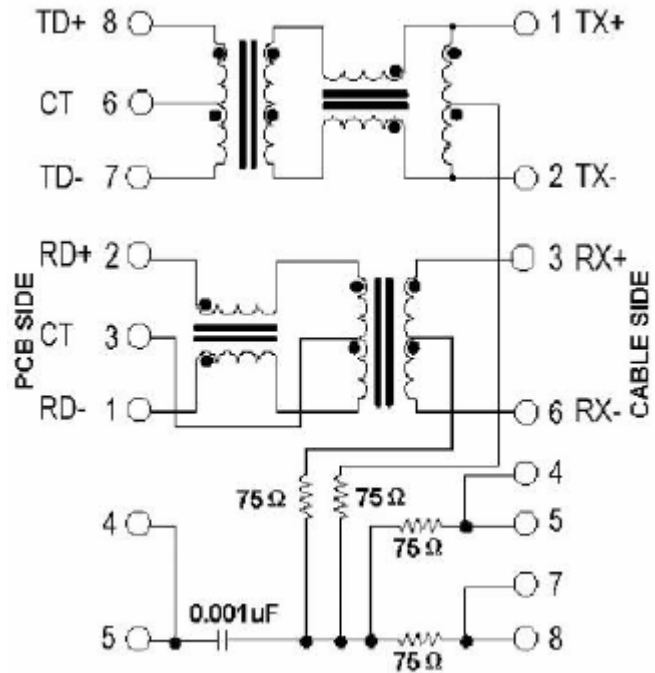
RJ3213F-62



RJ3213F-62A



RJ3213F-62C



RJ3213F SERIES ~

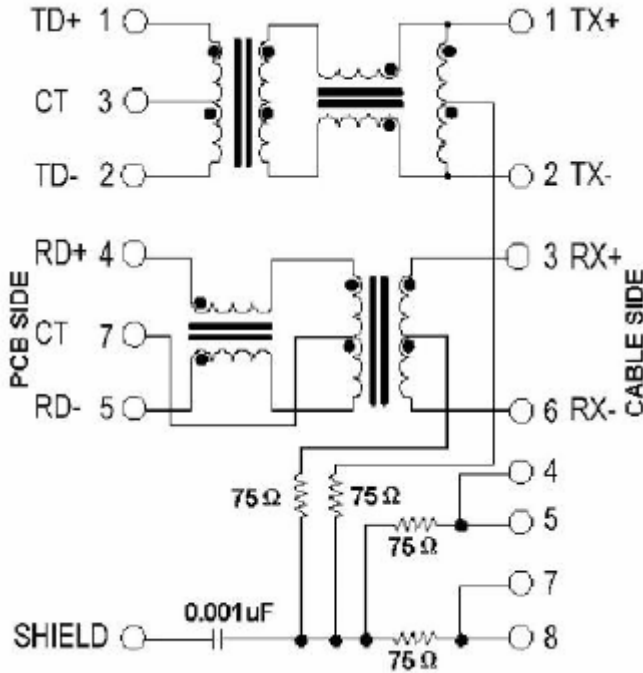
RJ45 10/100 BASE-T JACK WITH MAGNETIC MODULE



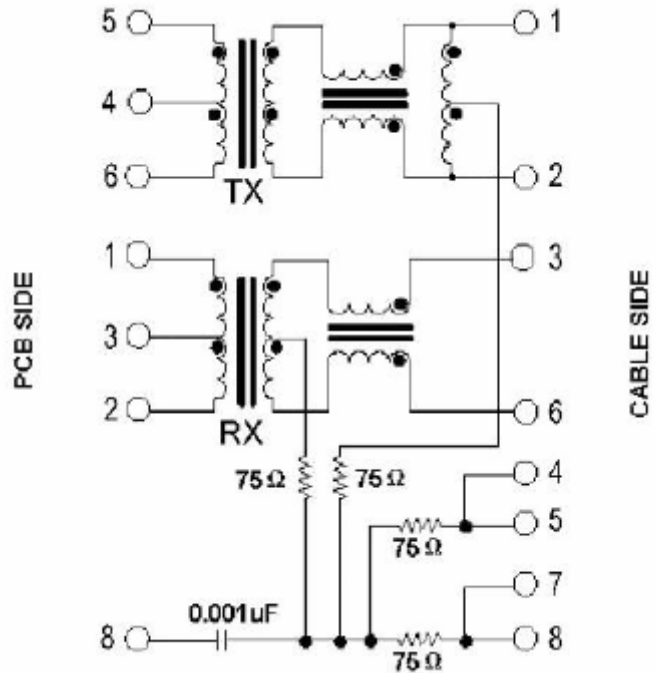
RoHS Compliant

SCHEMATICS

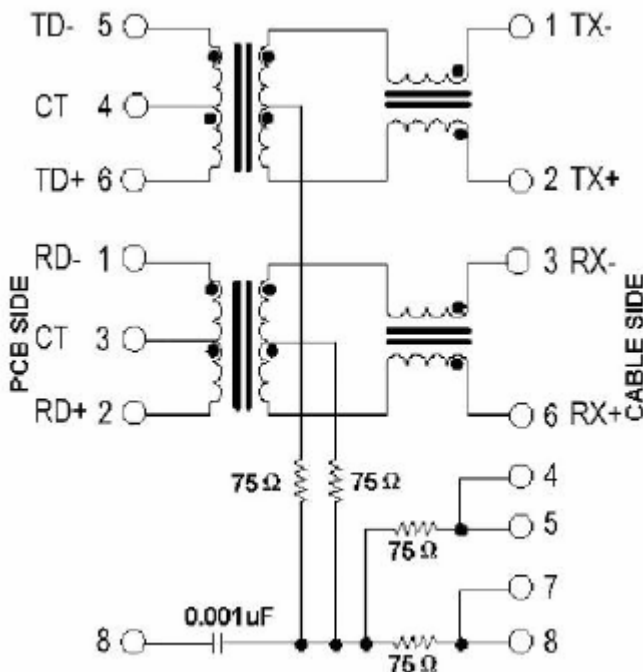
RJ3213F-62F



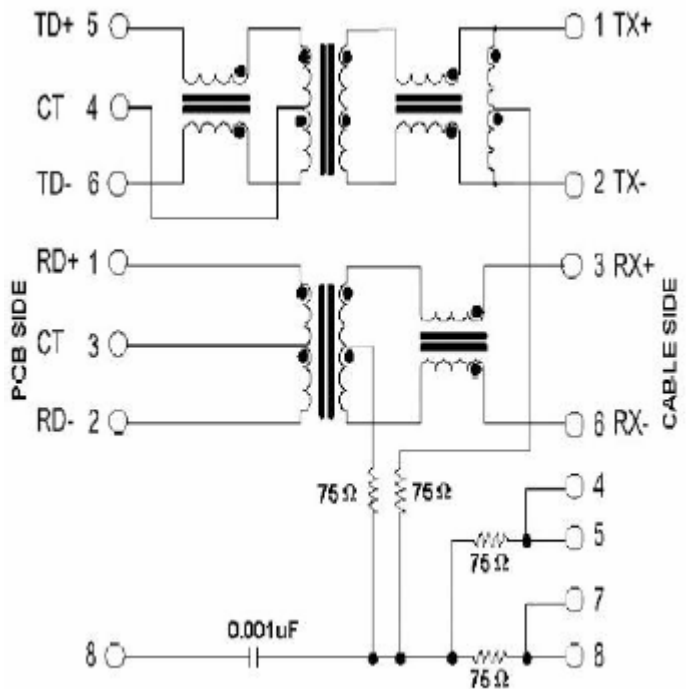
RJ3213F-62G



RJ3213F-62H



RJ3213F-62I



RJ3213F SERIES ~

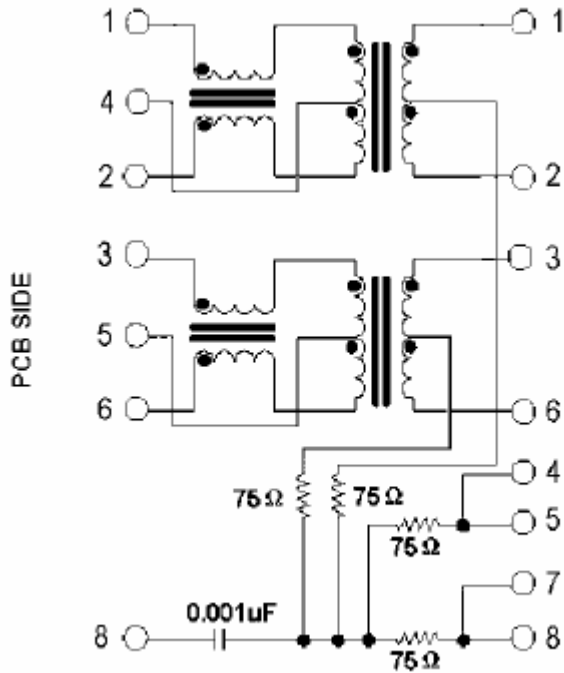
RJ45 10/100 BASE-T JACK WITH MAGNETIC MODULE

SCHEMATICS

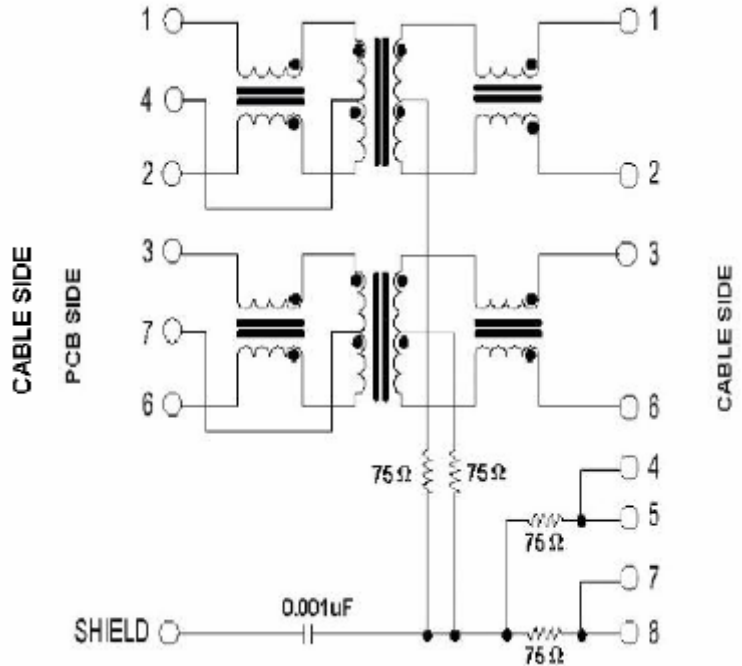


RoHS Compliant

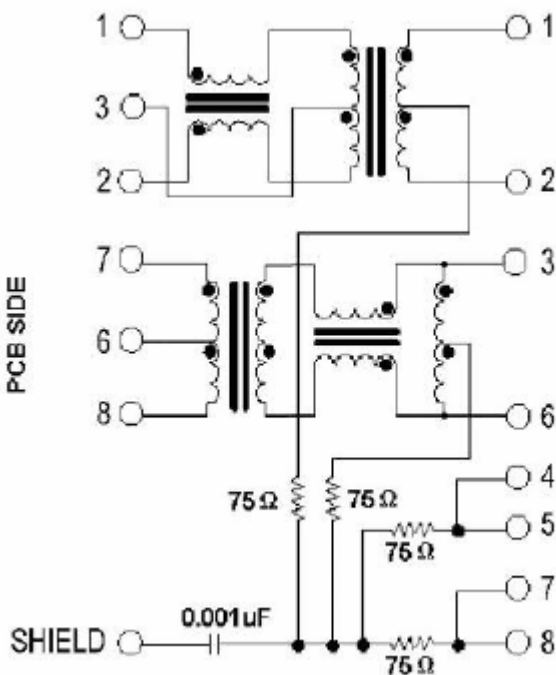
RJ3213F-62J



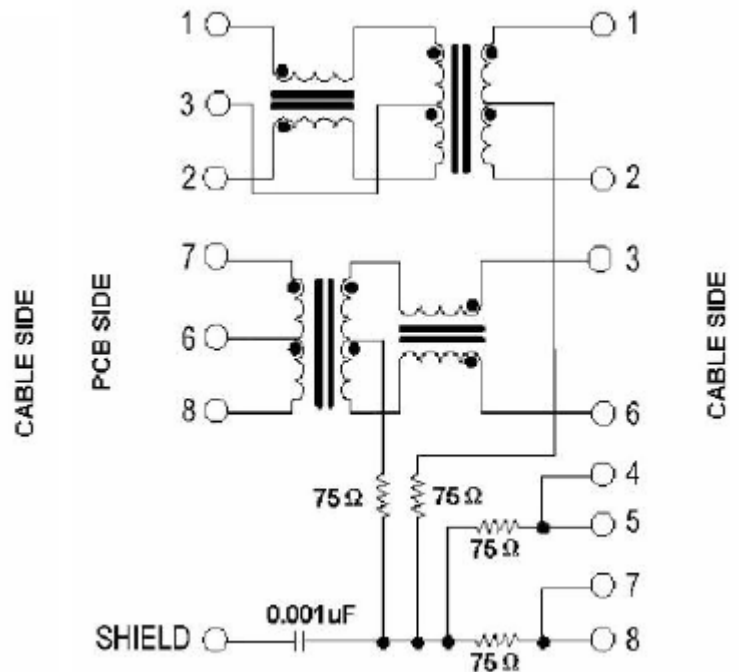
RJ3213F-62K



RJ3213F-62L



RJ3213F-62M



RJ3213F SERIES ~

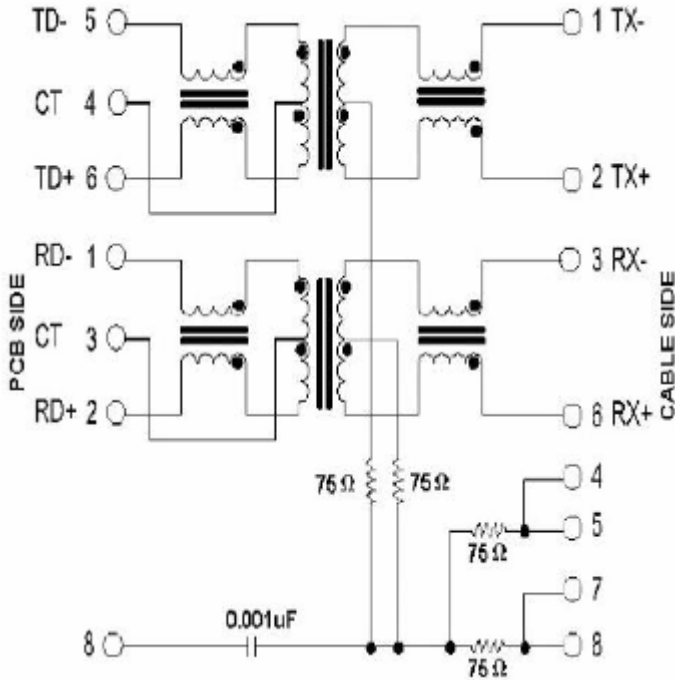
RJ45 10/100 BASE-T JACK WITH MAGNETIC MODULE



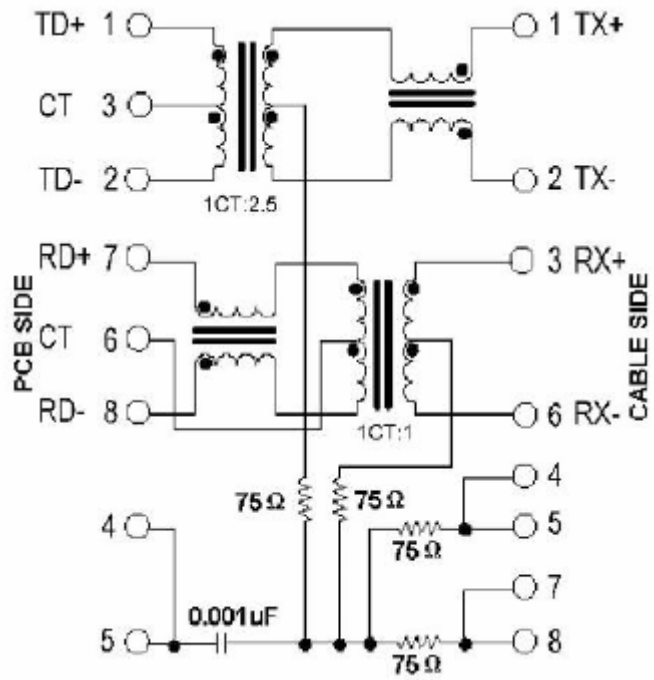
RoHS Compliant

SCHEMATICS

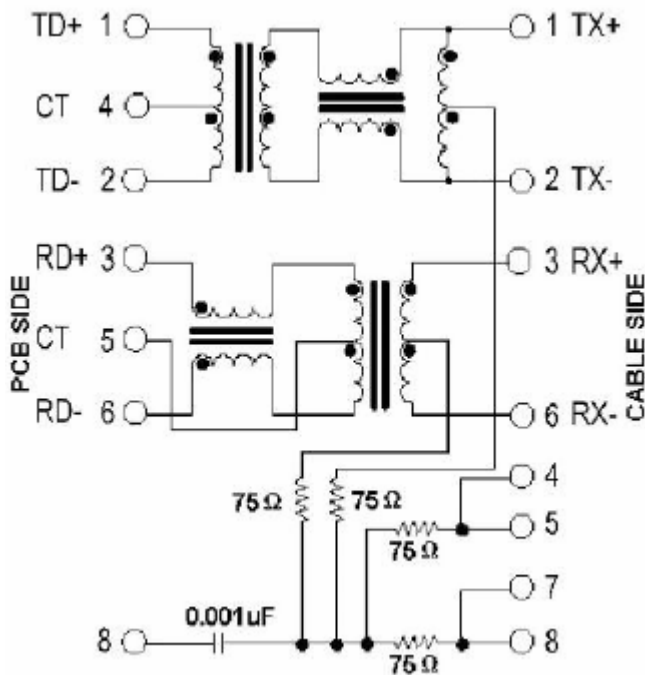
RJ3213F-62N



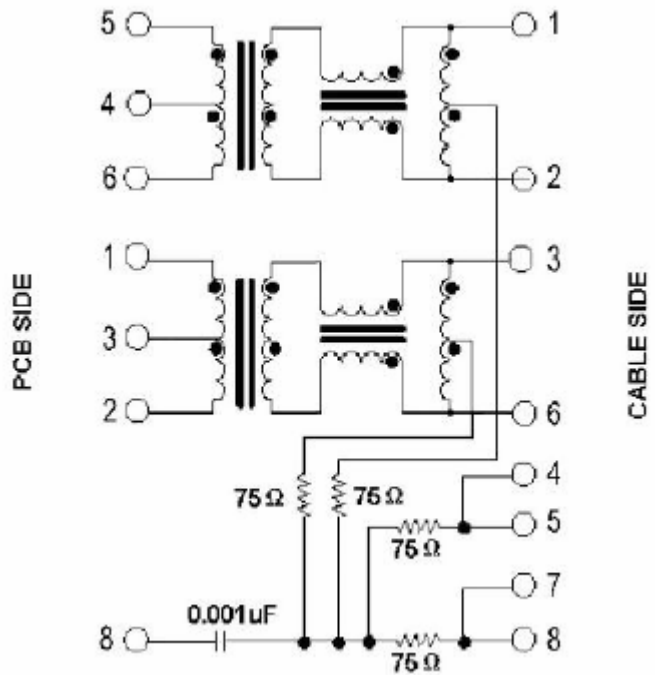
RJ3213F-62P



RJ3213F-62Q



RJ3213F-62T



RJ3213F SERIES ~

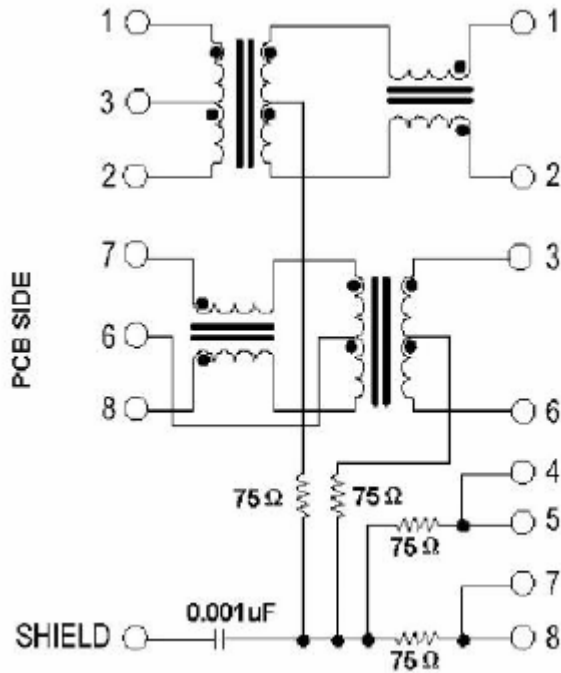
RJ45 10/100 BASE-T JACK WITH MAGNETIC MODULE

SCHEMATICS

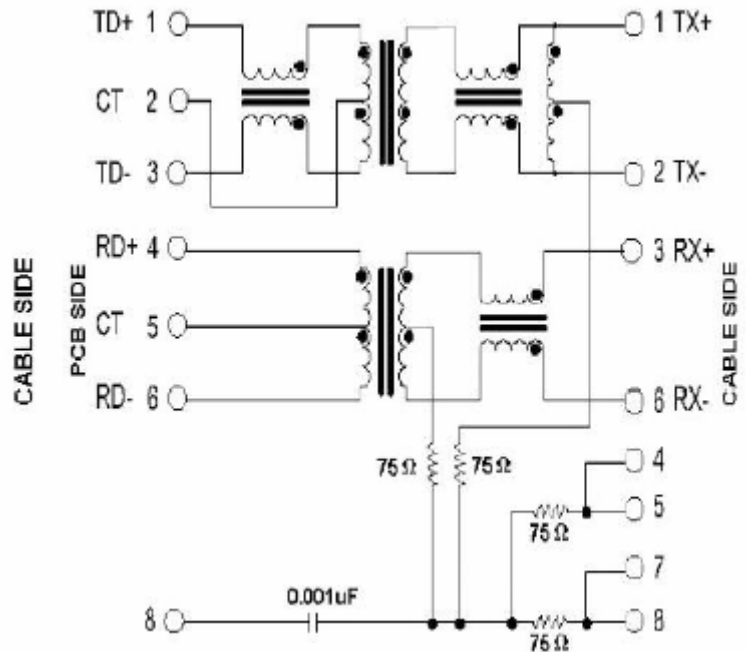


RoHS Compliant

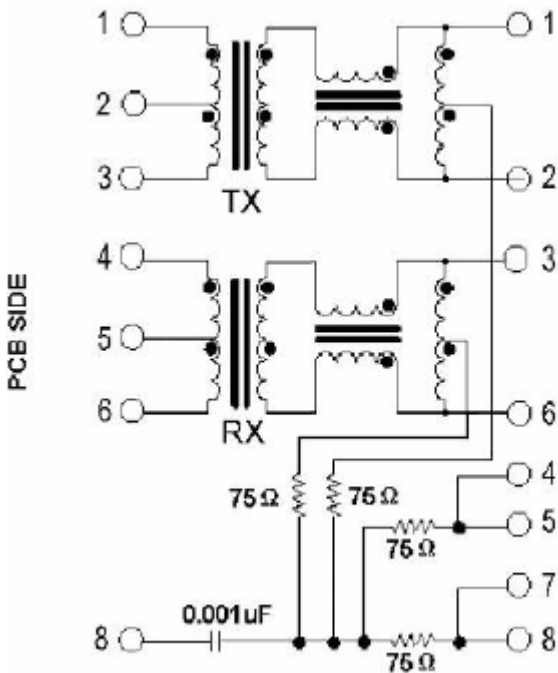
RJ3213F-62U



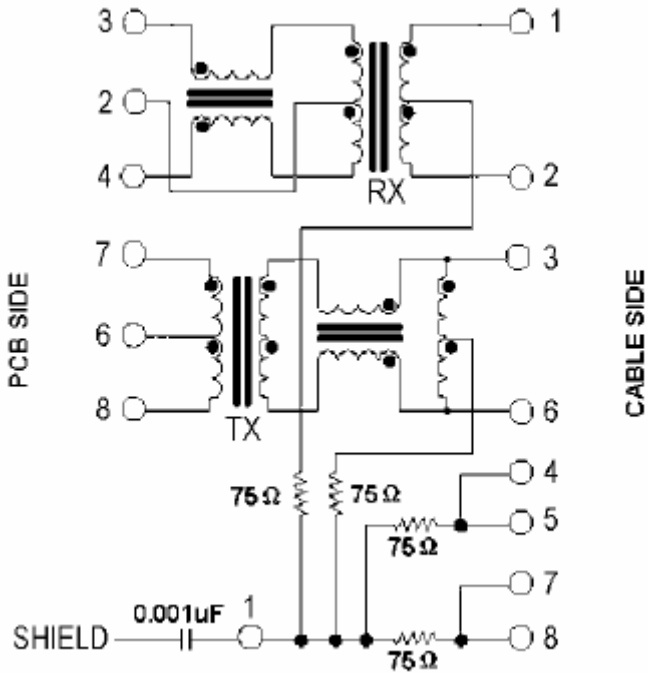
RJ3213F-62W



RJ3213F-62X



RJ3213F-62Z



RJ3213F SERIES ~

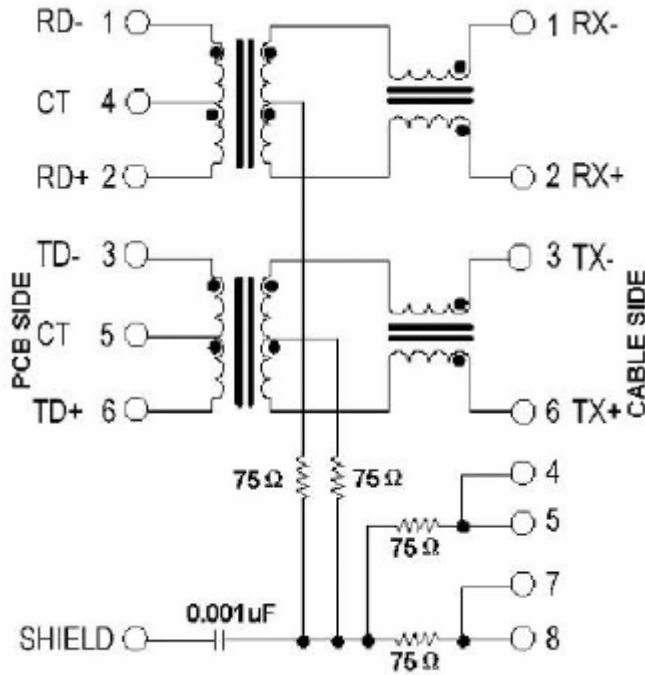
RJ45 10/100 BASE-T JACK WITH MAGNETIC MODULE



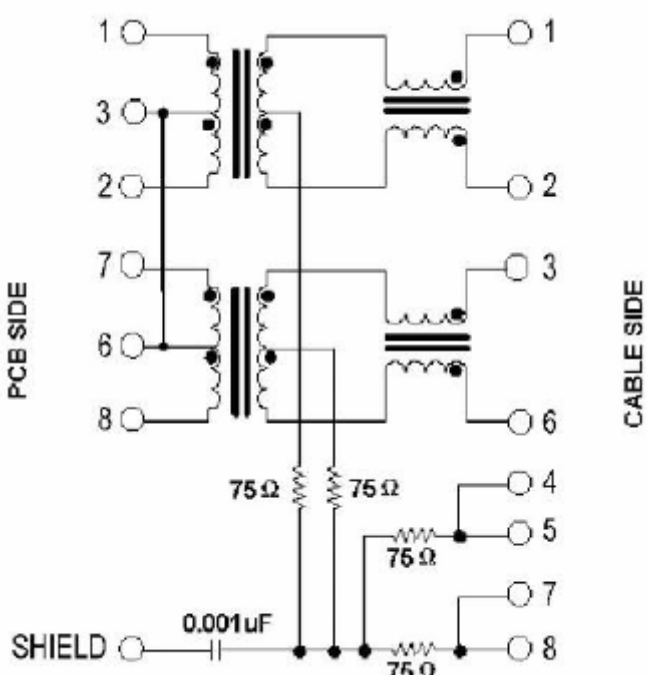
RoHS Compliant

SCHEMATICS

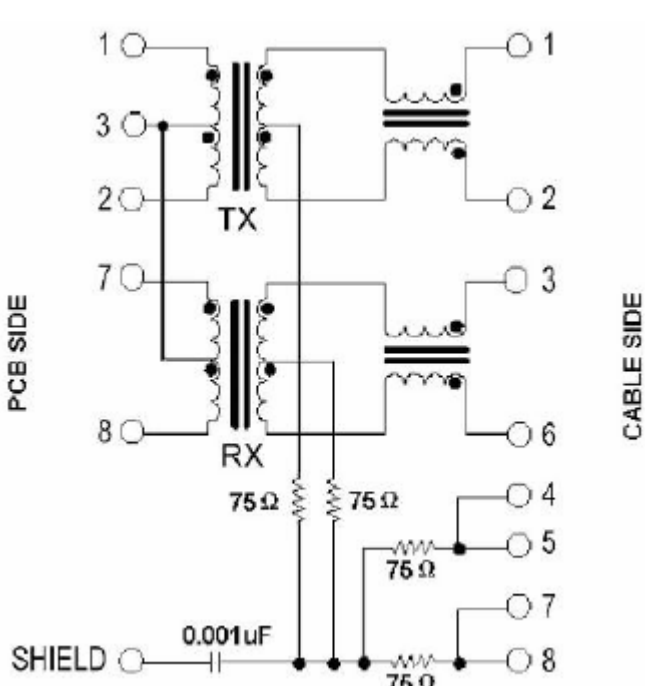
RJ3213F-63A



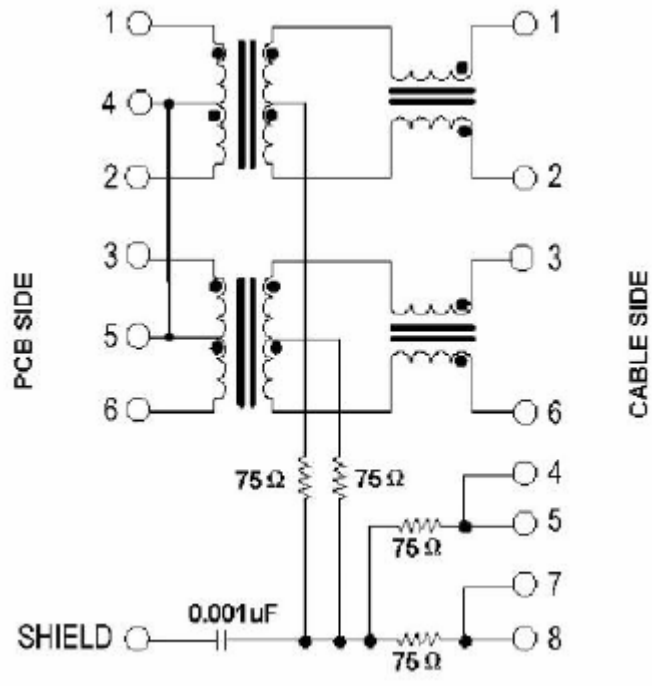
RJ3213F-63B



RJ3213F-63C



RJ3213F-63F



RJ3213F SERIES ~

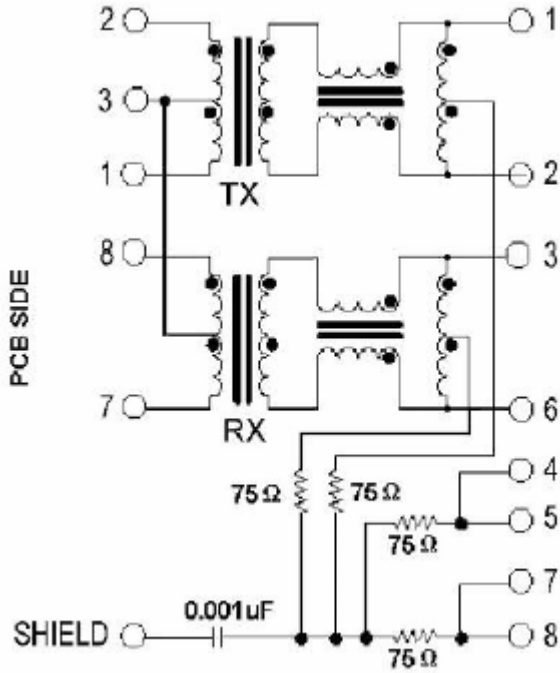
RJ45 10/100 BASE-T JACK WITH MAGNETIC MODULE

SCHEMATICS

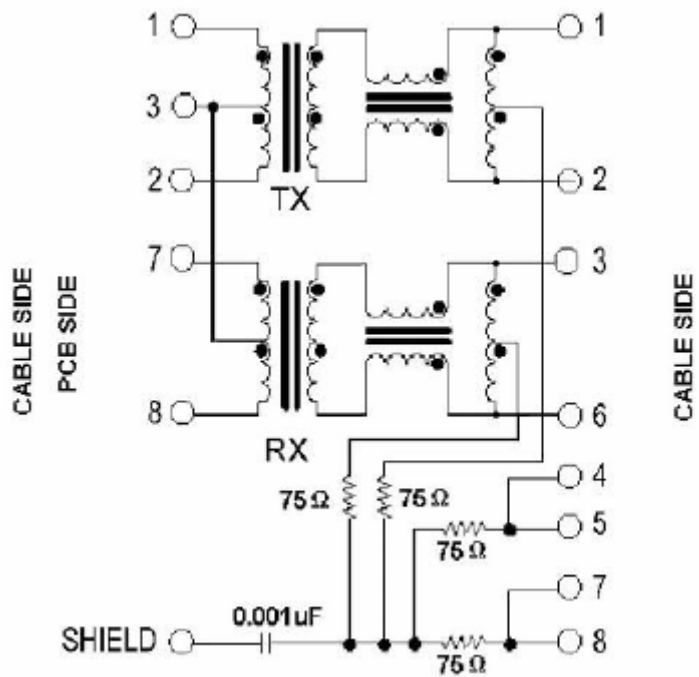


RoHS Compliant

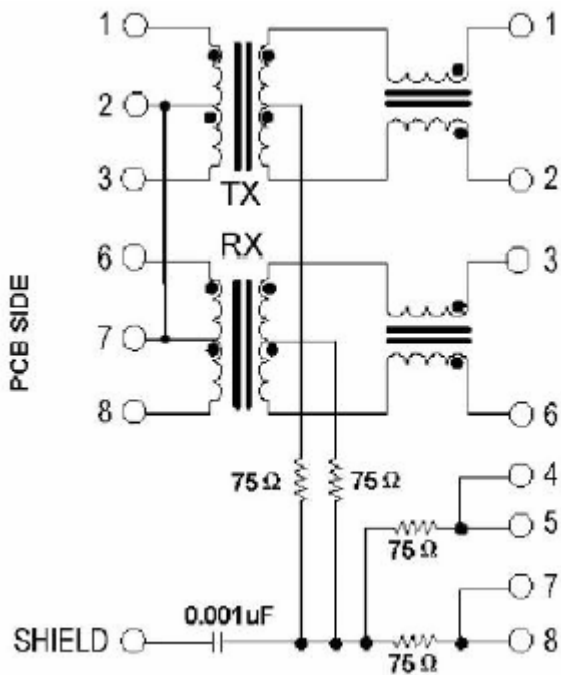
RJ3213F-63H



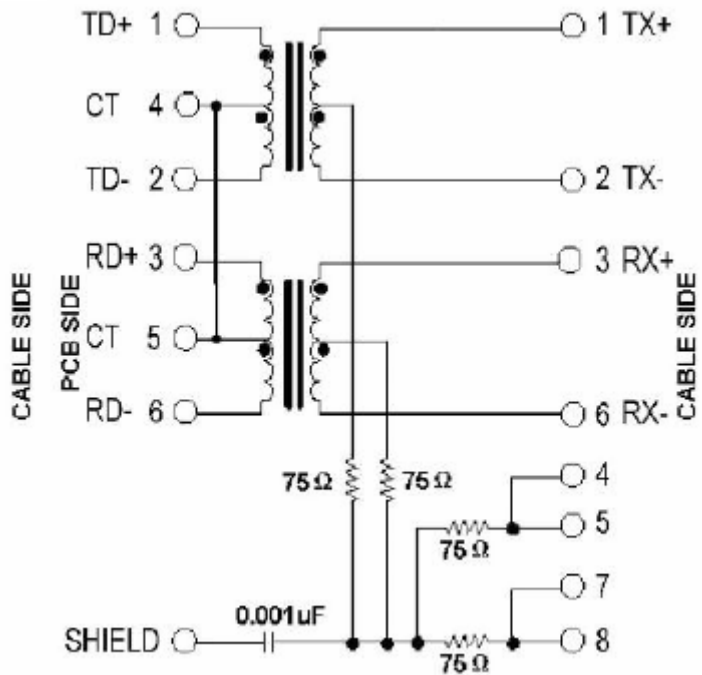
RJ3213F-63I



RJ3213F-63J



RJ3213F-63K



RJ3213F SERIES ~

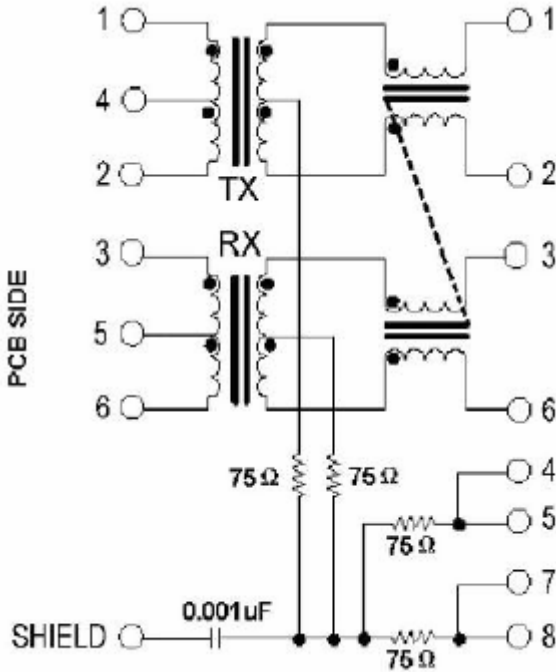
RJ45 10/100 BASE-T JACK WITH MAGNETIC MODULE



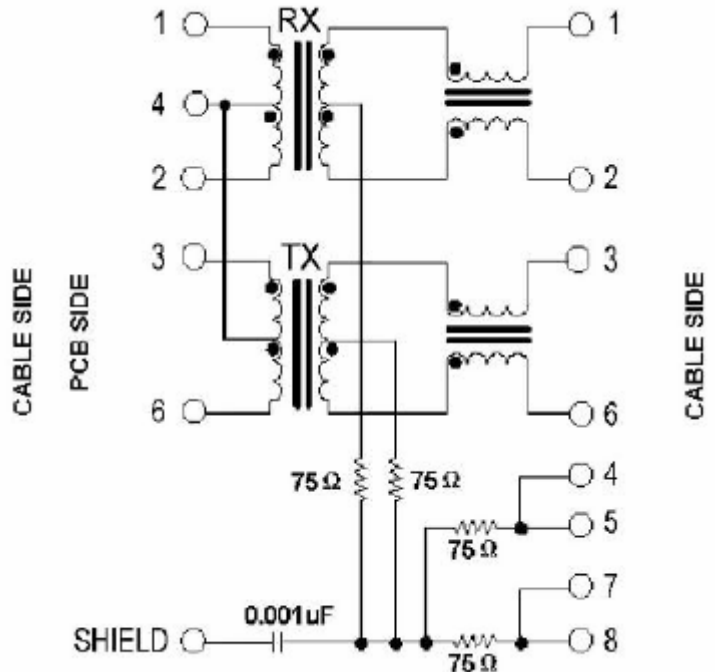
RoHS Compliant

SCHEMATICS

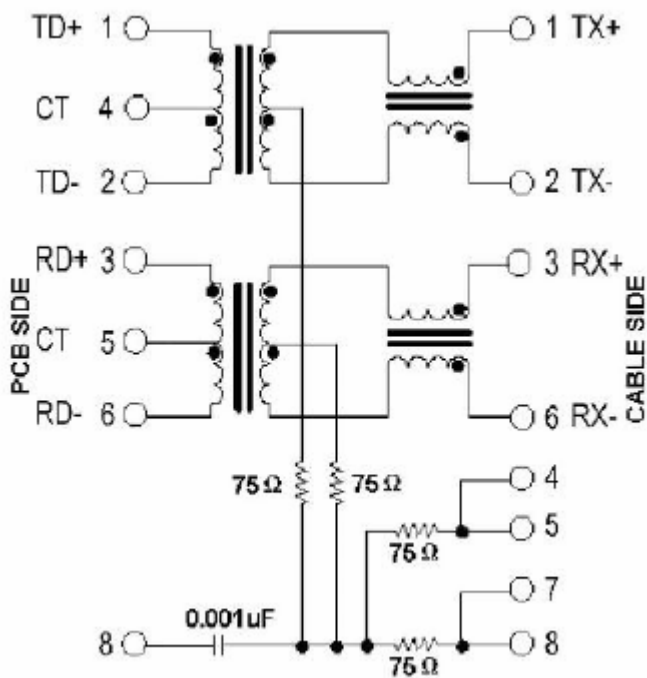
RJ3213F-63L



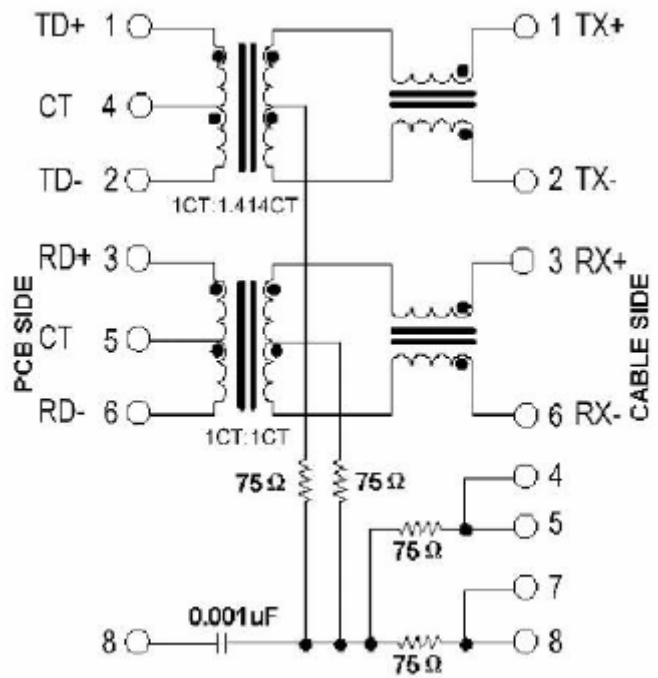
RJ3213F-63M



RJ3213F-64



RJ3213F-64A



RJ3213F SERIES ~

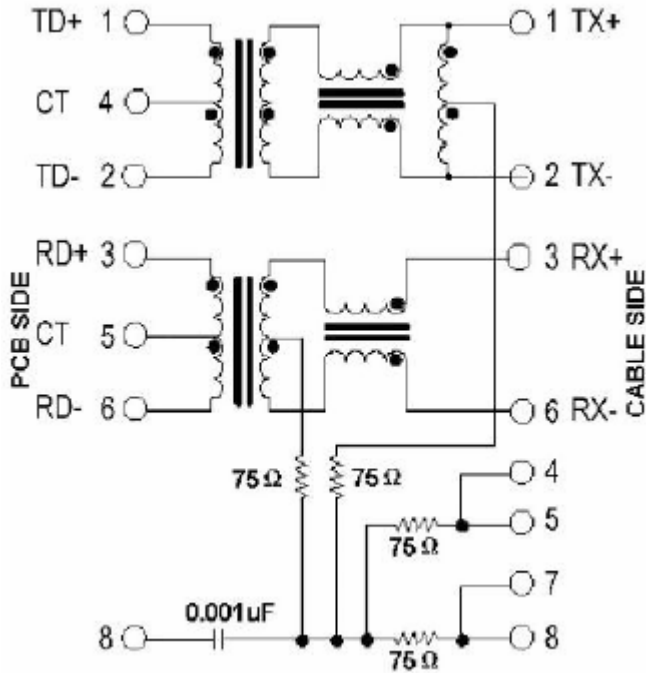
RJ45 10/100 BASE-T JACK WITH MAGNETIC MODULE



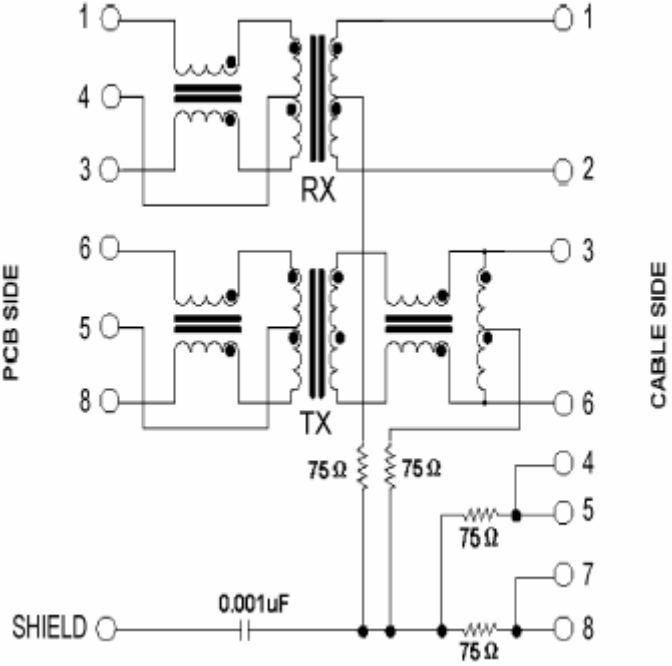
RoHS Compliant

SCHEMATICS

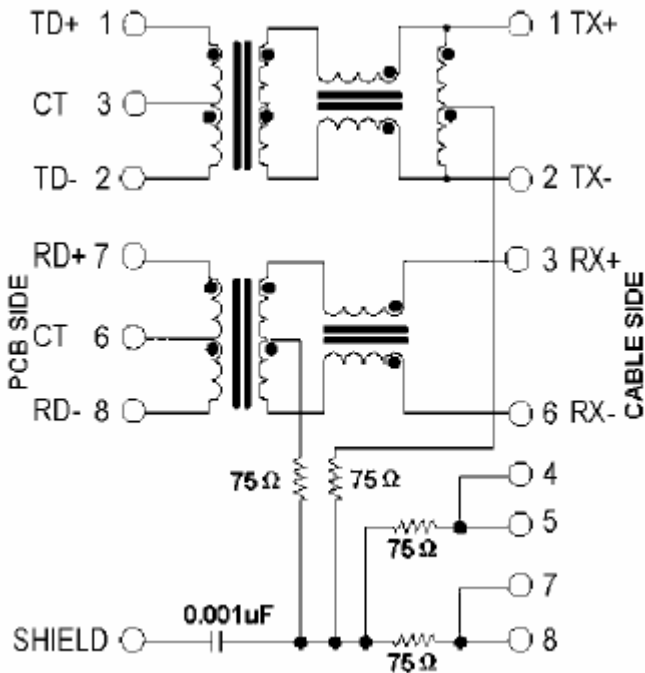
RJ3213F-64B



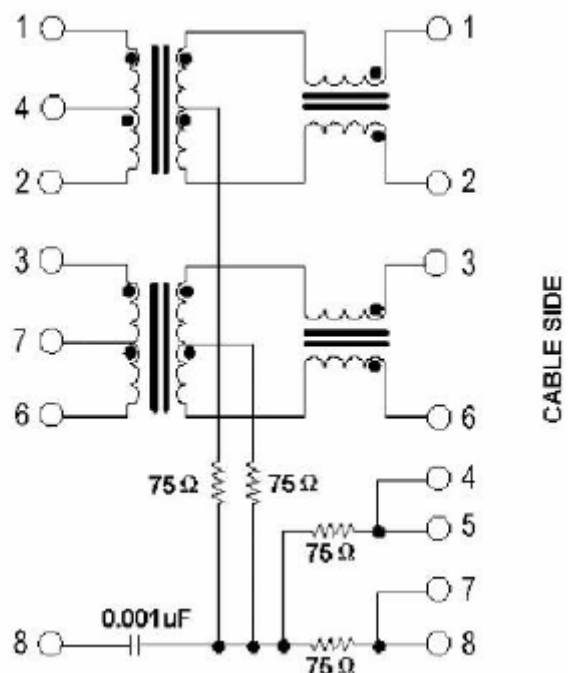
RJ3213F-64J



RJ3213F-64K



RJ3213F-65



RJ3213F SERIES ~

RJ45 10/100 BASE-T JACK WITH MAGNETIC MODULE

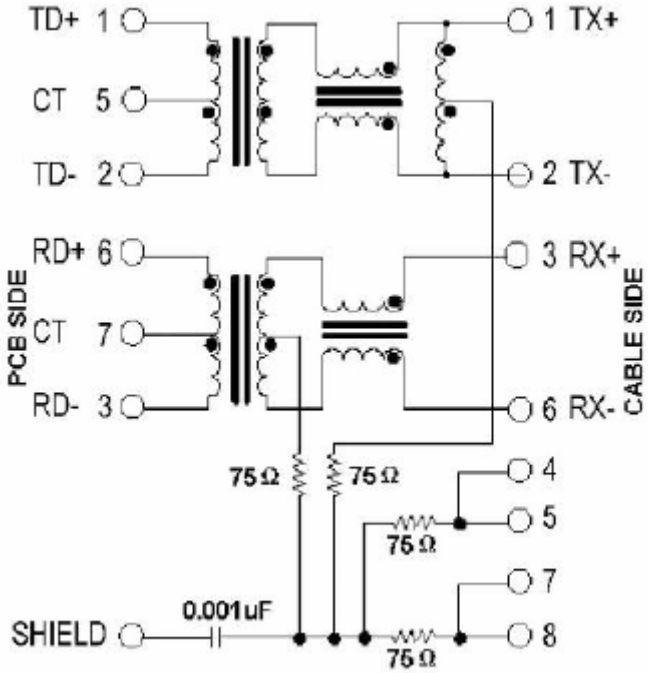
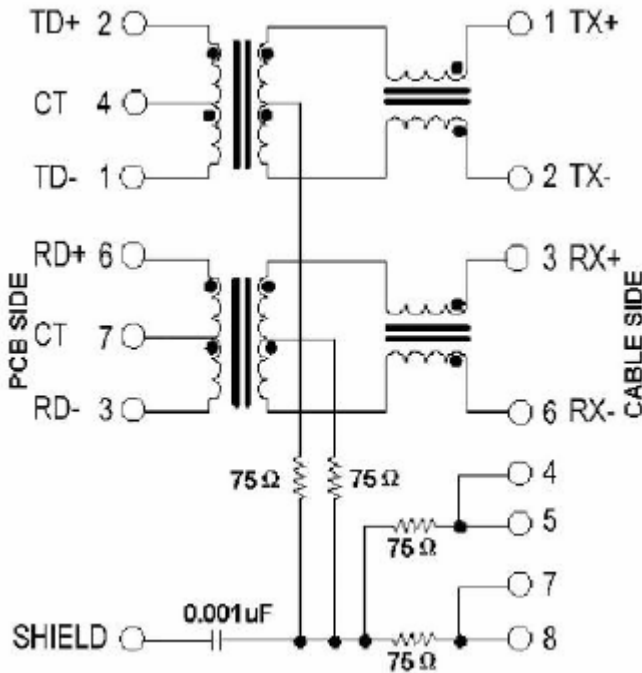


RoHS Compliant

SCHEMATICS

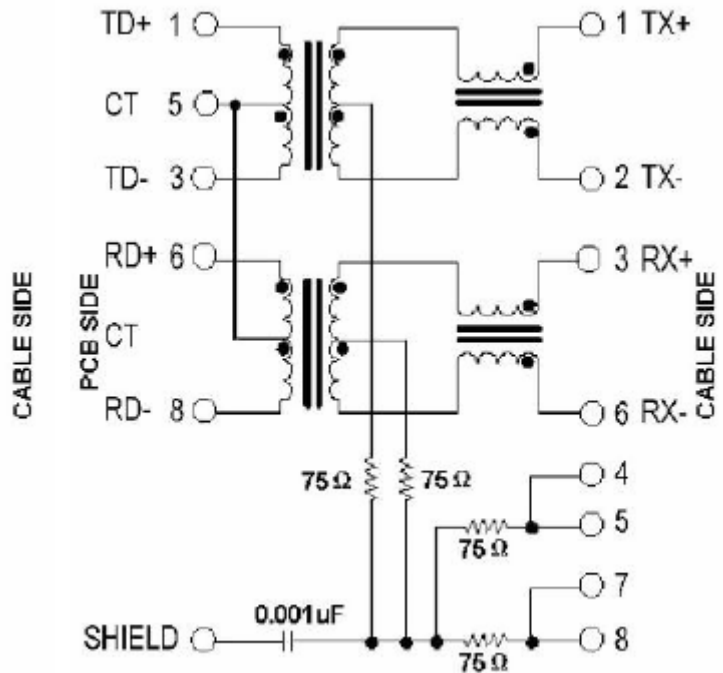
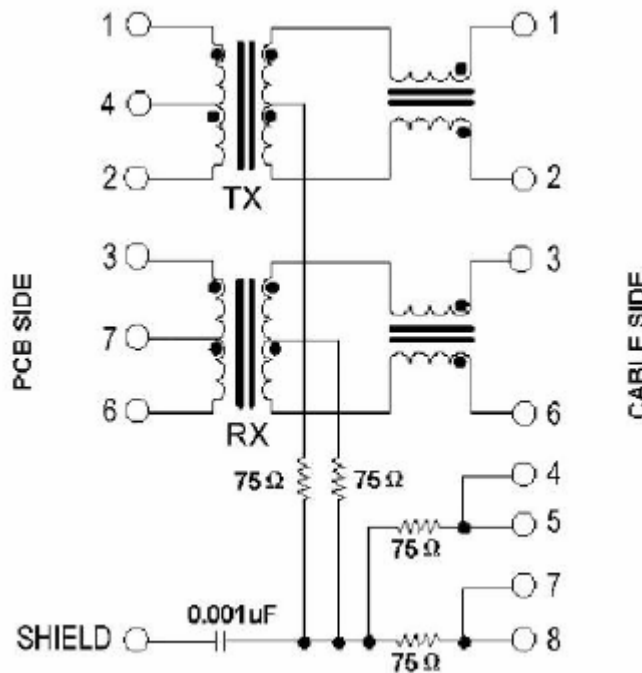
RJ3213F-66

RJ3213F-66A



RJ3213F-66B

RJ3213F-67A



RJ3213F SERIES ~

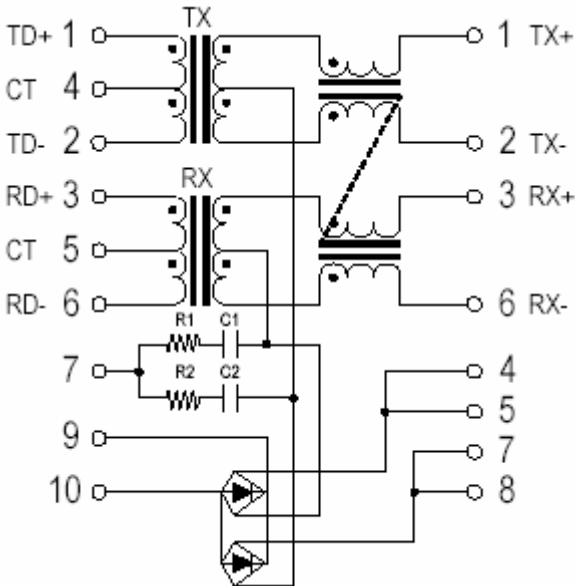
RJ45 10/100 BASE-T JACK WITH MAGNETIC MODULE

SCHEMATICS



RoHS Compliant

RJ3213F-67B



RJ3213F-69

