

RJ3244F SERIES ~

THROUGH HOLE RJ45/DUAL USB JACK WITH 10/100 MAGNETIC



RoHS Compliant

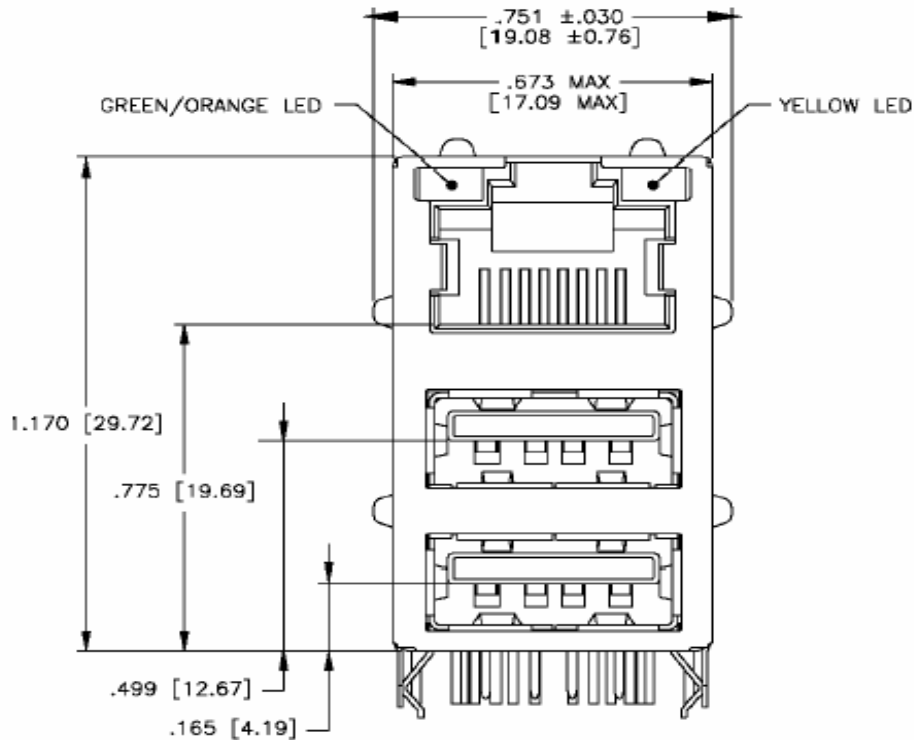
FEATURES

- LAN interface suitable for 10/100Base-TX applications
- RJ45/USB stacked design saves on PCB real estate
- USB module complies with USB 2.0 standards and meets CAT5 Fast Ethernet industry performance standard
- Magnetics are 100% electrically tested for HI-POT and continuity
- Meets or exceeds IEEE 802.3 and ANSI X3.263 standards including 350uH minimum OCL with 8mA bias

ELECTRICAL SPECIFICATIONS

P/N	Turns Ratio		Data Rate	LEDs	Insertion Loss TX/RX (dB Typ.)	Return Loss @100Ω±15Ω (dB Typ.)			Common Mode Rejection (dB Typ.) MHz		Cross Talk (dB Typ.) MHz			Hipot Vrms @60Hz
	TX	RX				MHz			MHz		MHz			
	L/R	1-65MHz		1~10	30	60~80	1-50	50-130	1-10	32-60	60-100			
RJ3244F-10101DYD2-LF	1CT:1	1CT:1	10/100	G-O/Y	-1	-20	-16	-12	-30	-20	-40	-35	-30	1500

DIMENSIONS



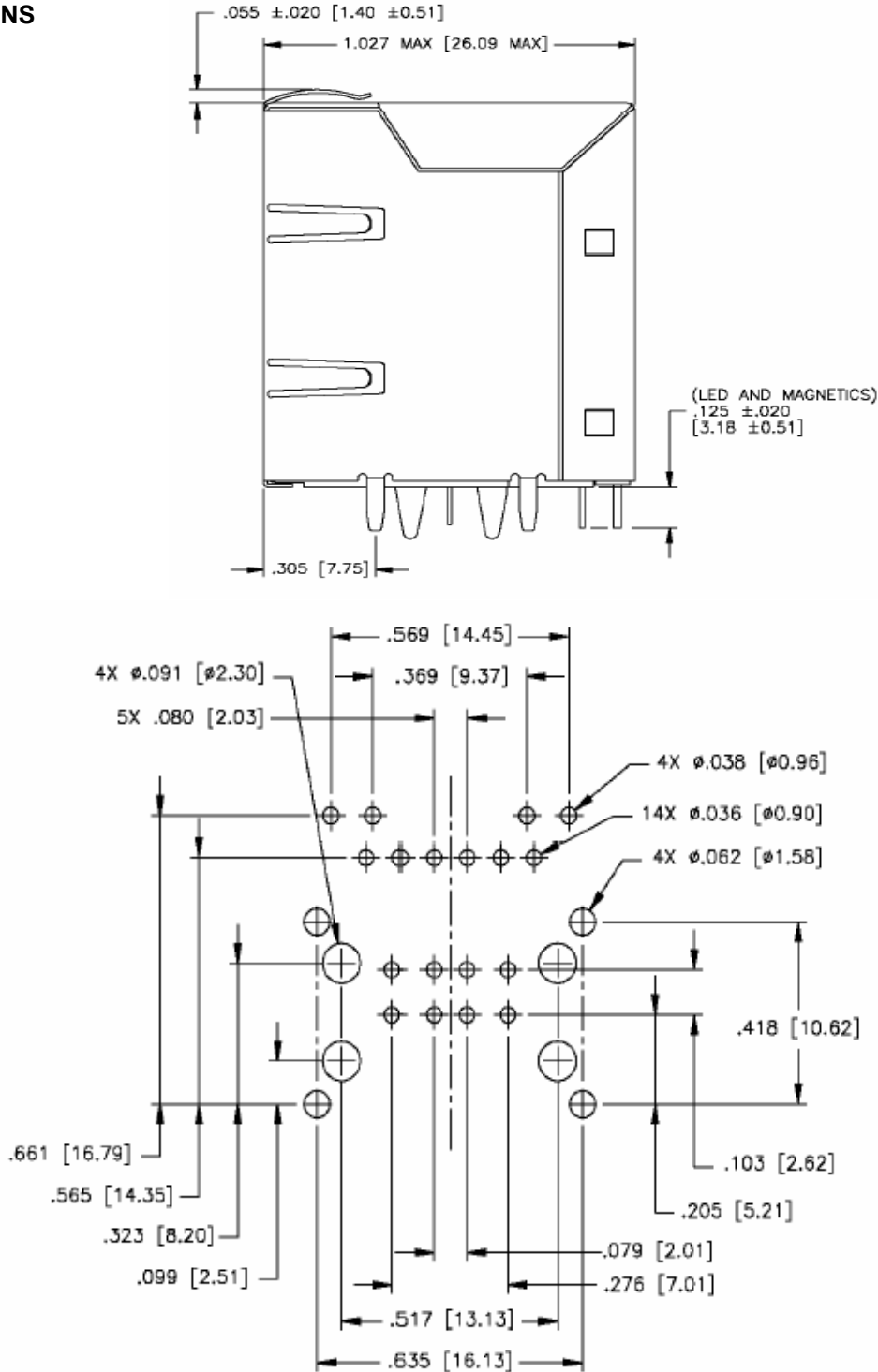
RJ3244F SERIES ~

**THROUGH HOLE RJ45/DUAL USB JACK WITH 10/100
MAGNETIC**



RoHS Compliant

DIMENSIONS



SUGGESTED FOOTPRINT (SHOWN FROM COMPONENT SIDE)

DIMENSIONAL TOLERANCE: INCHES [METRIC]

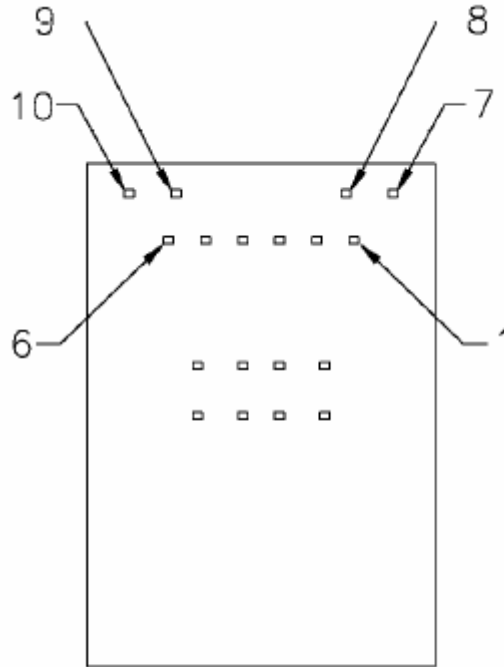
.XXX $\pm .003$ [X.XX ± 0.08]

RJ3244F SERIES ~

**THROUGH HOLE RJ45/DUAL USB JACK WITH 10/100
MAGNETIC
DIMENSIONS**



RoHS Compliant



PIN CONFIGURATION (SHOWN FROM COMPONENT SIDE)

SCHEMATICS

