

RJ3245F SERIES ~

RJ45 10/100/1000 BASE-TX JACK/Dual USB Combo

FEATURES

- LAN interface suitable for 10/100/1000Base-TX applications
- RJ45/USB stacked design saves on PCB real estate
- USB module complies with USB 2.0 standards and meets CAT5 Fast Ethernet industry performance standard
- Magnetics are 100% electrically tested for HI-POT and continuity
- Meets or exceeds IEEE 802.3 and ANSI X3.263 standards including 350uH minimum OCL with 8mA bias



RoHS Compliant

ELECTRICAL SPECIFICATIONS

P/N	Turns Ratio		Data Rate	LEDs	Insertion Loss (dB Typ.)	Return Loss 100Ω±15Ω(dB Typ.) MHz			Common Mode Rejection (dB Typ.) MHz		Cross Talk (dB Typ.) MHz			Hipot
	TX	RX		L/R		MHz			MHz		MHz			Vrms @60Hz
						1-100MHz	1~30	30~60	60~80	1-50	50-100	1-10	32-60	
RJ3245F-10102DYD2-LF	1CT:1	1CT:1	10/100	G-O/Y	-1	-18	-16	-12	-30	-20	-40	-35	-30	1500
RJ3245F-10103YDD2-LF	1CT:1	1CT:1	10/100	Y/G-O	-1	-18	-16	-12	-30	-30	-35	-35	-35	1500
RJ3245F-10104GYD2-LF	1CT:1	1CT:1	10/100	G/Y	-1	-20	-14	-12	-30	-30	-35	-35	---	1500
RJ3245F-10201DYD2-LF	1CT:1	1CT:1	10/100/1000	G-O/Y	-1	-18	-16	-12	-30	-30	-35	-35	-35	1500
RJ3245F-10202GDD2-LF	1CT:1	1CT:1	10/100/1000	G/G-O	-1	-18	-16	-12	-30	-25	-40	-40	-35	1500
RJ3245F-10203GDD2-LF	1CT:1	1CT:1	10/100/1000	G/G-O	-1	-18	-16	-12	-30	-20	-40	-35	-30	1500

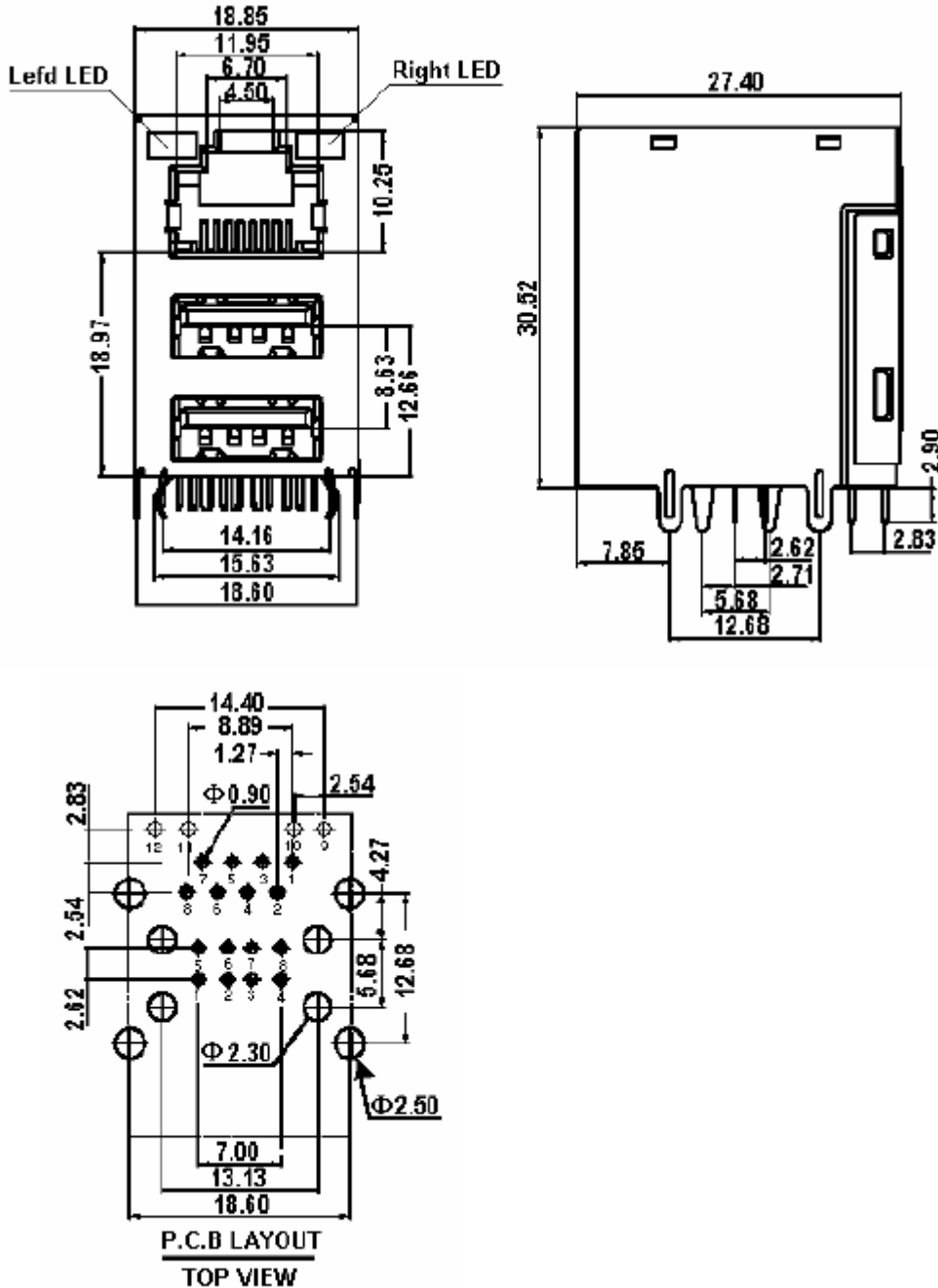
RJ3245F SERIES ~

RJ45 10/100/1000 BASE-TX JACK/Dual USB Combo



RoHS Compliant

DIMENSIONS



※Unit : m/m , all tolerances are ± 0.25

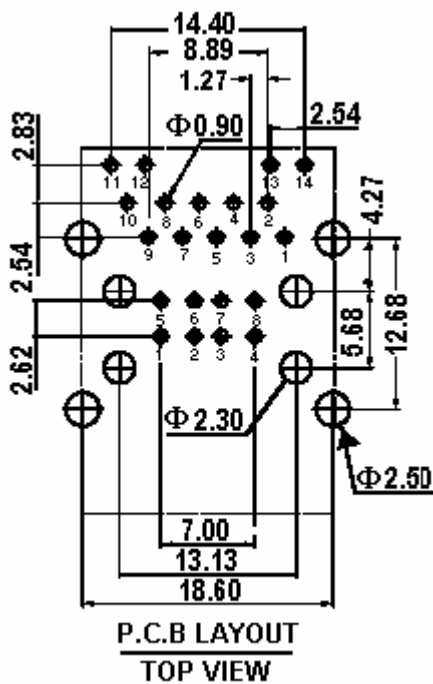
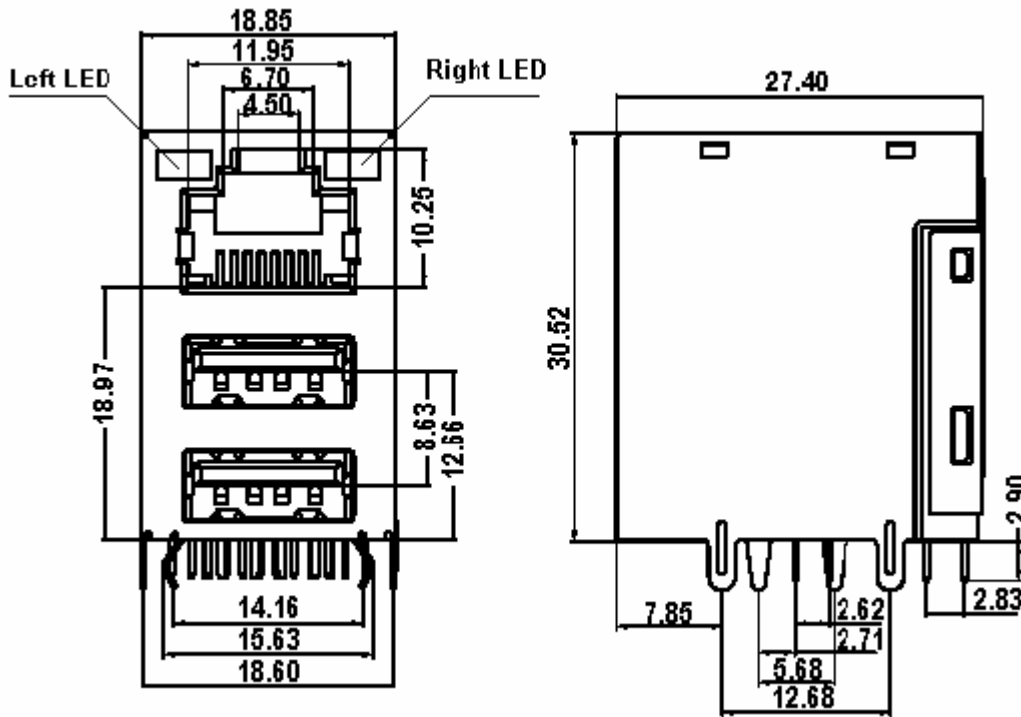
RJ3245F SERIES ~

RJ45 10/100/1000 BASE-TX JACK/Dual USB Combo



RoHS Compliant

DIMENSIONS



※Unit : m/m , all tolerances are ± 0.25

RJ3245F SERIES ~

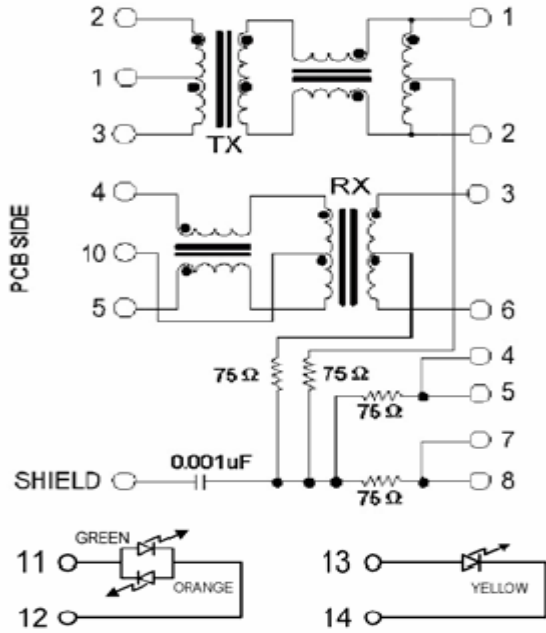
RJ45 10/100/1000 BASE-TX JACK/Dual USB Combo

SCHEMATICS

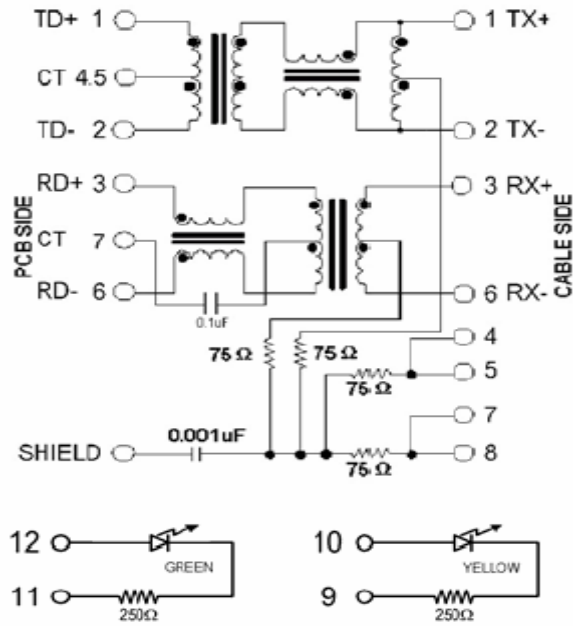


RoHS Compliant

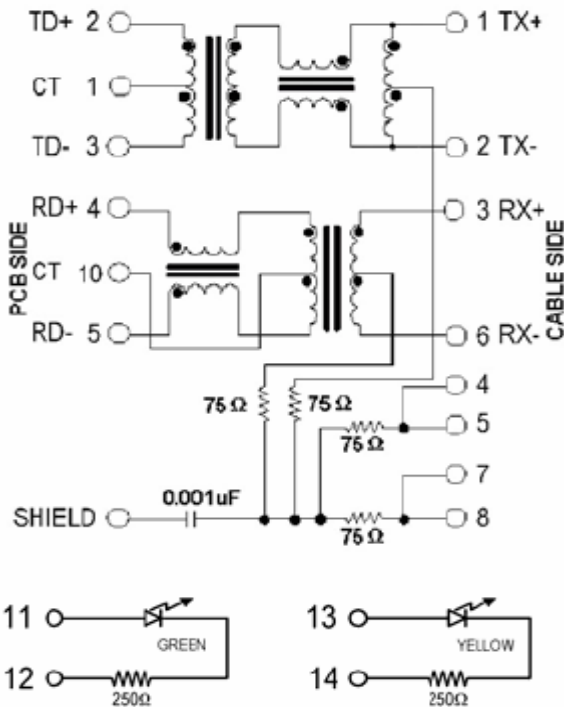
RJ3245F-10101



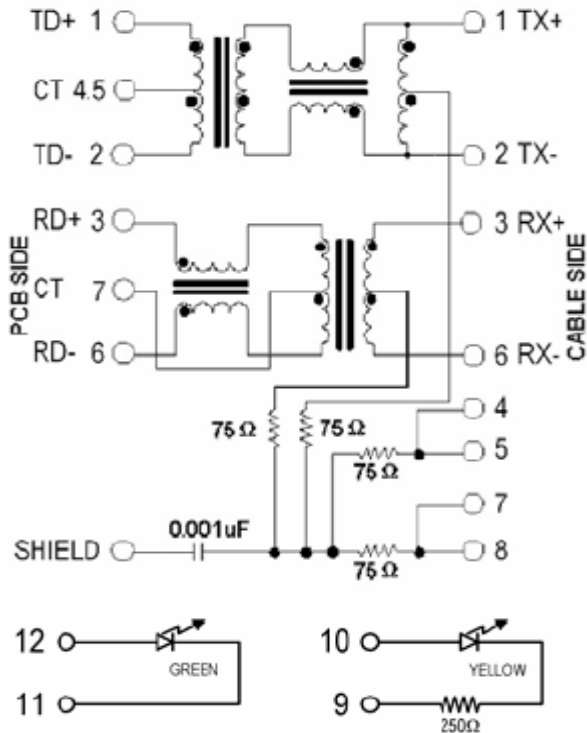
RJ3245F-10102



RJ3245F-10103



RJ3245F-10104

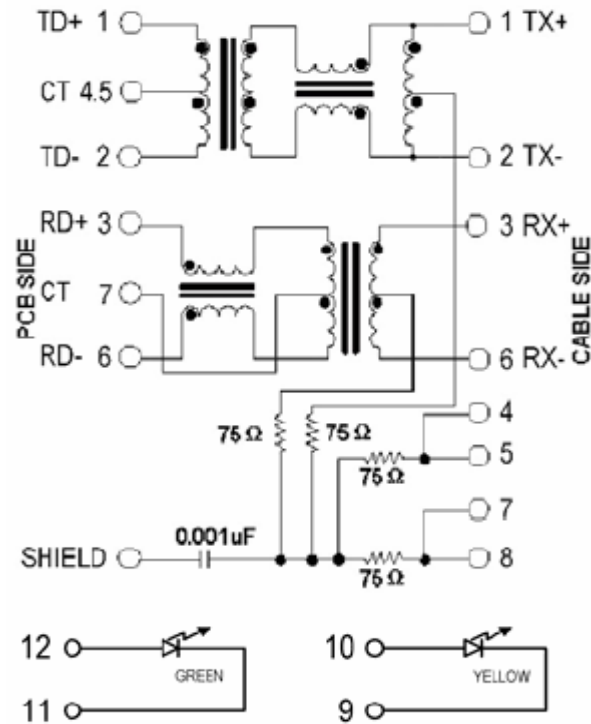


RJ3245F SERIES ~

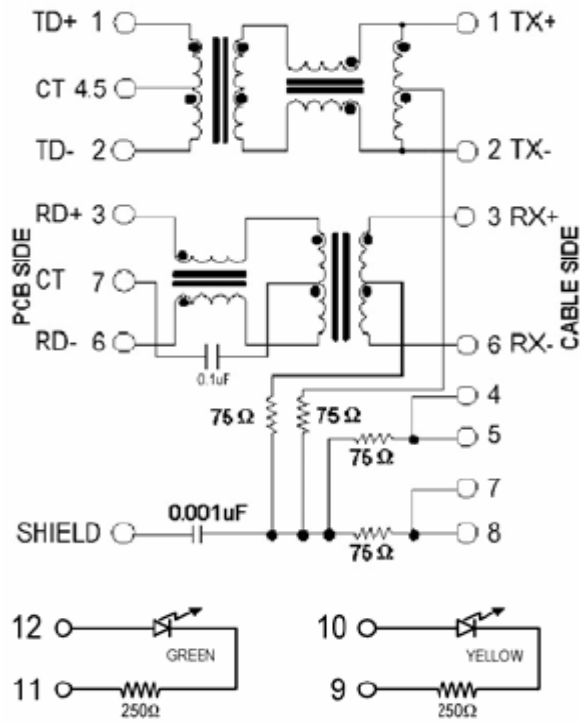
RJ45 10/100/1000 BASE-TX JACK/Dual USB Combo

SCHEMATICS

RJ3245F-10104A

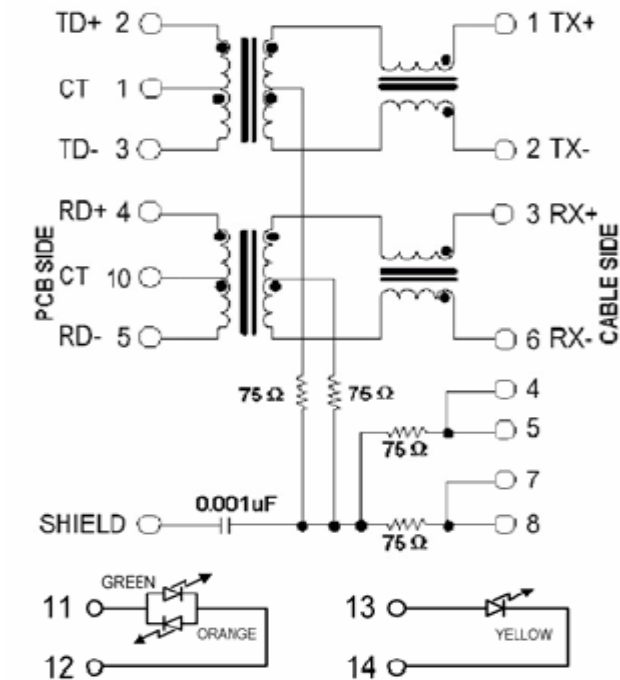


RJ3245F-10104B

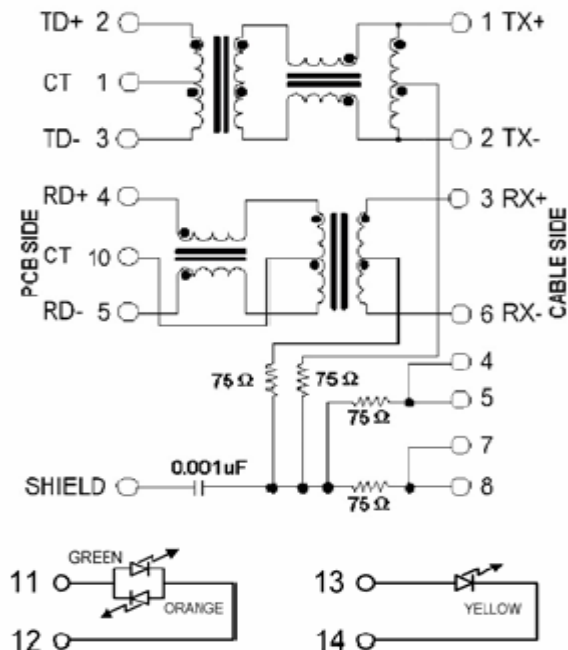


RoHS Compliant

RJ3245F-10105



RJ3245F-10105A



RJ3245F SERIES ~

RJ45 10/100/1000 BASE-TX JACK/Dual USB Combo

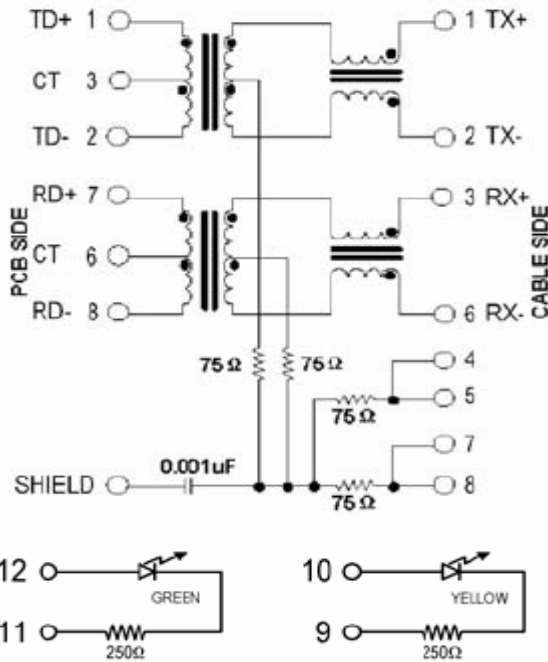
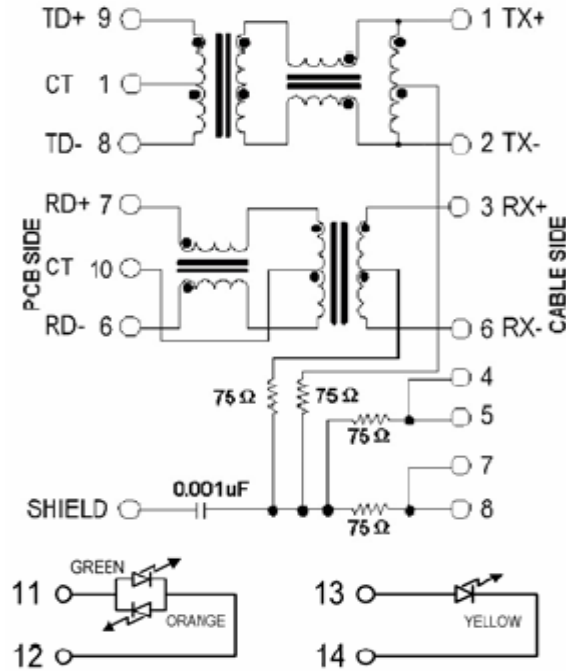
SCHEMATICS



RoHS Compliant

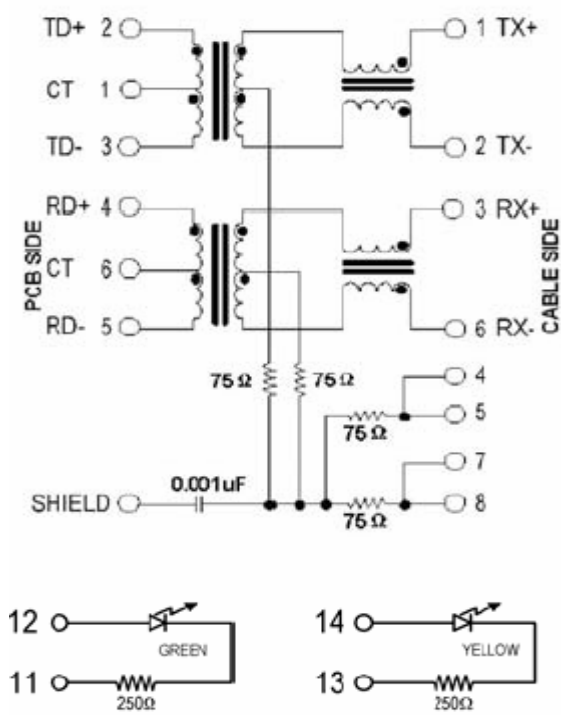
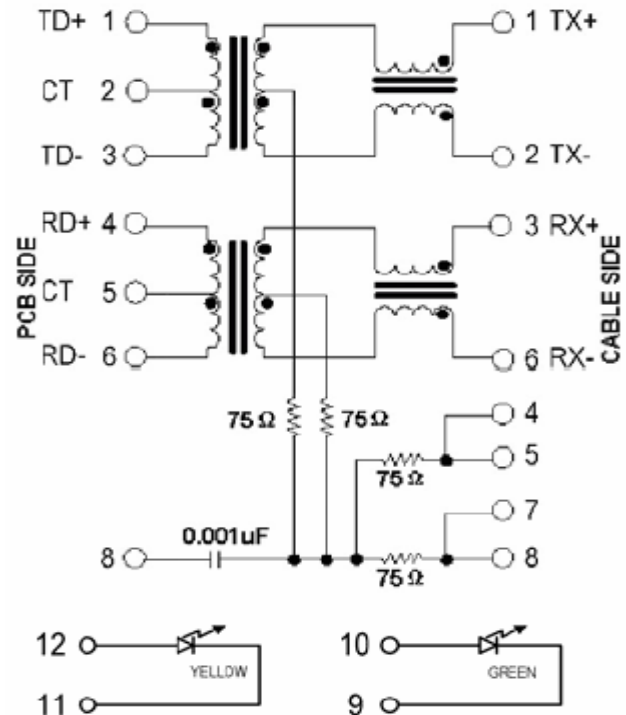
RJ3245F-10106

RJ3245F-10107



RJ3245F-10111

RJ3245F-10112



RJ3245F SERIES ~

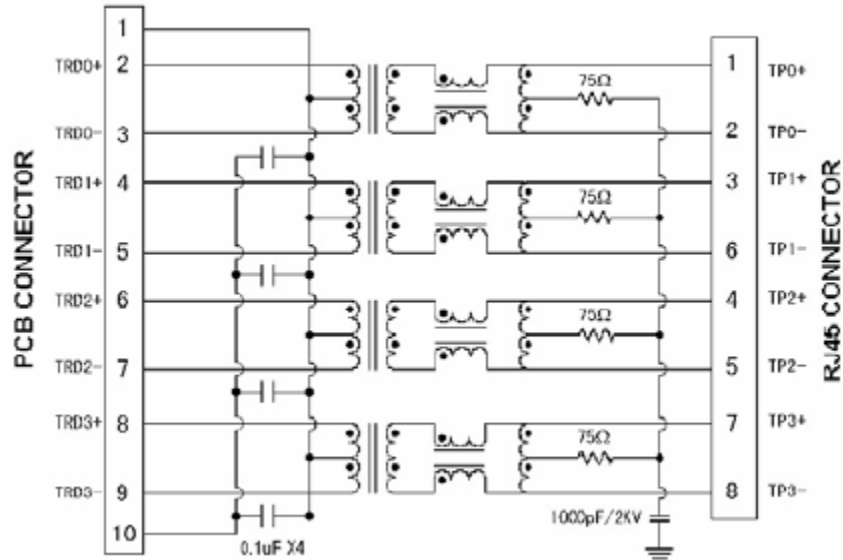
RJ45 10/100/1000 BASE-TX JACK/Dual USB Combo

SCHEMATICS

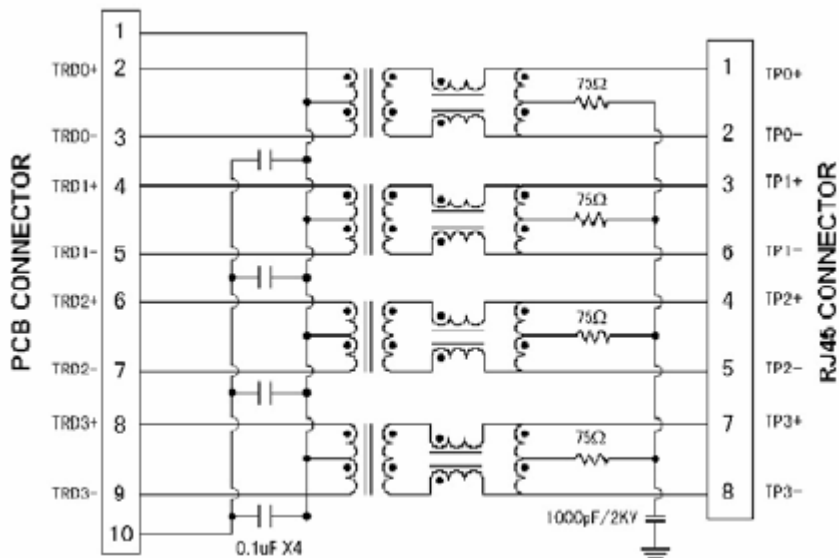
RJ3245F-10201



RoHS Compliant



RJ3245F-10202



RJ3245F SERIES ~

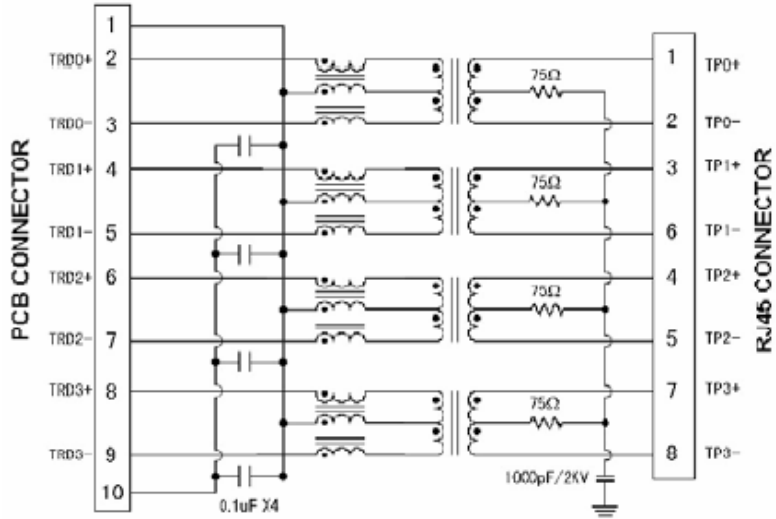
RJ45 10/100/1000 BASE-TX JACK/Dual USB Combo

SCHEMATICS

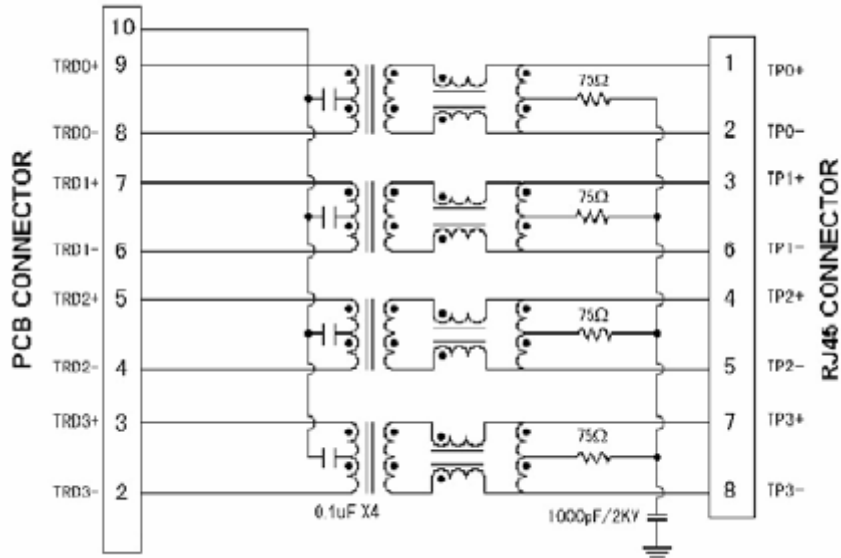
RJ3245F-10203



RoHS Compliant



RJ3245F-10204



RJ3245F SERIES ~

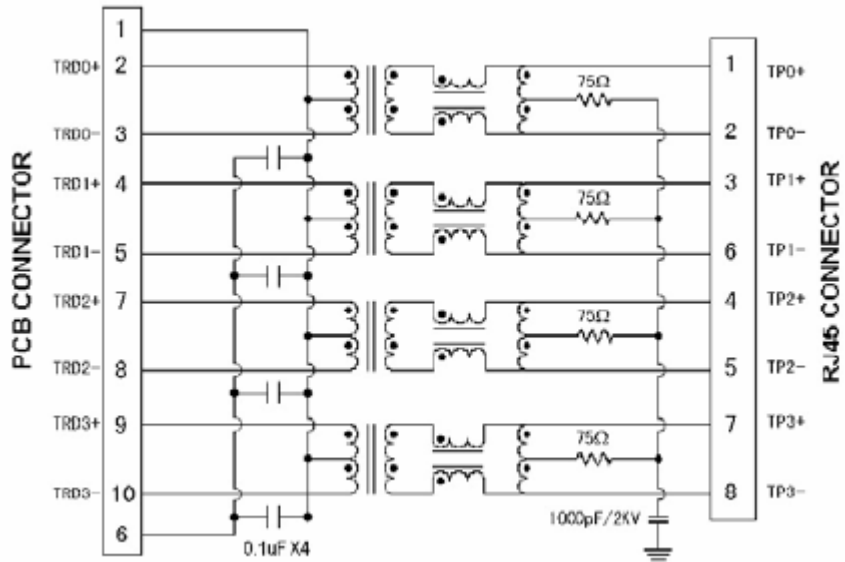
RJ45 10/100/1000 BASE-TX JACK/Dual USB Combo

SCHEMATICS

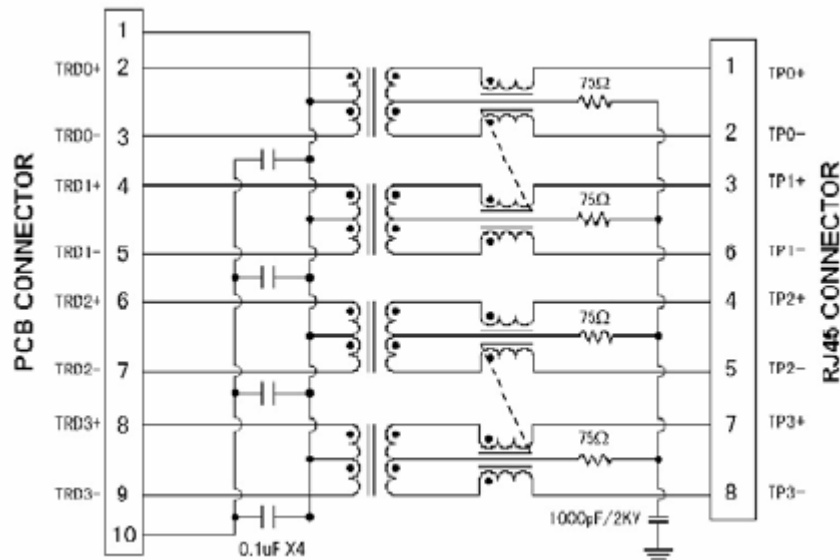
RJ3245F-10205



RoHS Compliant



RJ3245F-10206



RJ3245F SERIES ~

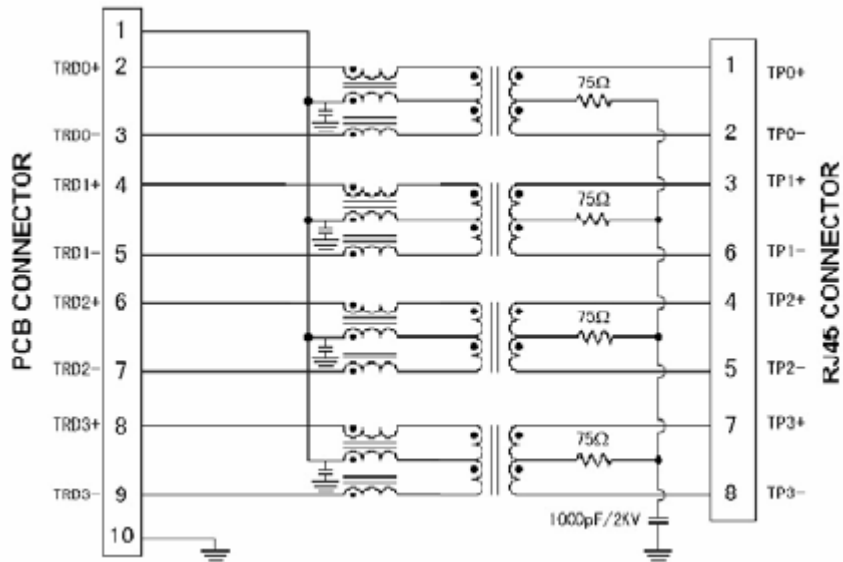
RJ45 10/100/1000 BASE-TX JACK/Dual USB Combo

SCHEMATICS

RJ3245F-10207



RoHS Compliant



RJ3245F-10209

