

RJ3246F SERIES ~

THROUGH HOLE TAB-UP RJ-45 JACK WITH 10/100/1000 MAGNETIC



RoHS Compliant

FEATURES

- 1X1 Tab-UP, 0.85" & 1" long with internal magnetics for 10/100/1000 Base-TX
- 350uH minimum OCL with 8mA bias current
- Internal magnetics options available
- Minimum 1500Vrms isolation

ELECTRICAL SPECIFICATIONS

P/N	Insertion Loss (dB Typ.)	Return Loss 100Ω (dB Typ.) MHz				Common Mode Rejection (dB Typ.) MHz			Cross Talk (dB Typ.) MHz			Hipot Vrms Typ.
		0.3-100MHz	1~30	40	50	60-100	30	60	100	30	60	
	RJ3246F-1301GDD5-LF	-1.2	-16	-13.5	-11.5	-10	-35	-32	-30	-40	-36	-30
RJ3246F-1302GYD5-LF	-1.2	-16	-13.5	-11.5	-10	-35	-32	-30	-40	-36	-30	1500
RJ3246F-1301GYD5-LF	-1.2	-16	-13.5	-11.5	-10	-35	-32	-30	-40	-36	-30	1500
RJ3246F-1303GYD5-LF	-1.2	-16	-13.5	-11.5	-10	-35	-32	-30	-40	-36	-30	1500
RJ3246F-1201YGD2-LF	-1.2	-14	-14	-14	-10	-35	-32	-30	-40	-36	-30	1500
RJ3246F-1202YGD2-LF	-1.2	-14	-14	-14	-10	-35	-32	-30	-40	-36	-30	1500
RJ3246F-1203GGD2-LF	-1.2	-14	-14	-14	-10	-35	-32	-30	-40	-36	-30	1500

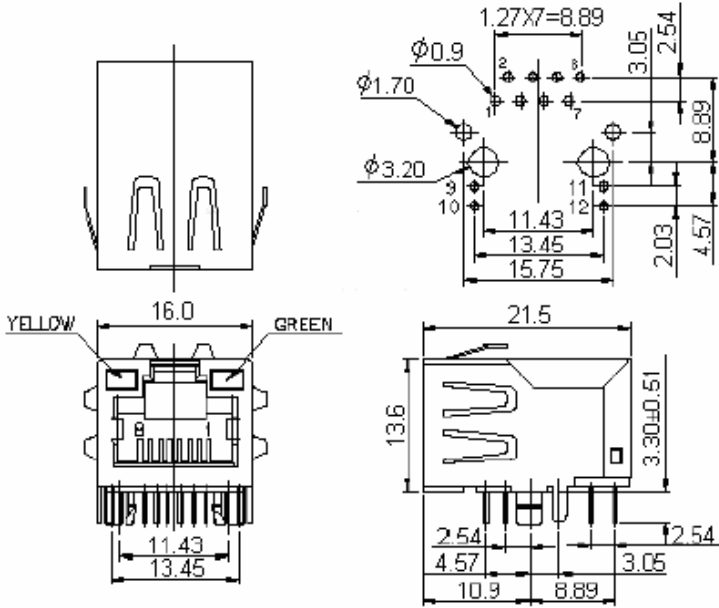
RJ3246F SERIES ~

**THROUGH HOLE TAB-UP RJ-45 JACK WITH
10/100/1000 MAGNETIC**

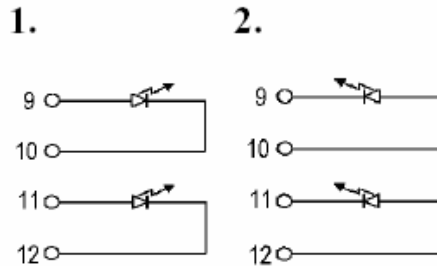


RoHS Compliant

**DIMENSIONS
RJ3246F-12XX**



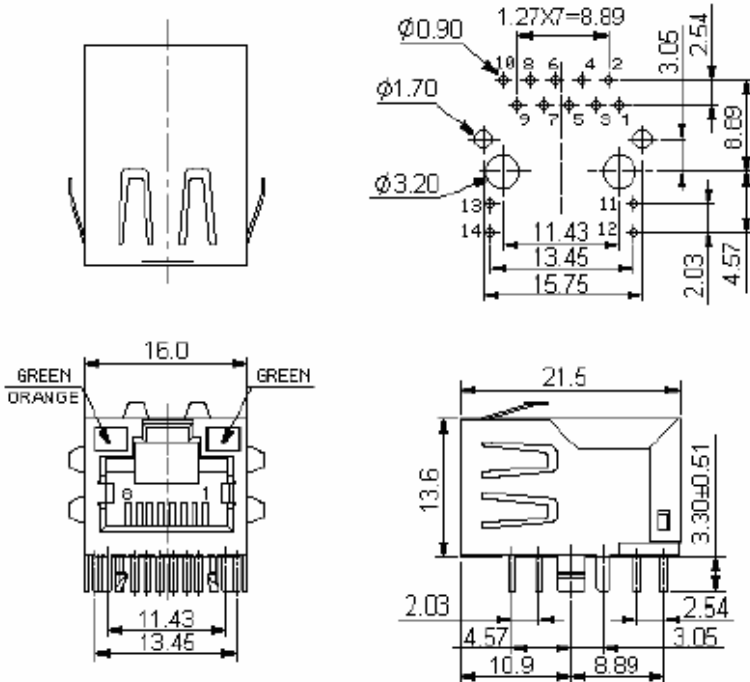
LED Configuration:



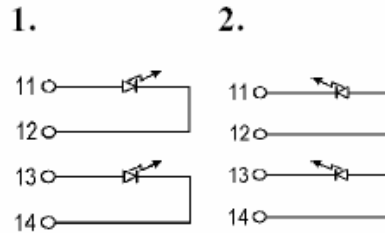
Standard LED	Wavelength	Forward V (Max)
Yellow	585 nm	2.5V
Green	565 nm	2.5V

※With a forward current of 20mA

RJ3246F-13XX



LED Configuration:



Standard LED	Wavelength	Forward V (Max)
Yellow	585 nm	2.5V
Green	565 nm	2.5V

※With a forward current of 20mA

※Unit : m/m , all tolerances are ±0.25

RJ3246F SERIES ~

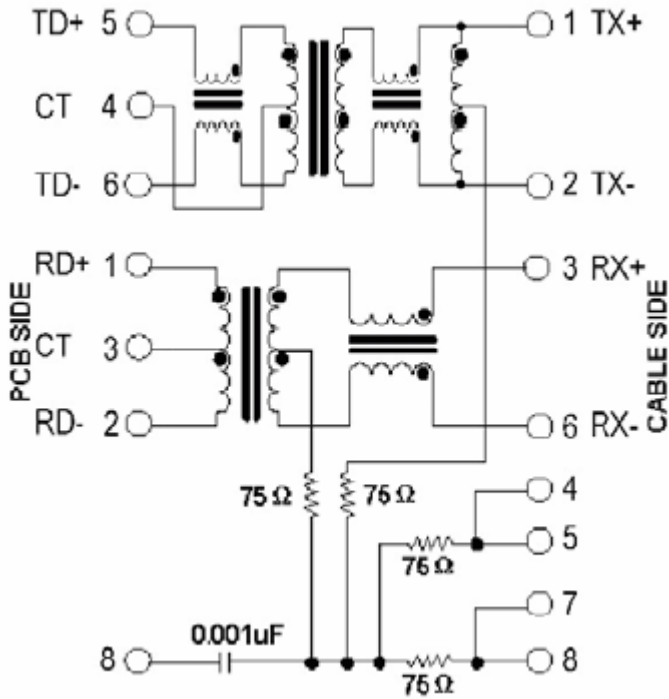
**THROUGH HOLE TAB-UP RJ-45 JACK WITH
10/100/1000 MAGNETIC**



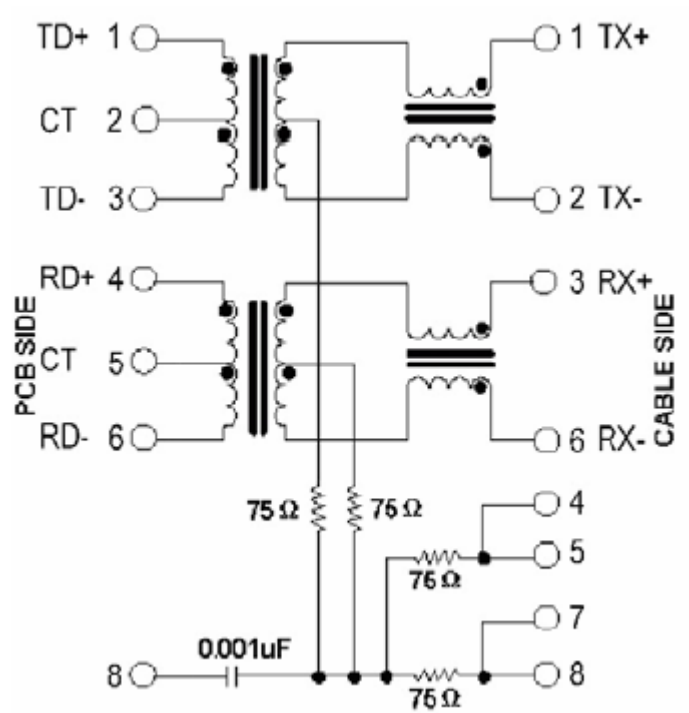
RoHS Compliant

SCHEMATICS

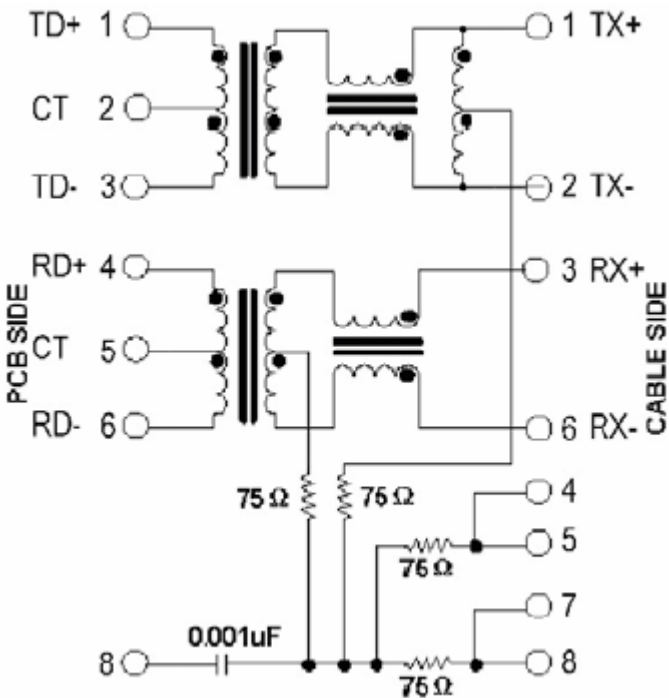
RJ3246F-1201



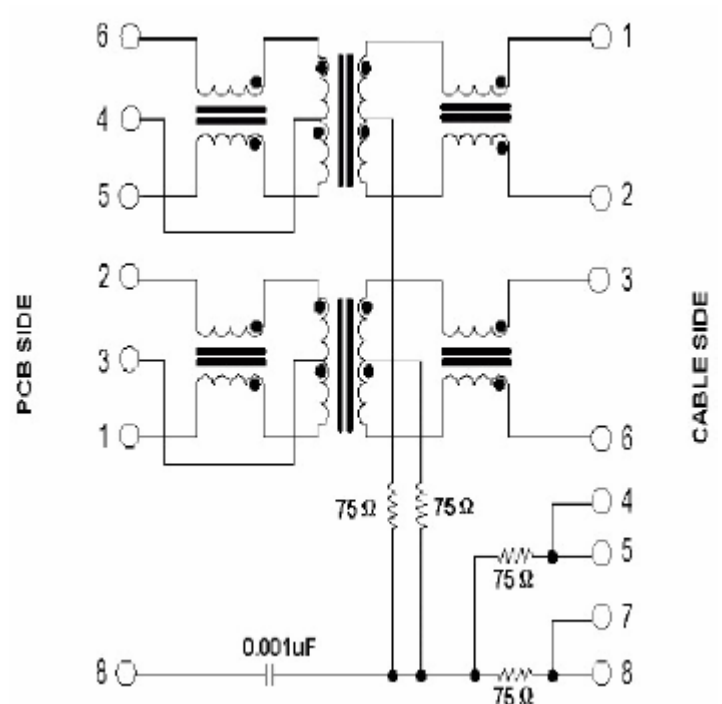
RJ3246F-1202



RJ3246F-1202A



RJ3246F-1203



RJ3246F SERIES ~

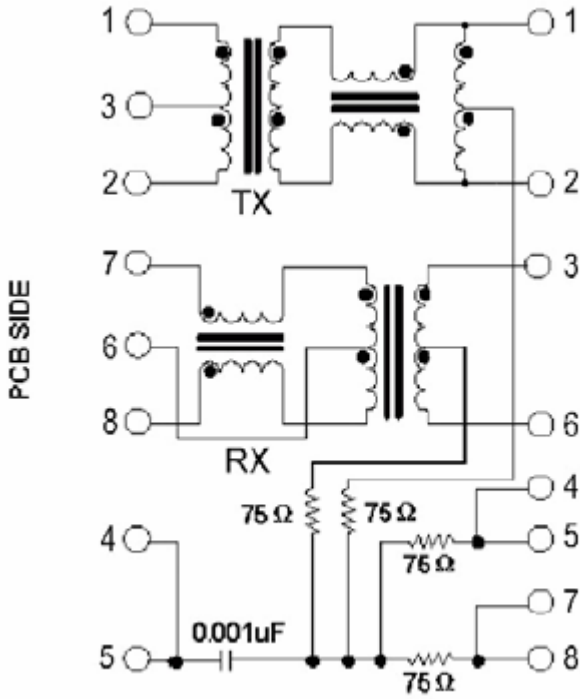
**THROUGH HOLE TAB-UP RJ-45 JACK WITH
 10/100/1000 MAGNETIC**



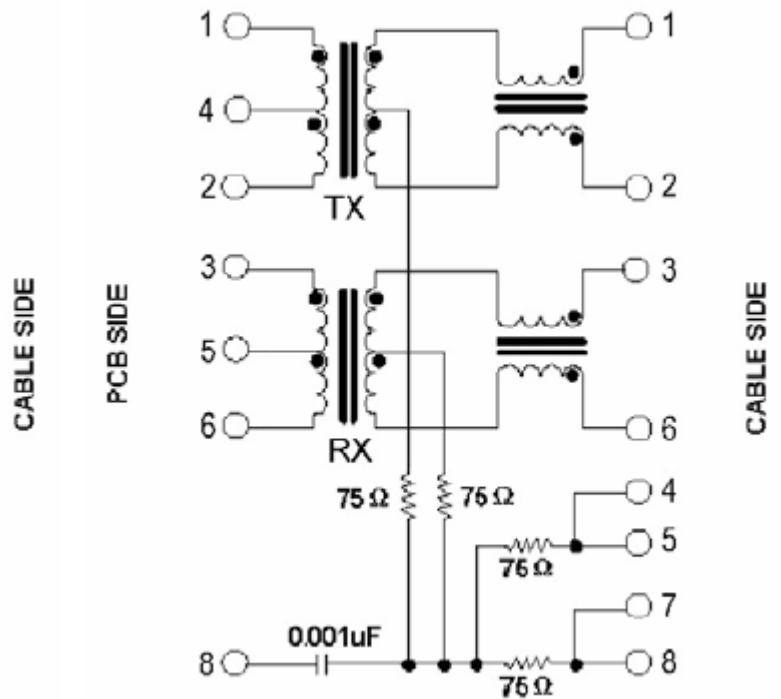
RoHS Compliant

SCHEMATICS

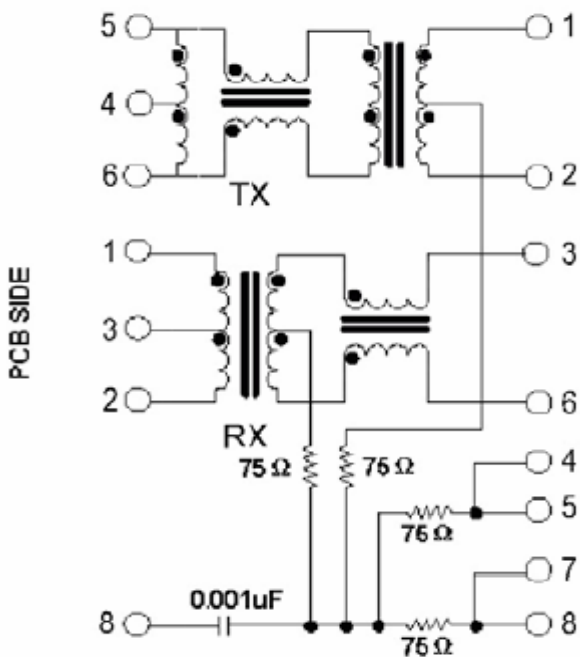
RJ3246F-1206



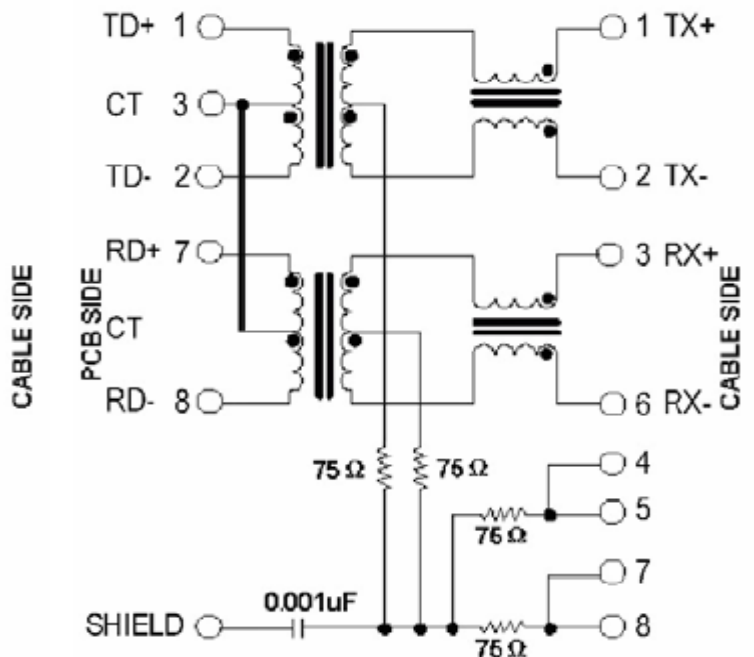
RJ3246F-1207



RJ3246F-1208



RJ3246F-1209



RJ3246F SERIES ~

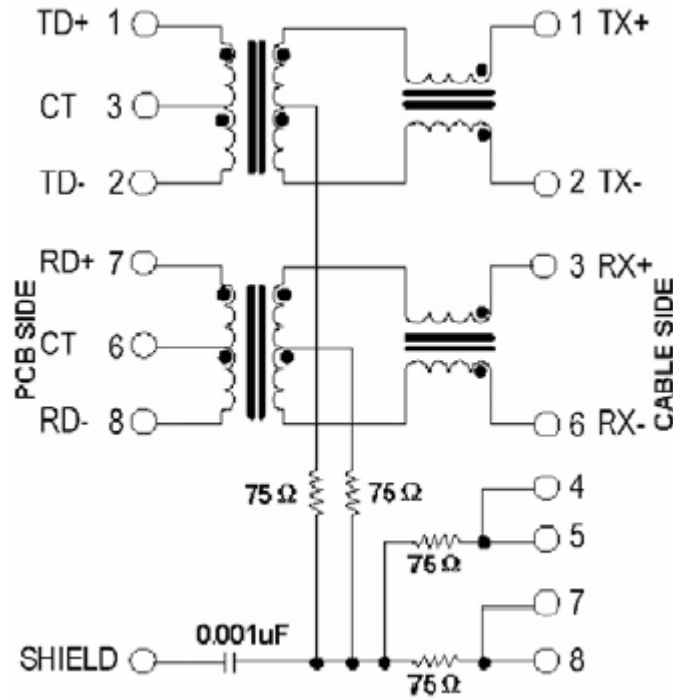
**THROUGH HOLE TAB-UP RJ-45 JACK WITH
10/100/1000 MAGNETIC**



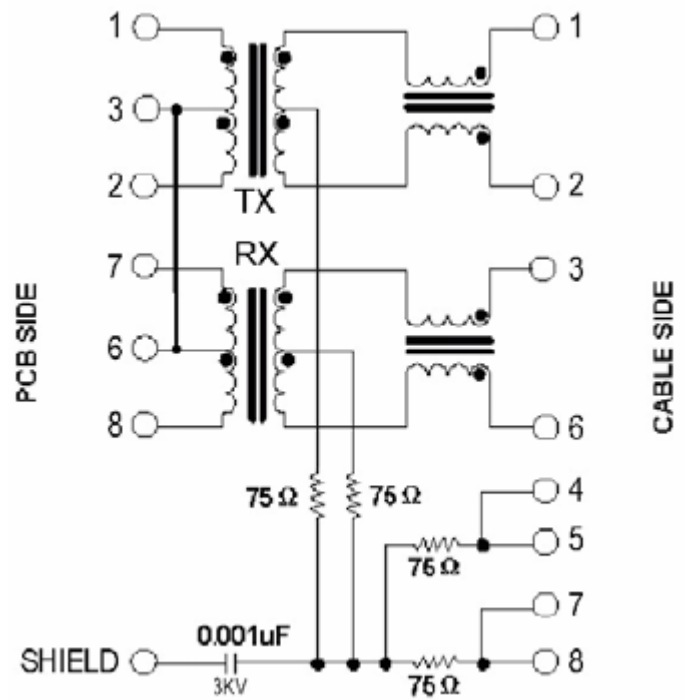
RoHS Compliant

SCHEMATICS

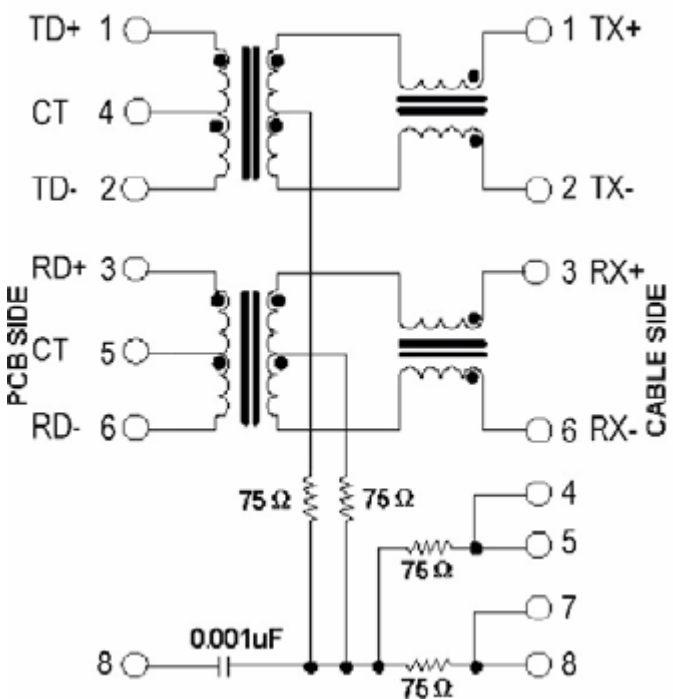
RJ3246F-1210



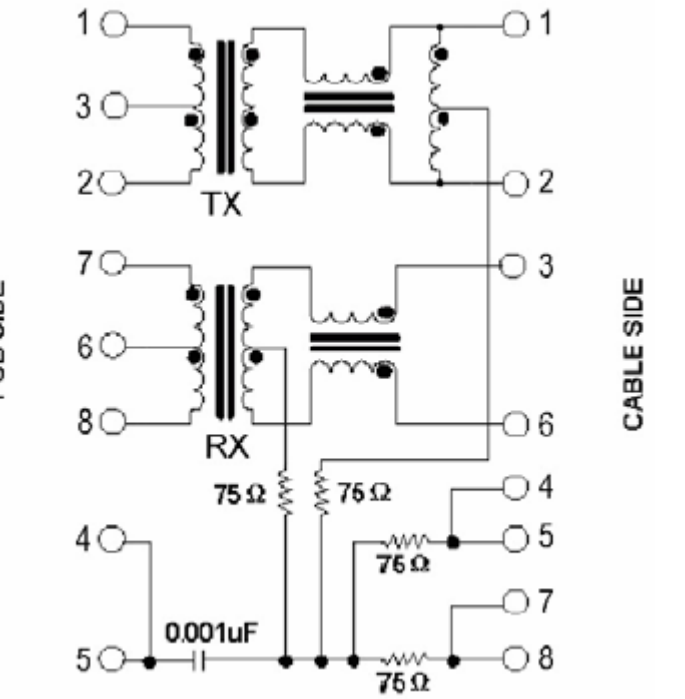
RJ3246F-1201A



RJ3246F-1211



RJ3246F-1215



RJ3246F SERIES ~

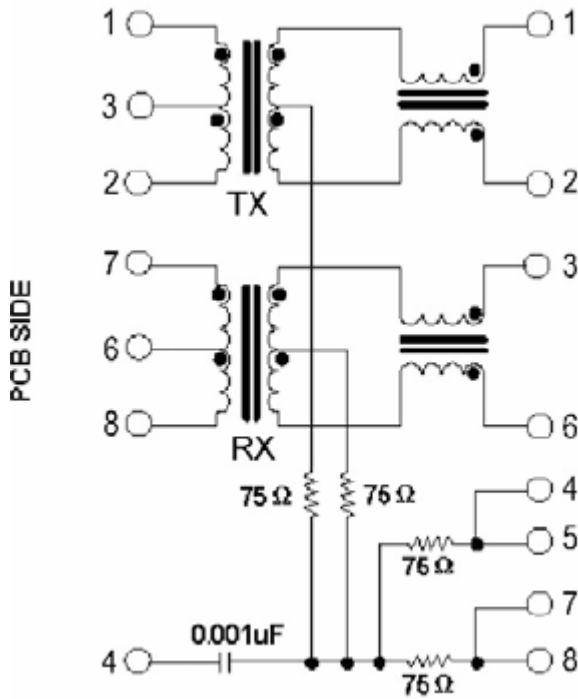
**THROUGH HOLE TAB-UP RJ-45 JACK WITH
10/100/1000 MAGNETIC**



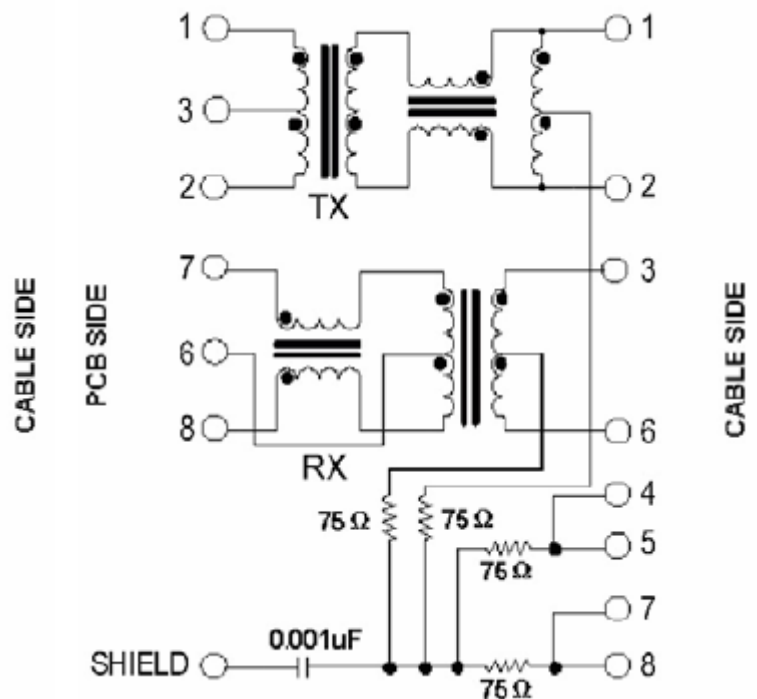
RoHS Compliant

SCHEMATICS

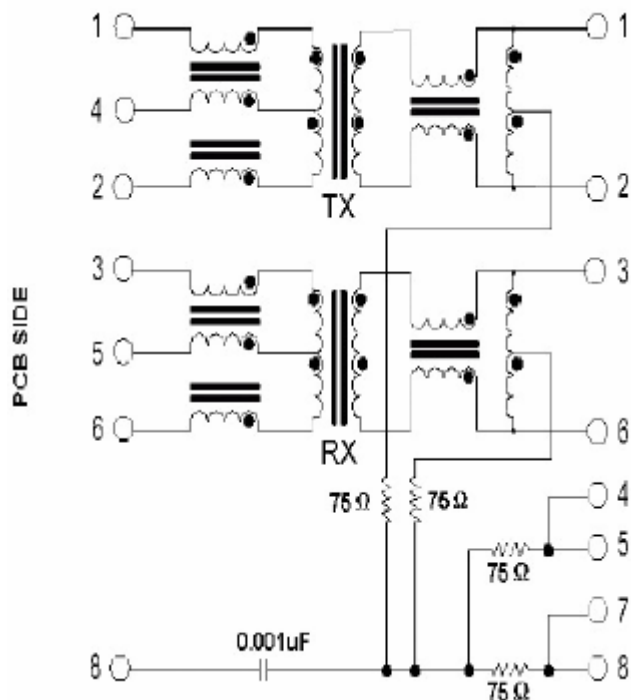
RJ3246F-1215B



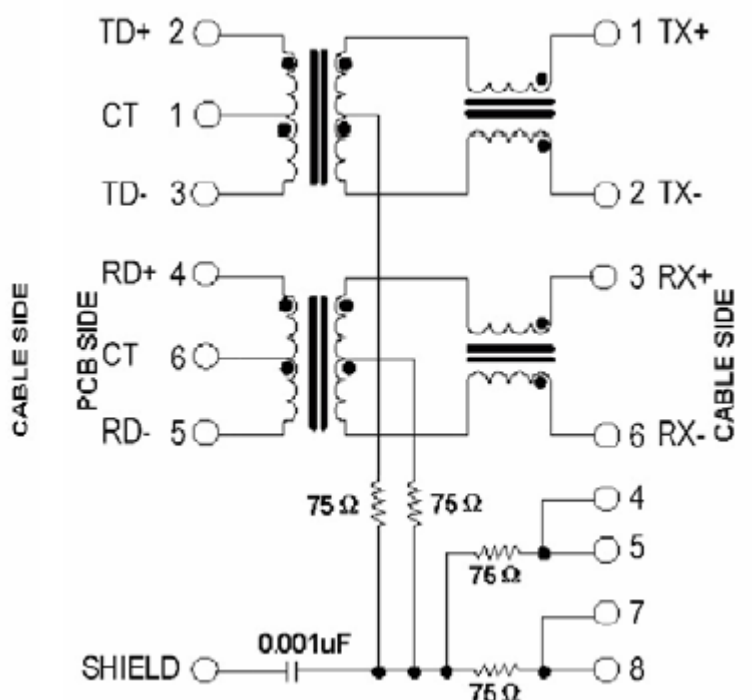
RJ3246F-1216



RJ3246F-1217



RJ3246F-1218



RJ3246F SERIES ~

**THROUGH HOLE TAB-UP RJ-45 JACK WITH
10/100/1000 MAGNETIC**

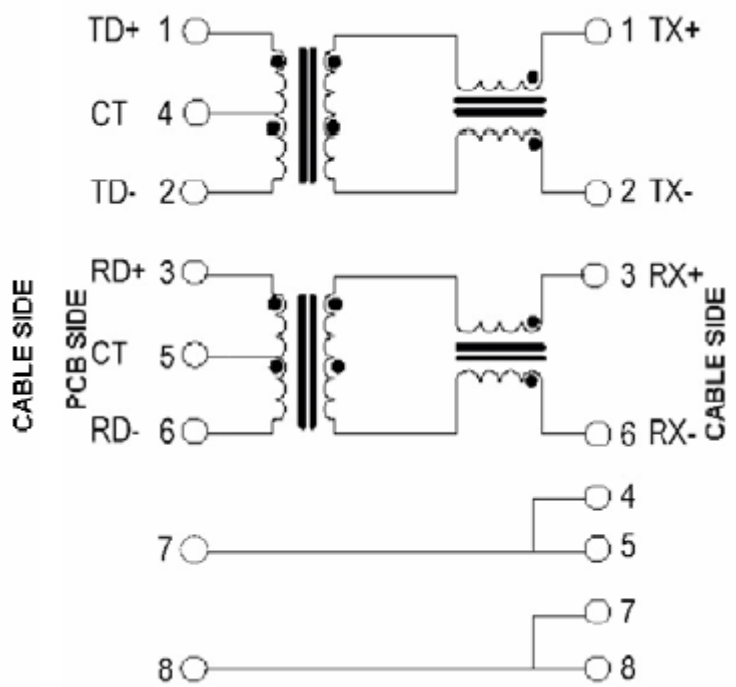
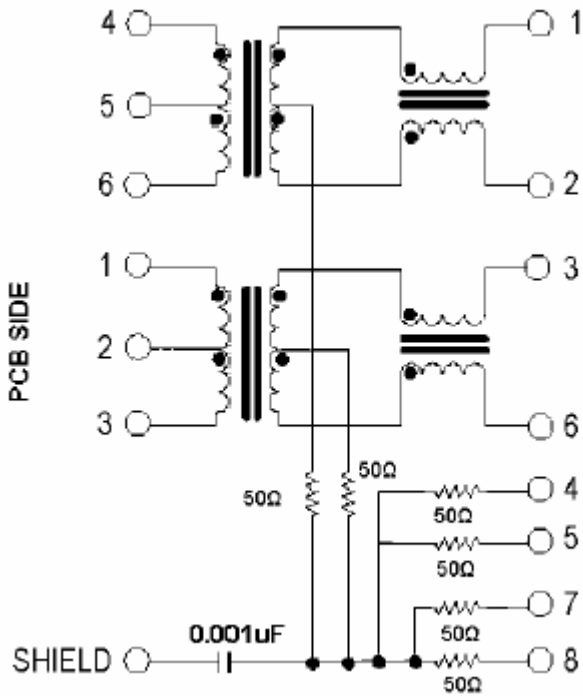


RoHS Compliant

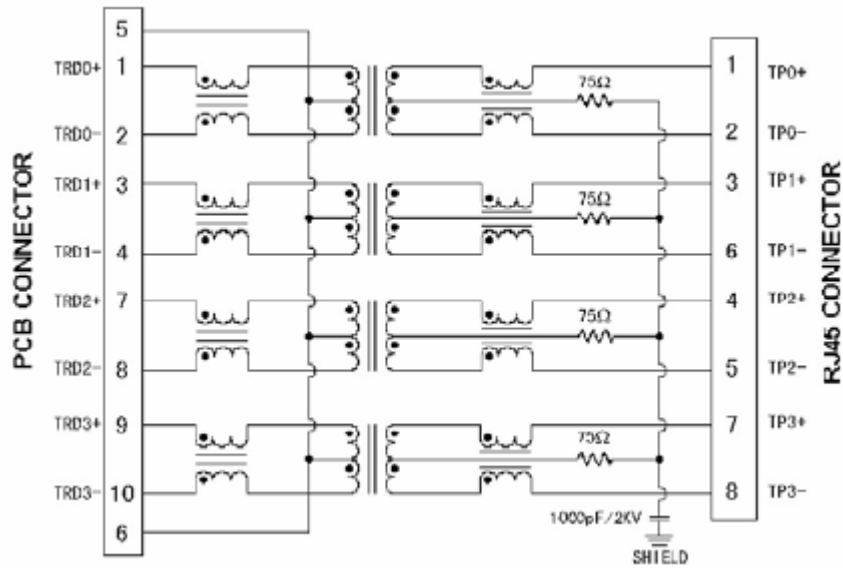
SCHEMATICS

RJ3246F-1219

RJ3246F-1220



RJ3246F-1301



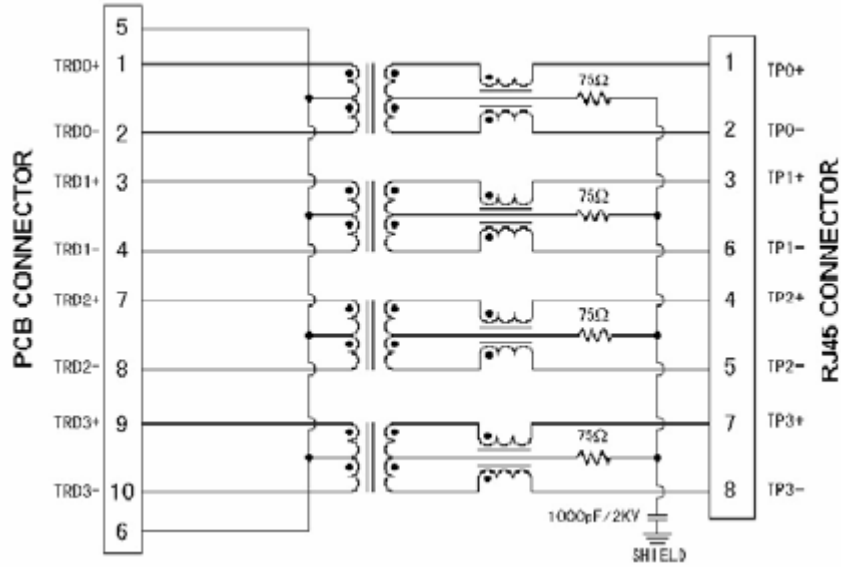
RJ3246F SERIES ~

**THROUGH HOLE TAB-UP RJ-45 JACK WITH
10/100/1000 MAGNETIC**

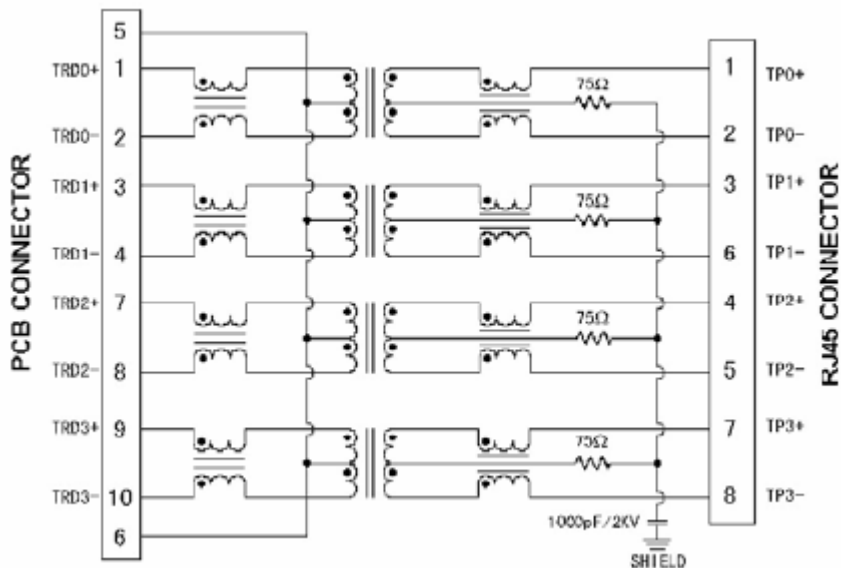
SCHEMATICS
RJ3246F-1302



RoHS Compliant



RJ3246F-1303



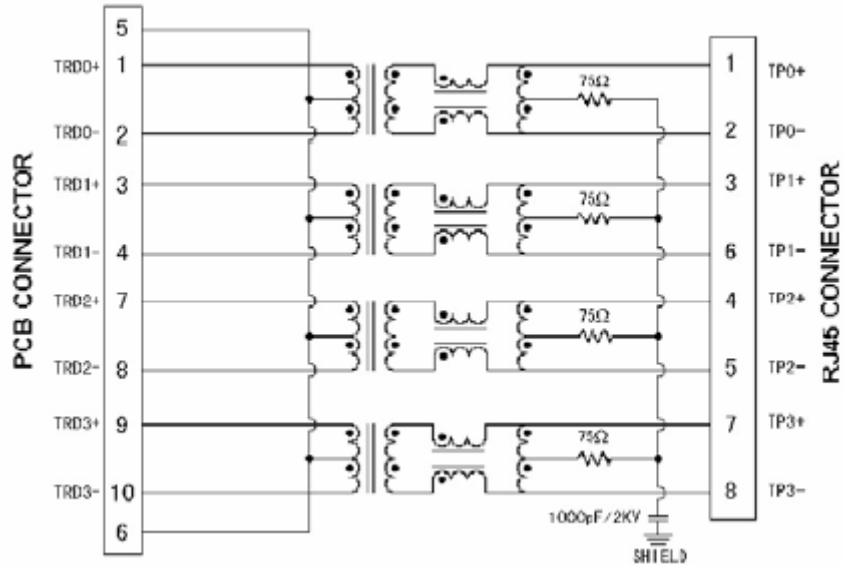
RJ3246F SERIES ~

**THROUGH HOLE TAB-UP RJ-45 JACK WITH
10/100/1000 MAGNETIC**

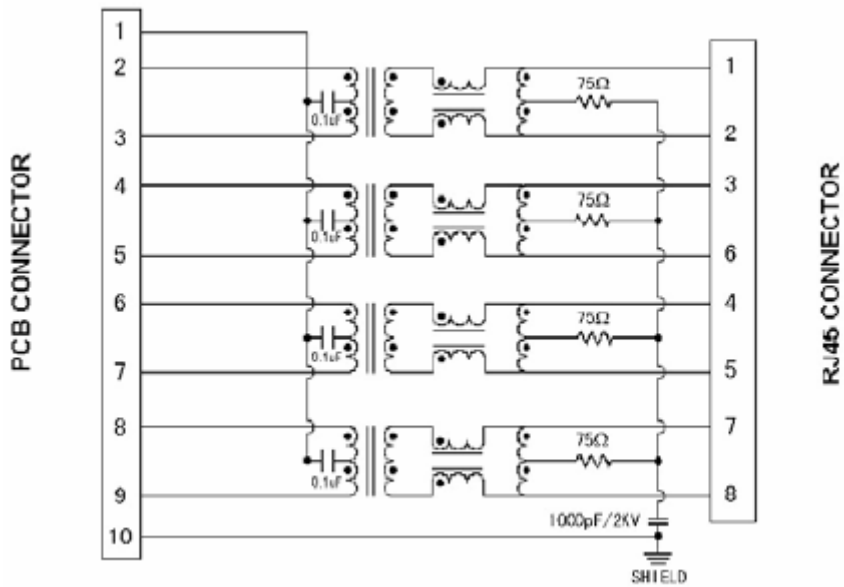
SCHEMATICS
RJ3246F-1304



RoHS Compliant



RJ3246F-1305



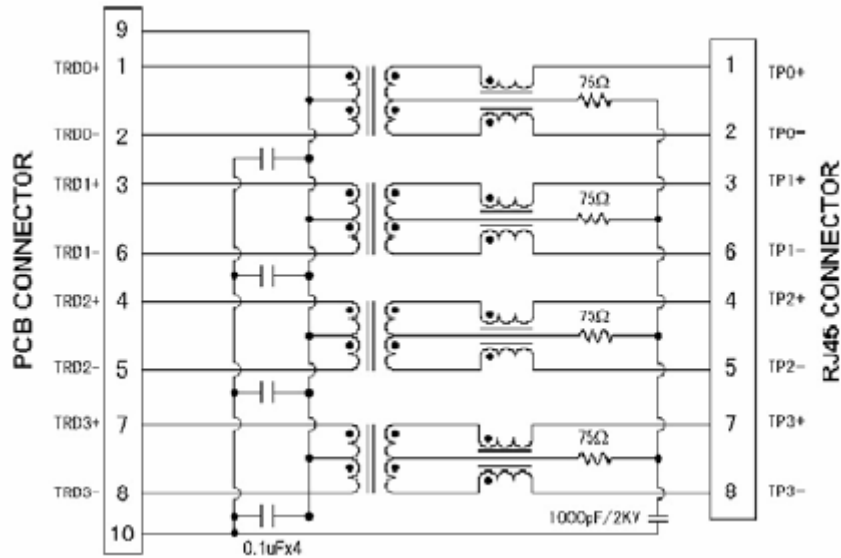
RJ3246F SERIES ~

**THROUGH HOLE TAB-UP RJ-45 JACK WITH
10/100/1000 MAGNETIC**

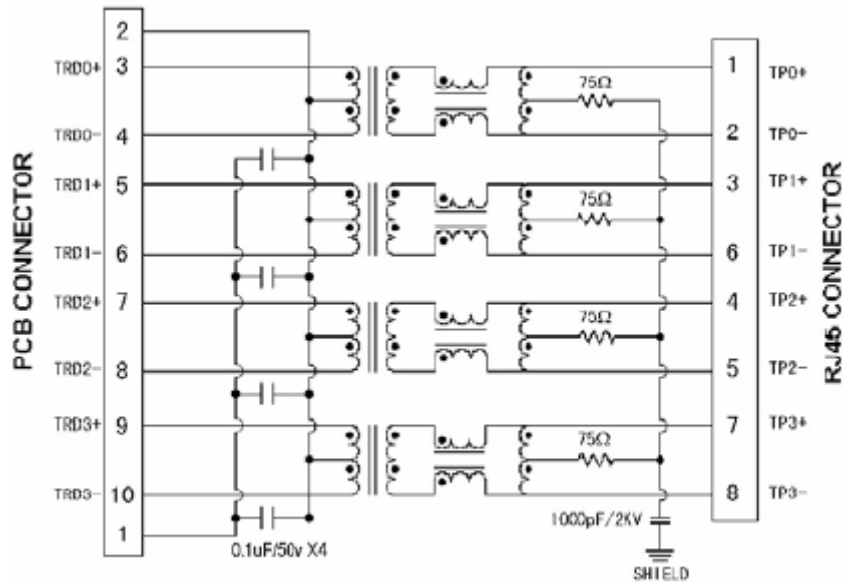
SCHEMATICS
RJ3246F-1306



RoHS Compliant



RJ3246F-1308



RJ3246F SERIES ~

**THROUGH HOLE TAB-UP RJ-45 JACK WITH
 10/100/1000 MAGNETIC**

SCHEMATICS

RJ3246F-1309

RJ3246F-1310



RoHS Compliant

