

RJ3247F SERIES ~

RJ45 10/100 BASE-T JACK WITH MAGNETIC MODULE



RoHS Compliant

FEATURES

- 1X1 Tab-UP, 1" long RJ45 with internal magnetics
- 350uH minimum OCL with 8mA bias current
- 8 or 6-pin signal pin versions available
- Available with and without LEDs
- Suitable for CAT 5 & 6 Fast Ethernet Cable or better UTP
- Internal magnetics are 100% electrically tested for HI-POT and functionality

ELECTRICAL SPECIFICATIONS

P/N	Turns Ratio		LEDs	Insertion Loss (dB Typ.)	Return Loss 100Ω±15Ω (dB Typ.) MHz				Common Mode Rejection (dB Typ.) MHz		Cross Talk (dB Typ.) MHz			Hipot Vrms @60Hz 1MIN
	TX	RX	L/R		1~10	10~30	30~60	60~80	1-50	50-100	1-30	30-60	60-100	
				1-65MHz										
RJ3247F-1201ND-LF	1CT:1	1CT:1	NONE	-1	-20	-16	-12	-10	-30	-20	-40	-35	-30	1500
RJ3247F-1202YGD5-LF	1CT:1	1CT:1	Y/G	-1	-20	-16	-12	-10	-30	-20	-40	-35	-30	1500
RJ3247F-1203ND2-LF	1CT:1	1CT:1	NONE	-1	-20	-16	-12	-10	-30	-20	-40	-35	-30	1500
RJ3247F-1204GYDNW3-LF	1CT:1	1CT:1	G/Y	-1	-20	-16	-12	-10	-30	-20	-40	-35	-30	1500
RJ3247F-1204ND3-LF	1CT:1	1CT:1	NONE	-1	-20	-16	-12	-10	-30	-20	-40	-35	-30	1500
RJ3247F-1205GYDNW3-LF	1CT:1	1CT:1	G/Y	-1	-20	-16	-12	-10	-30	-20	-40	-35	-30	1500
RJ3247F-1205GYD3-LF	1CT:1	1CT:1	G/Y	-1	-20	-16	-12	-10	-30	-20	-40	-35	-30	1500
RJ3247F-1206YGDNW3-LF	1CT:1	1CT:1	Y/G	-1	-20	-16	-12	-10	-30	-20	-40	-35	-30	1500
RJ3247F-1206YGD3-LF	1CT:1	1CT:1	Y/G	-1	-20	-16	-12	-10	-30	-20	-40	-35	-30	1500
RJ3247F-1206GGD3-LF	1CT:1	1CT:1	G/G	-1	-20	-16	-12	-10	-30	-20	-40	-35	-30	1500
RJ3247F-1207NW3-LF	1CT:1	1CT:1	NONE	-1	-20	-16	-12	-10	-30	-20	-40	-35	-30	1500
RJ3247F-1207GYDNW3-LF	1CT:1	1CT:1	G/Y	-1	-20	-16	-12	-10	-30	-20	-40	-35	-30	1500
RJ3247F-1207YGD3-LF	1CT:1	1CT:1	Y/G	-1	-20	-16	-12	-10	-30	-20	-40	-35	-30	1500
RJ3247F-1211GDD3-LF	1CT:1	1CT:1	G/O_G	-1	-20	-16	-12	-10	-30	-20	-40	-35	-30	1500
RJ3247F-1212GDD3-LF	1CT:1	1CT:1	G/G_O	-1	-20	-16	-12	-10	-30	-20	-40	-35	-30	1500
RJ3247F-1213GDD3-LF	1CT:1	1CT:1	G/G_O	-1	-20	-16	-12	-10	-30	-20	-40	-35	-30	1500

RJ3247F SERIES ~

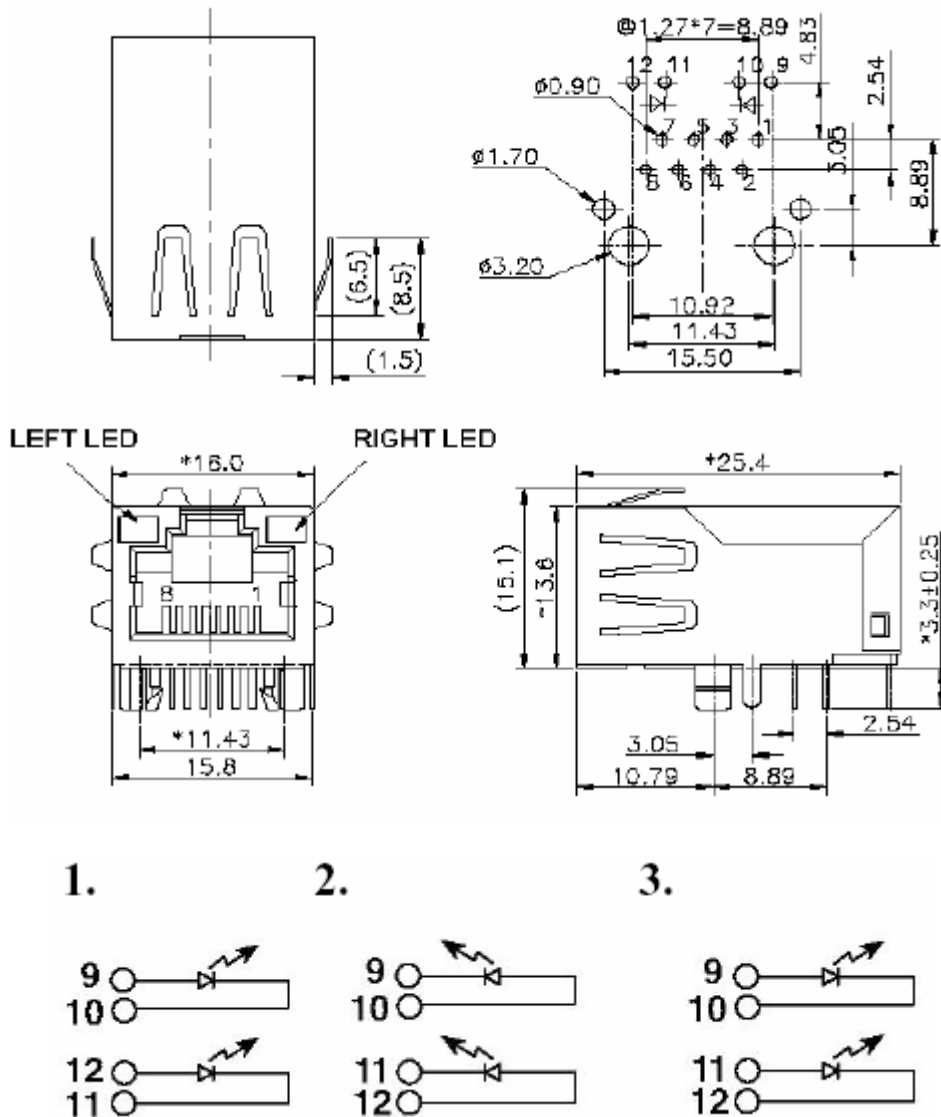
RJ45 10/100 BASE-T JACK WITH MAGNETIC MODULE

DIMENSIONS

RJ3247F-120X



RoHS Compliant



Standard LED	Wavelength	Forward V (Max)
Yellow	585 nm	2.5V
Green	565 nm	2.5V

※With a forward current of 20mA

RJ3247F SERIES ~

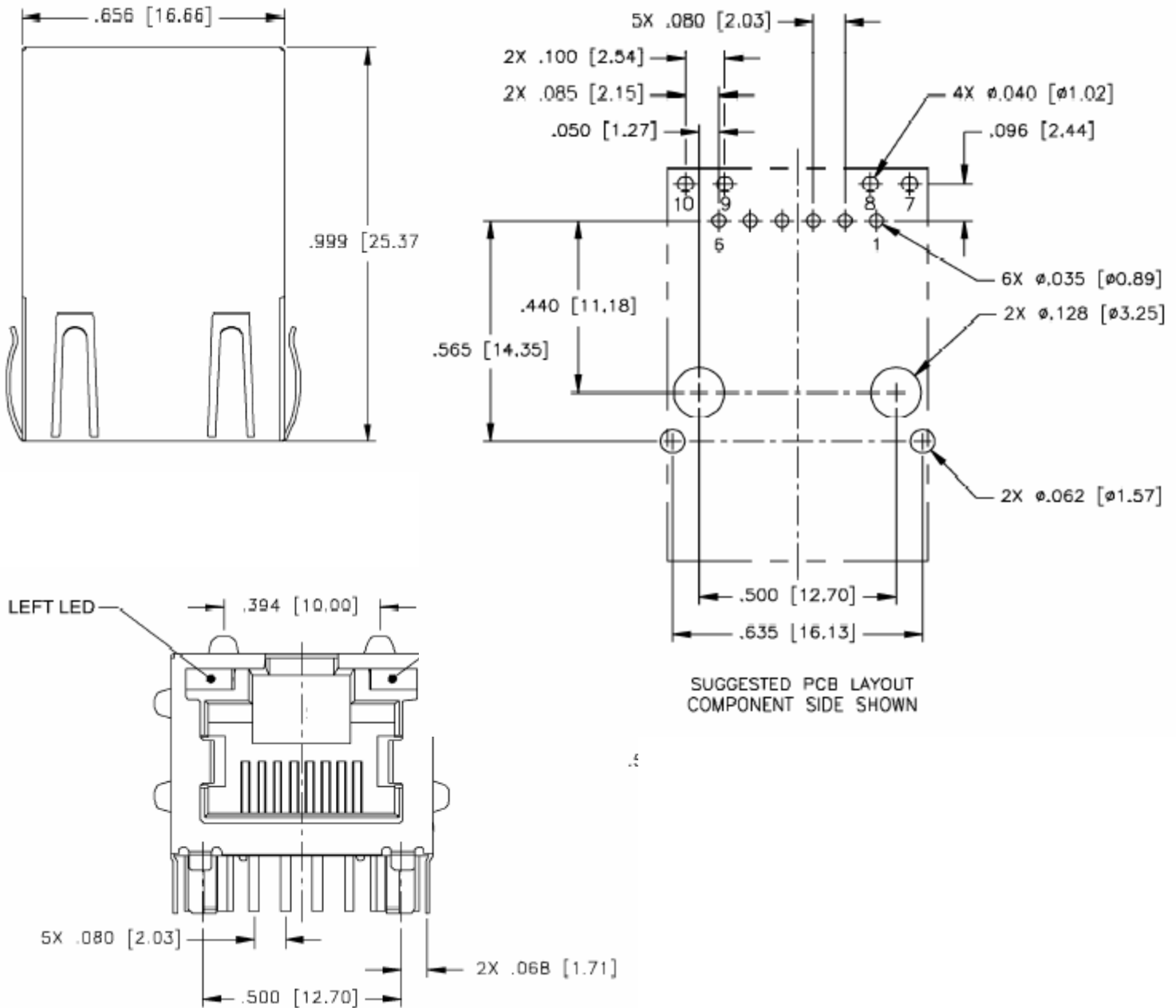
RJ45 10/100 BASE-T JACK WITH MAGNETIC MODULE



RoHS Compliant

DIMENSIONS

RJ3247F-121X



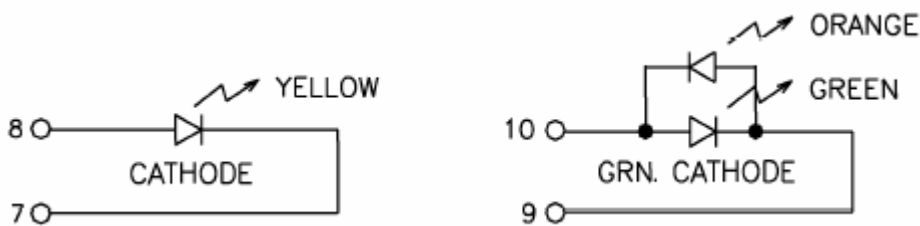
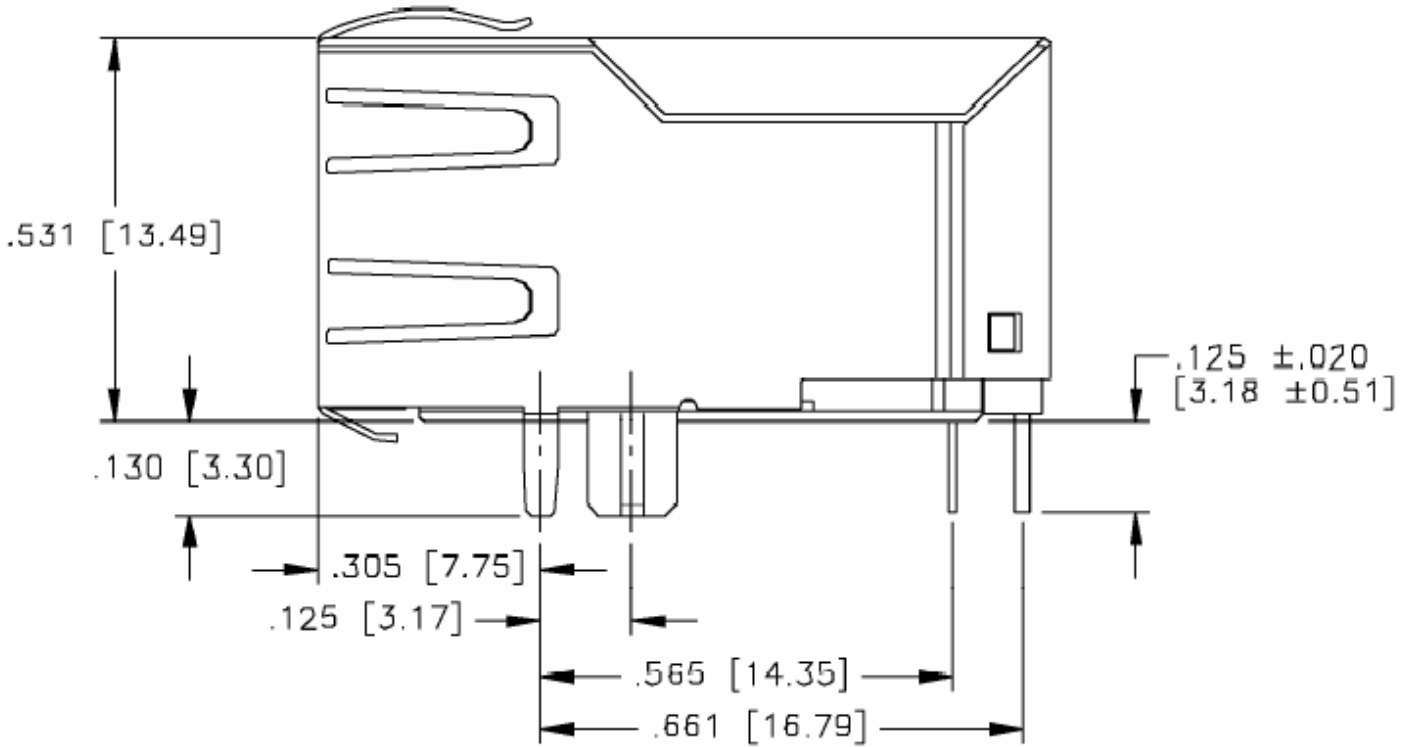
RJ3247F SERIES ~

RJ45 10/100 BASE-T JACK WITH MAGNETIC MODULE



RoHS Compliant

**DIMENSIONS
RJ3247F-121X**



Standard LED	Wavelength	Forward V (Max)
Yellow	585 nm	2.5V
Green	565 nm	2.5V
Orange	610 nm	2.5V

※With a forward current of 20mA

RJ3247F SERIES ~

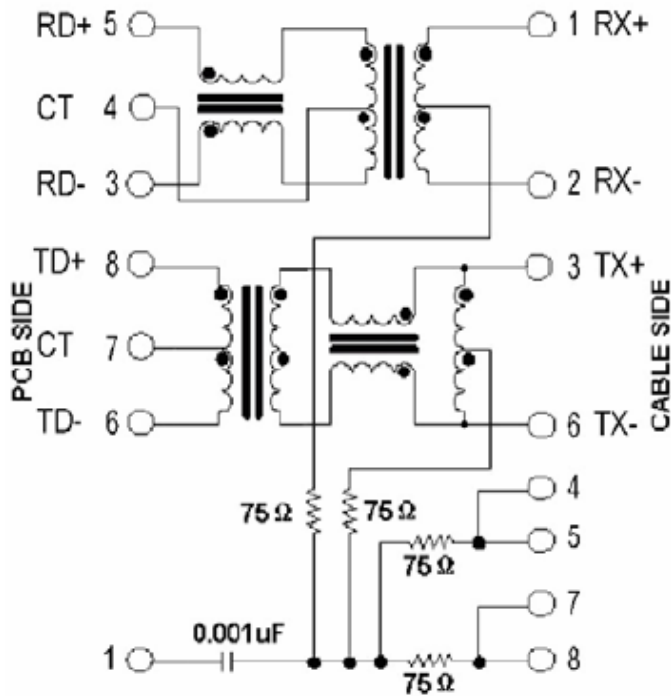
RJ45 10/100 BASE-T JACK WITH MAGNETIC MODULE



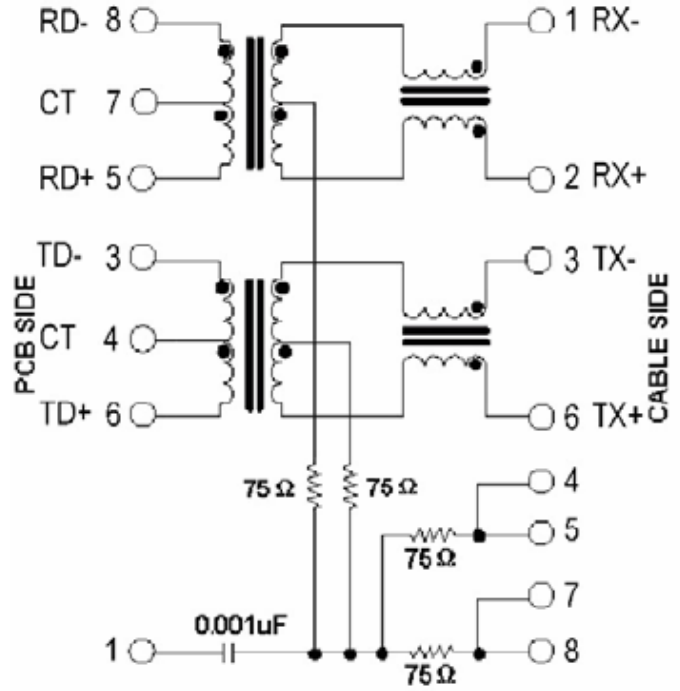
RoHS Compliant

SCHEMATICS

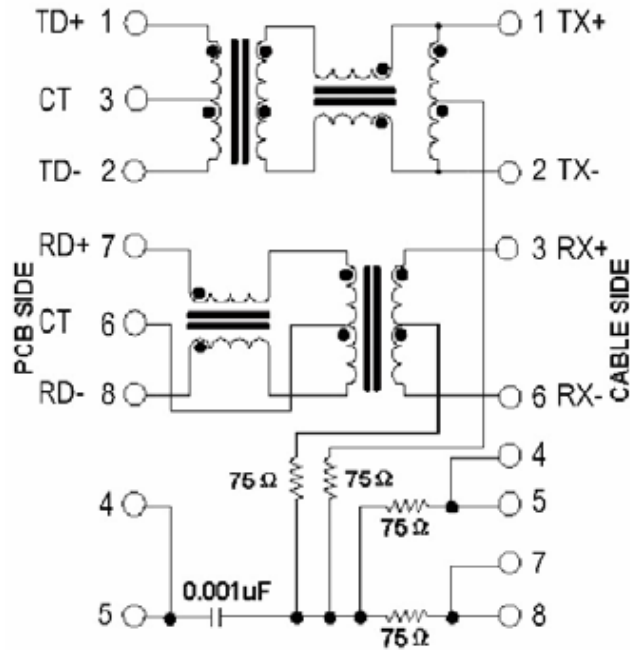
RJ3247F-1201



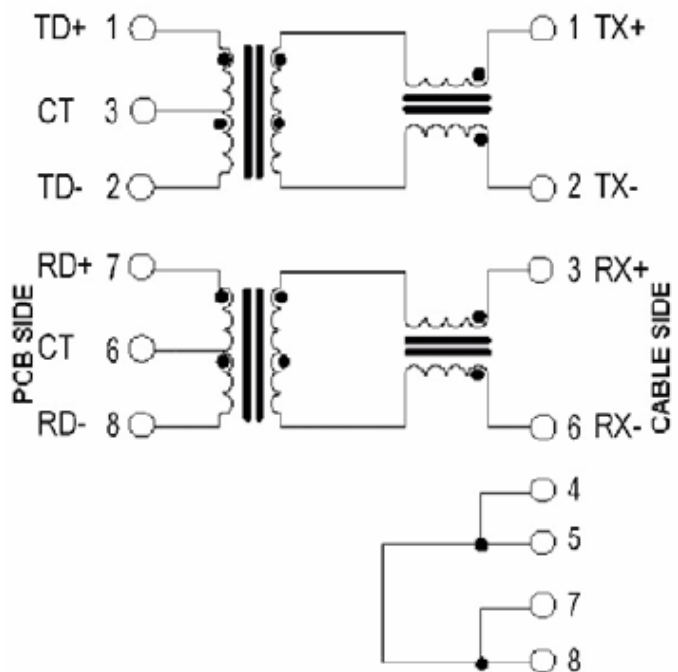
RJ3247F-1202



RJ3247F-1203



RJ3247F-1204



RJ3247F SERIES ~

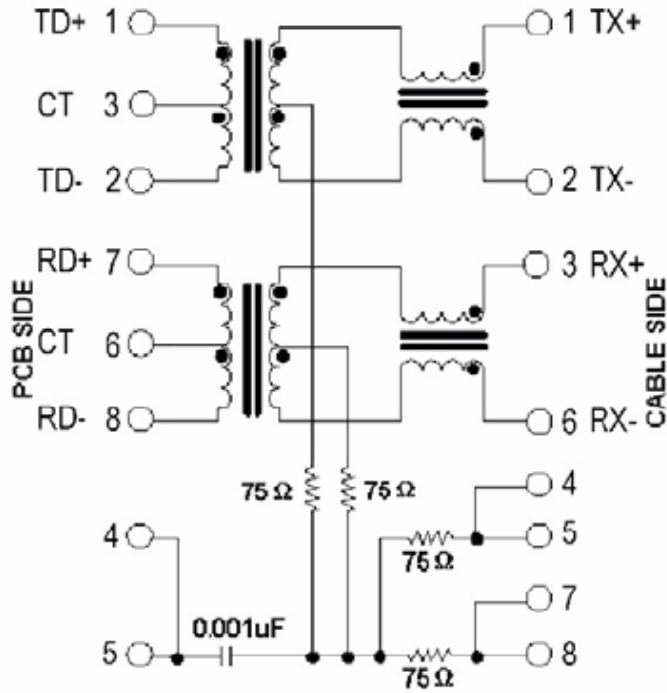
RJ45 10/100 BASE-T JACK WITH MAGNETIC MODULE



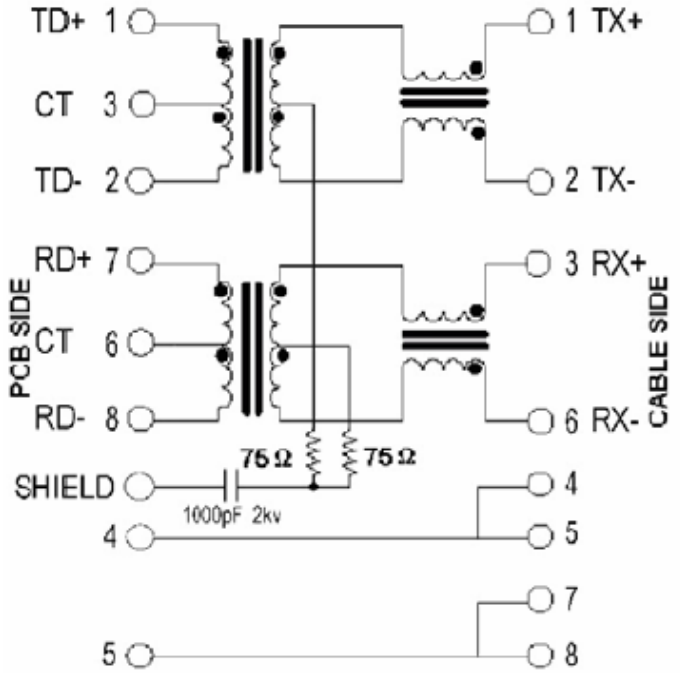
RoHS Compliant

SCHEMATICS

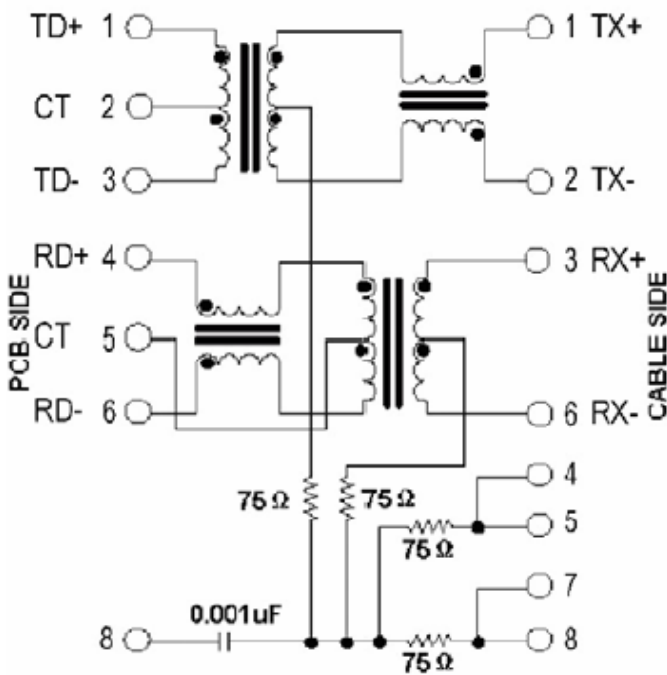
RJ3247F-1205



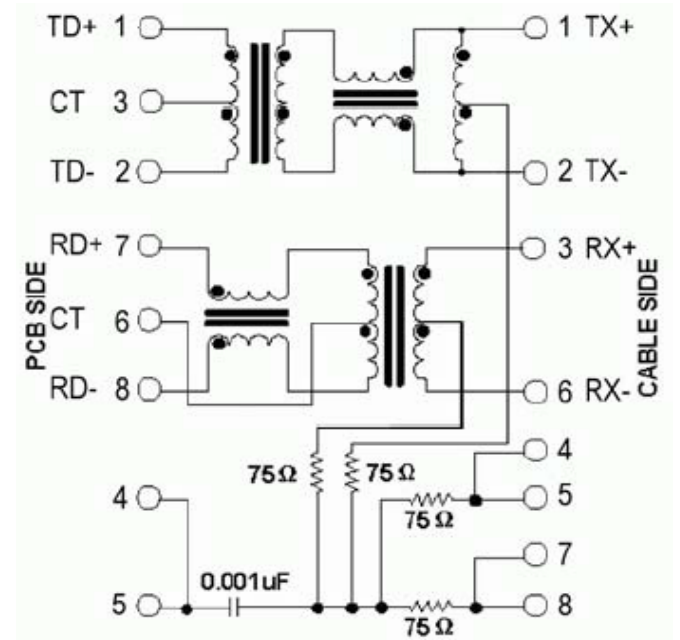
RJ3247F-1205B



RJ3247F-1206



RJ3247F-1207A



RJ3247F SERIES ~

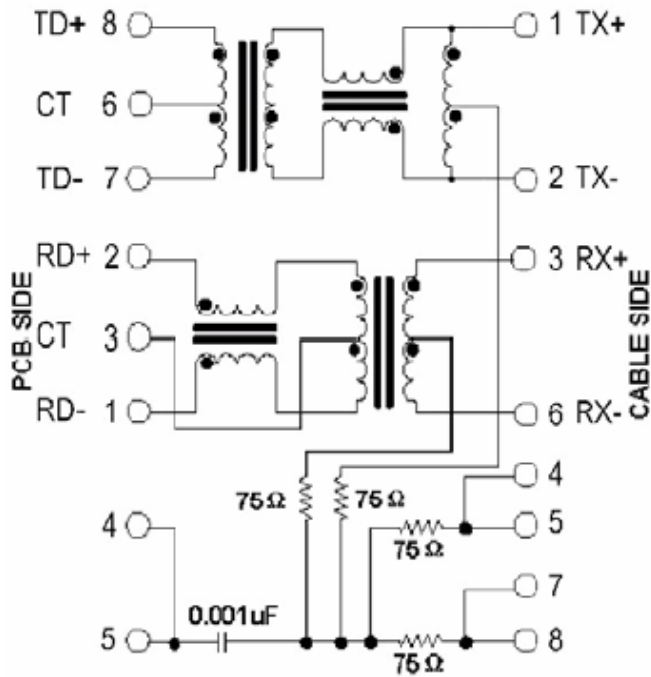
RJ45 10/100 BASE-T JACK WITH MAGNETIC MODULE



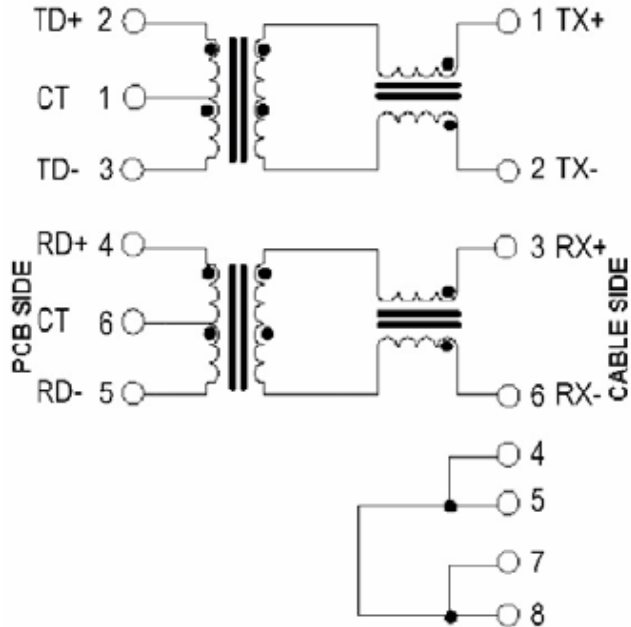
RoHS Compliant

SCHEMATICS

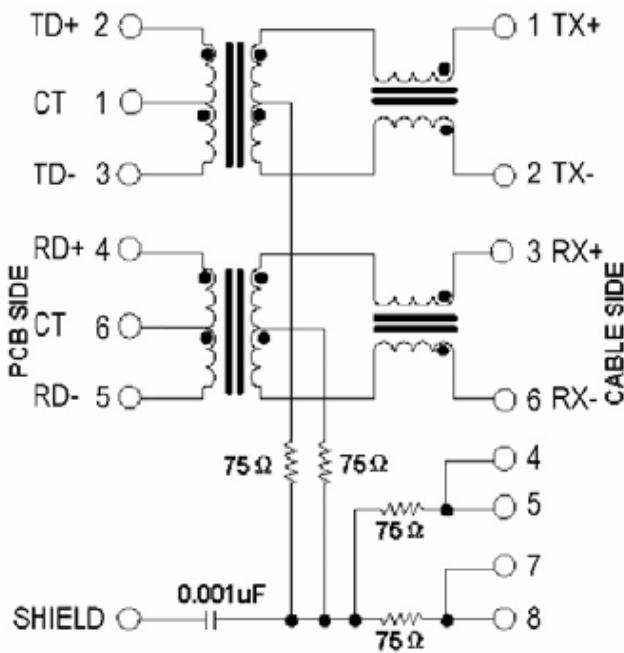
RJ3247F-1207B



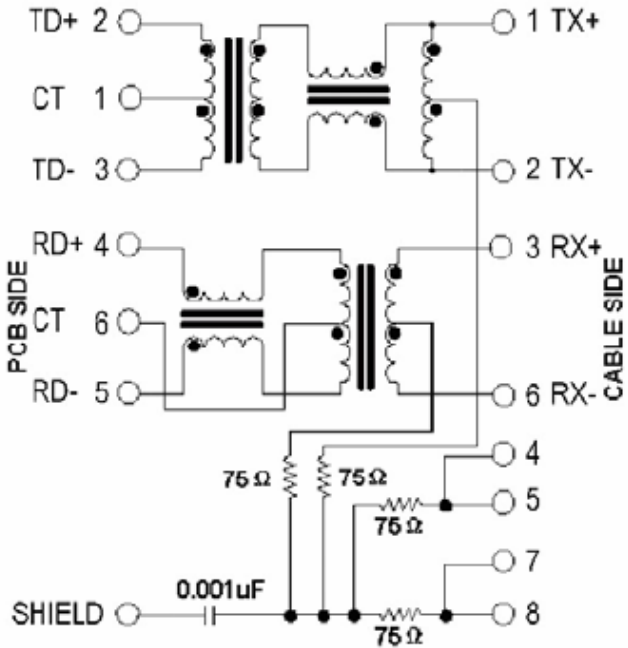
RJ3247F-1211



RJ3247F-1212



RJ3247F-1213



RJ3247F SERIES ~

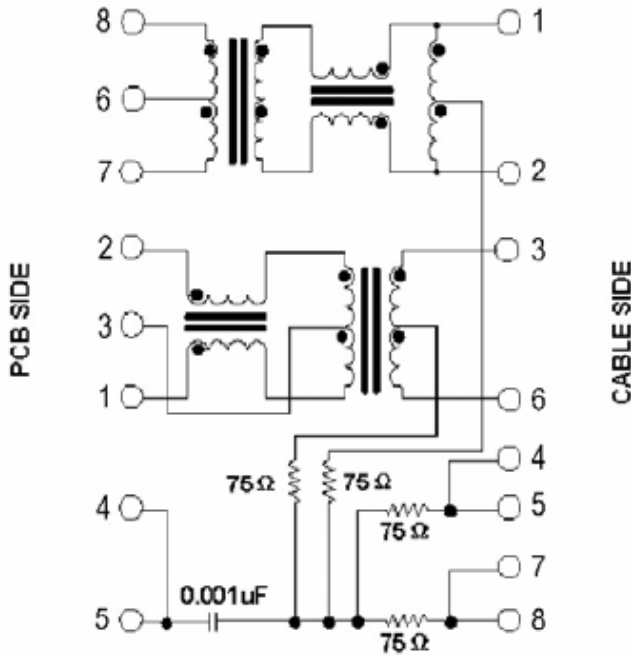
RJ45 10/100 BASE-T JACK WITH MAGNETIC MODULE

SCHEMATICS

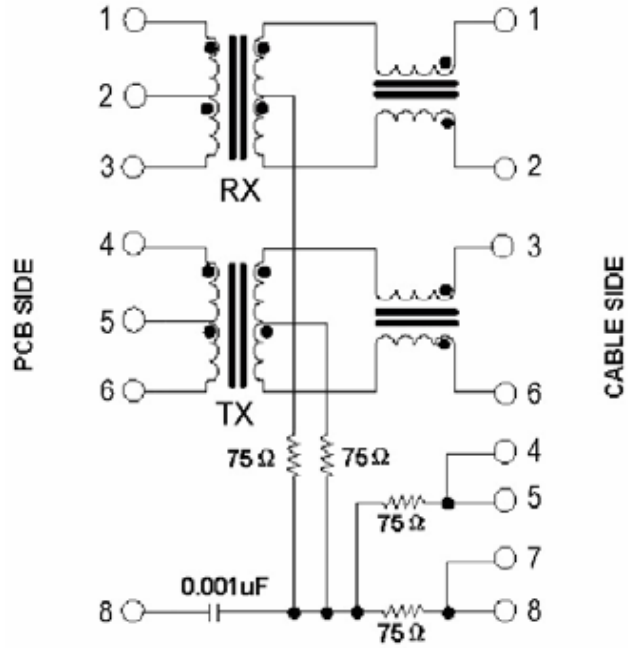


RoHS Compliant

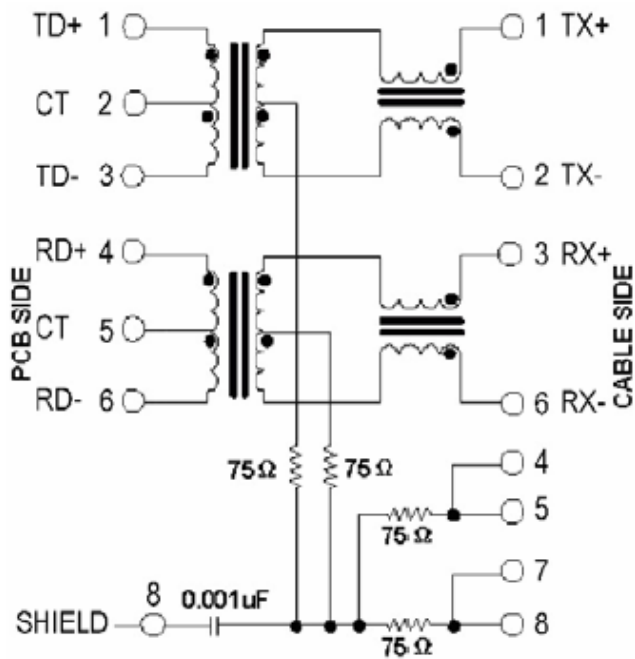
RJ3247F-1214



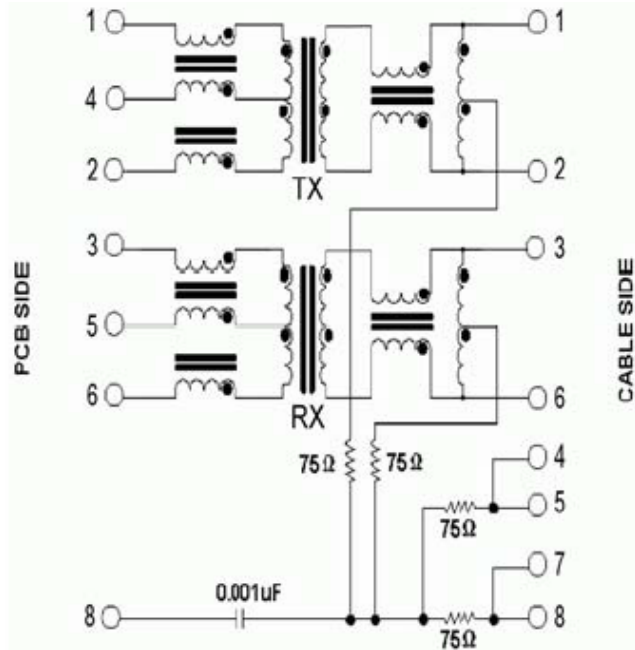
RJ3247F-1215



RJ3247F-1216



RJ3247F-1217



RJ3247F SERIES ~

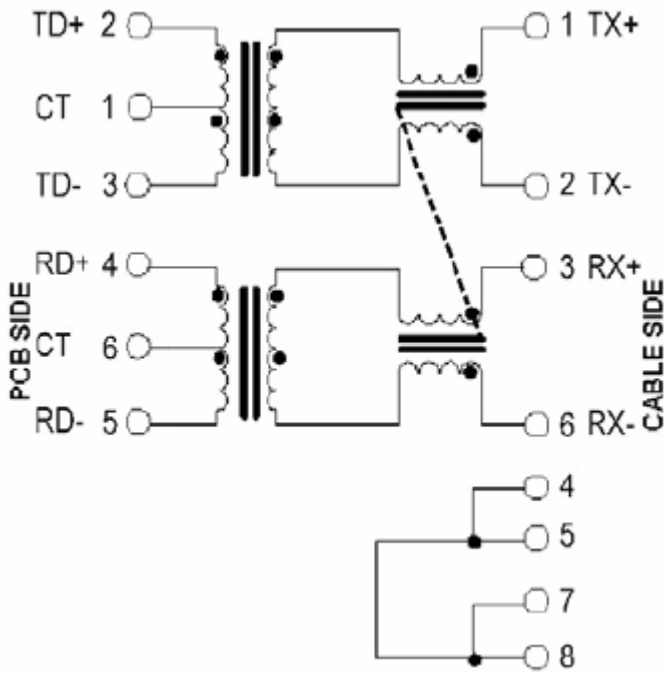
RJ45 10/100 BASE-T JACK WITH MAGNETIC MODULE



RoHS Compliant

SCHEMATICS

RJ3247F-1218



RJ3247F-1218A

