

## RJ3248F SERIES ~

### THROUGH HOLE TAB DOWN RJ-45 JACK WITH Gigabit MAGNETIC



RoHS Compliant

#### FEATURES

- Single port Tab-Down with internal magnetics for 1000 Base-Tx
- 350uH minimum OCL with 8mA bias current
- Internal magnetics options available
- Minimum 1500Vrms isolation

#### ELECTRICAL SPECIFICATIONS

P/N	Insertion Loss (dB Typ.)	Return Loss 100Ω (dB Typ.) MHz				Common Mode Rejection (dB Typ. ) MHz			Cross Talk (dB Typ. ) MHz			Hipot  Vrms  Typ.	
		0.3-100MHz	1~30	40	50	60-80	30	60	100	30	60		100
		RJ3248F-01GYD5-LF	-1.2	-16	-13.5	-11.5	-10	-35	-32	-30	-40		-36
RJ3248F-02GYD5-LF	-1.2	-16	-13.5	-11.5	-10	-35	-32	-30	-40	-36	-30	1500	
RJ3248F-03GYD5-LF	-1.2	-16	-13.5	-11.5	-10	-35	-32	-30	-40	-36	-30	1500	
RJ3248F-04GYD5-LF	-1.2	-16	-13.5	-11.5	-10	-35	-32	-30	-40	-36	-30	1500	
RJ3248F-01ND5-LF	-1.2	-14	-13.5	-11.5	-10	-35	-32	-30	-40	-36	-30	1500	
RJ3248F-02ND5-LF	-1.2	-14	-13.5	-11.5	-10	-35	-32	-30	-40	-36	-30	1500	
RJ3248F-03ND5-LF	-1.2	-14	-13.5	-11.5	-10	-35	-32	-30	-40	-36	-30	1500	
RJ3248F-04ND5-LF	-1.2	-14	-13.5	-11.5	-10	-35	-32	-30	-40	-36	-30	1500	

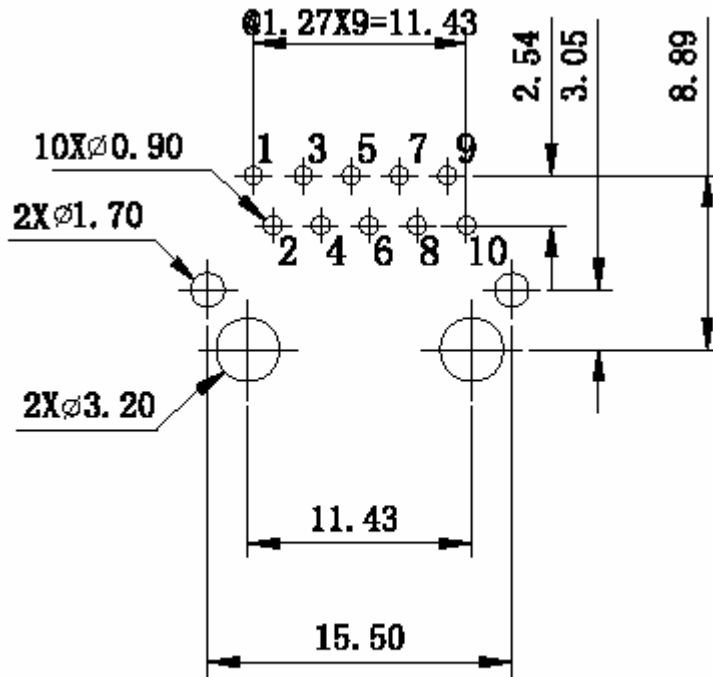
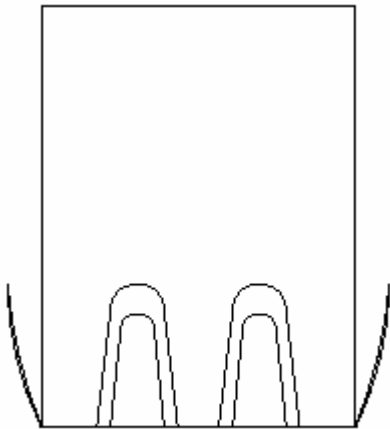
**RJ3248F SERIES ~**

**THROUGH HOLE TAB DOWN RJ-45 JACK WITH  
 Gigabit MAGNETIC**

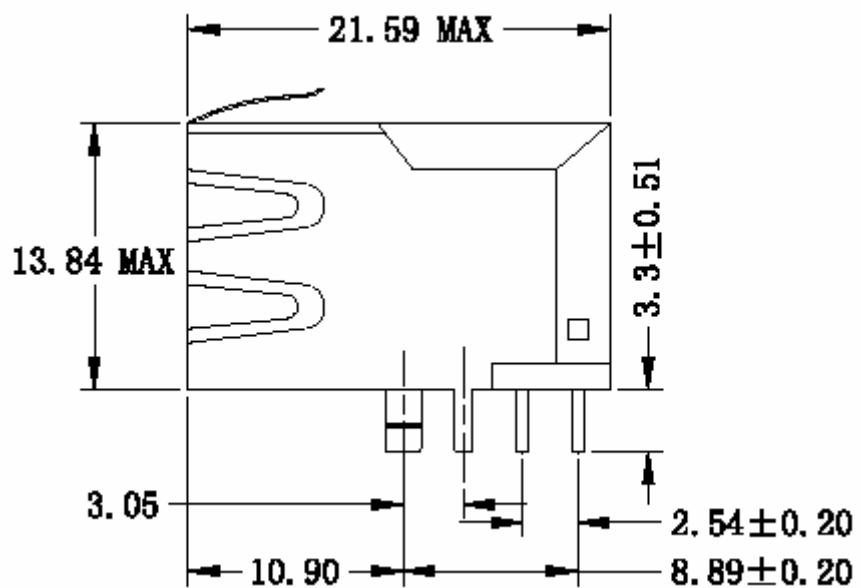
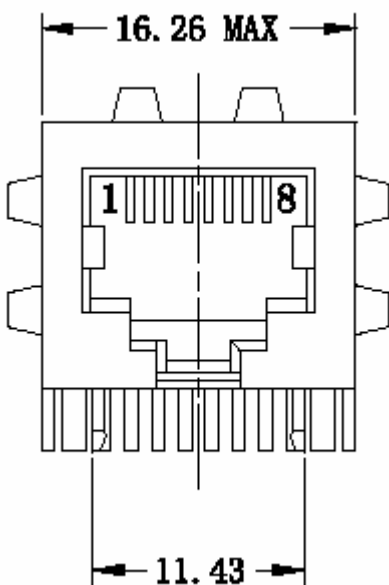


RoHS Compliant

NO LED JACK



PC Board Layout  
 Component Side Shown



※Unit : m/m , all tolerances are ±0.25

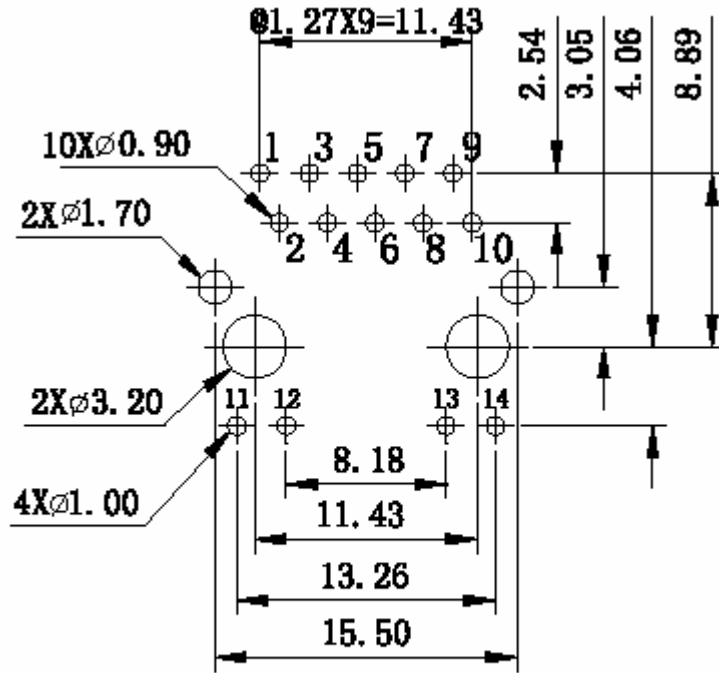
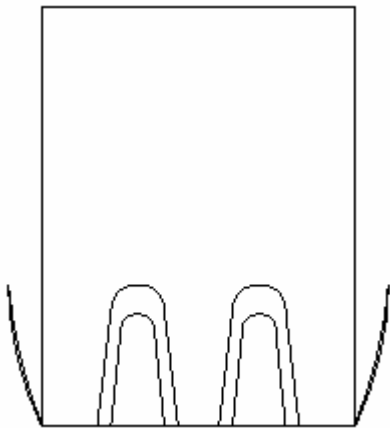
**RJ3248F SERIES ~**

**THROUGH HOLE TAB DOWN RJ-45 JACK WITH  
 GIGABIT MAGNETIC**

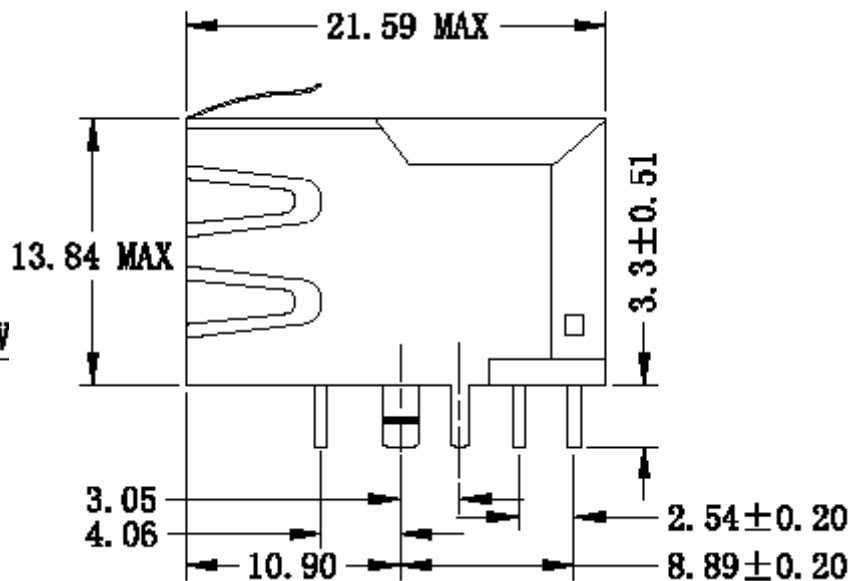
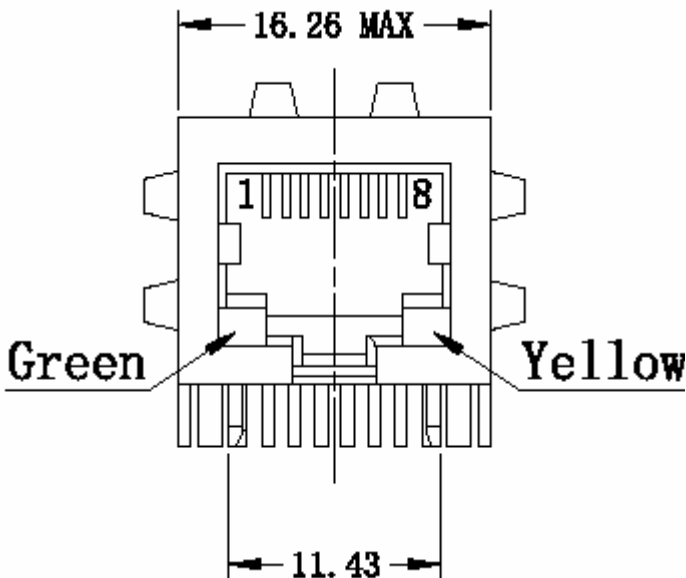


RoHS Compliant

**LED JACK**



PC Board Layout  
 Component Side Shown

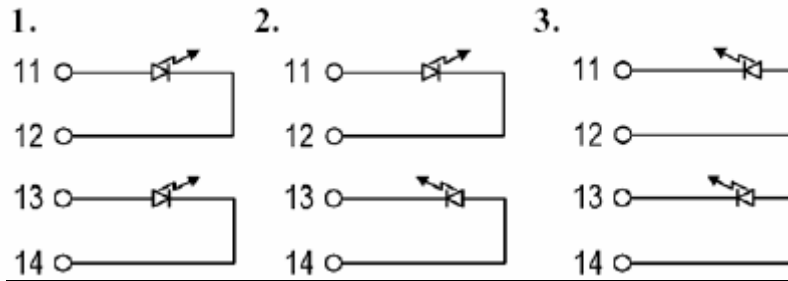


※Unit : m/m , all tolerances are ±0.25



RoHS Compliant

**THROUGH HOLE TAB DOWN RJ-45 JACK WITH  
Gigabit MAGNETIC**

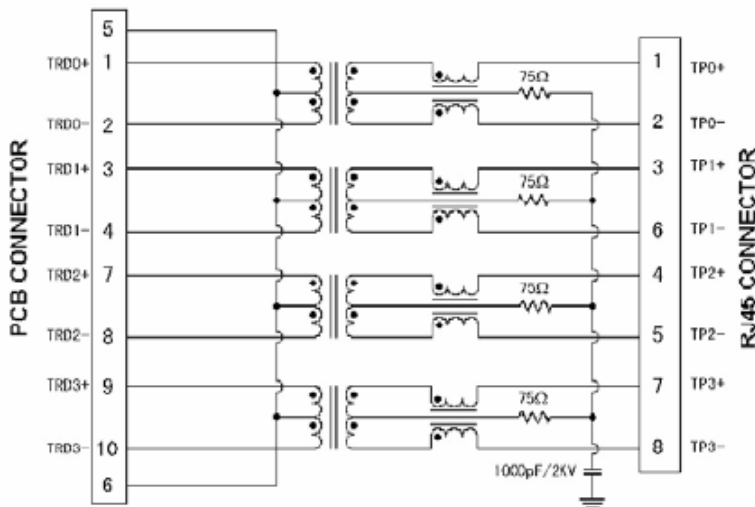


Standard LED	Wavelength	Forward V (Max)
Yellow	585 nm	2.5V
Green	565 nm	2.5V

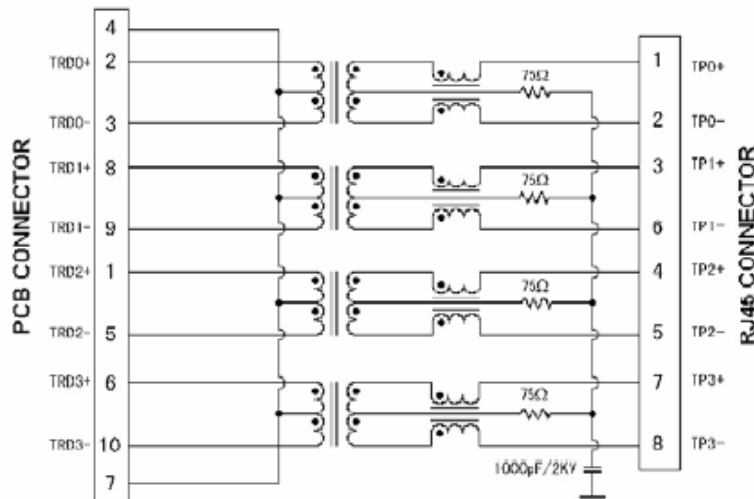
※With a forward current of 20mA

**SCHEMATICS**

**RJ3248F-01**



**RJ3248F-02**



**RJ3248F SERIES ~**

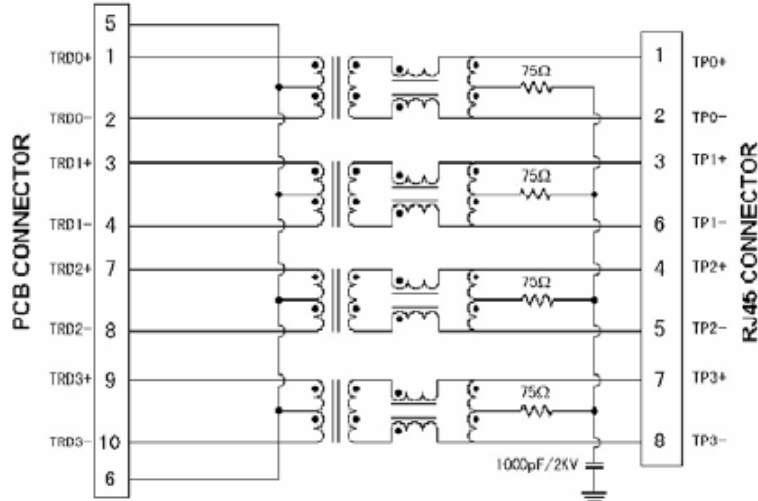
**THROUGH HOLE TAB DOWN RJ-45 JACK WITH Gigabit MAGNETIC**



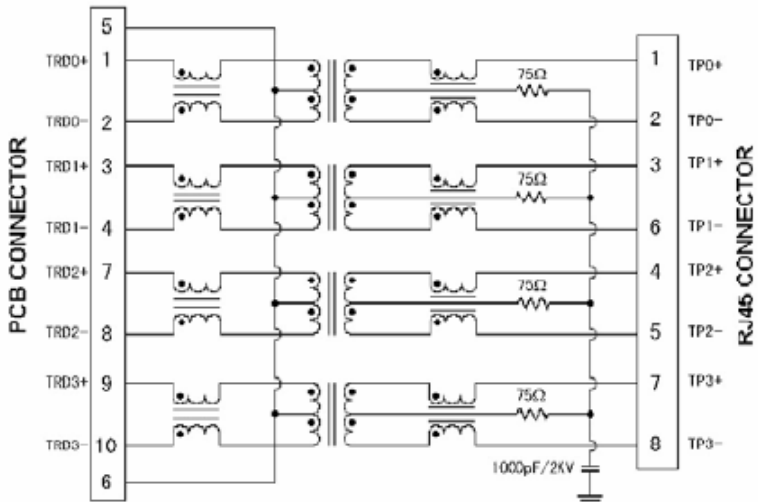
RoHS Compliant

**SCHEMATICS**

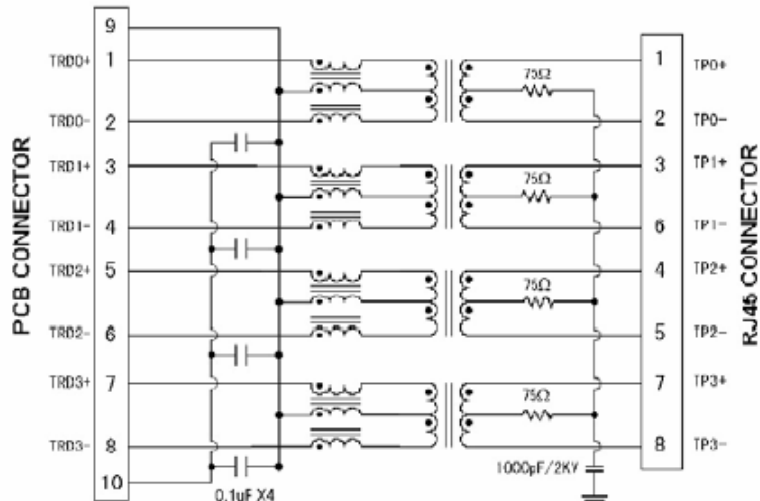
**RJ3248F-03**



**RJ3248F-04**



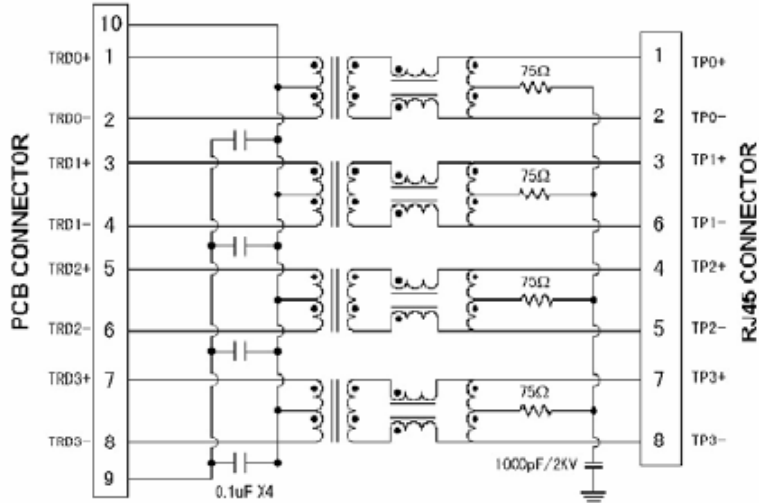
**RJ3248F-07**



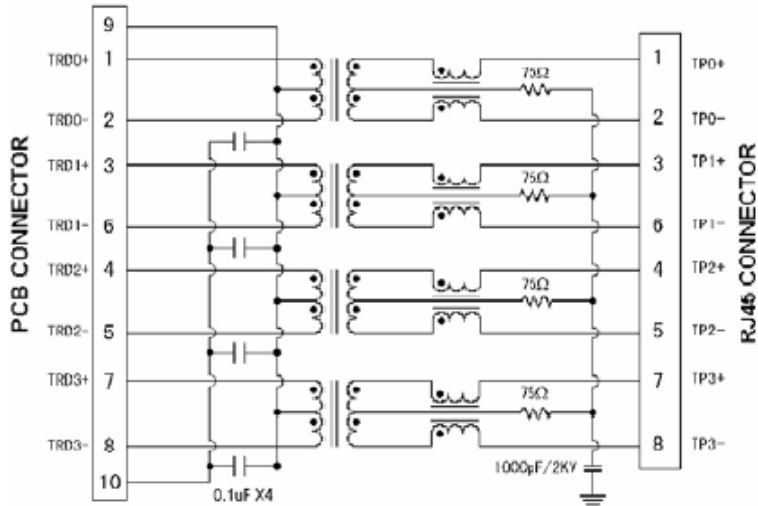
**RJ3248F SERIES ~**

**THROUGH HOLE TAB DOWN RJ-45 JACK WITH  
Gigabit MAGNETIC**

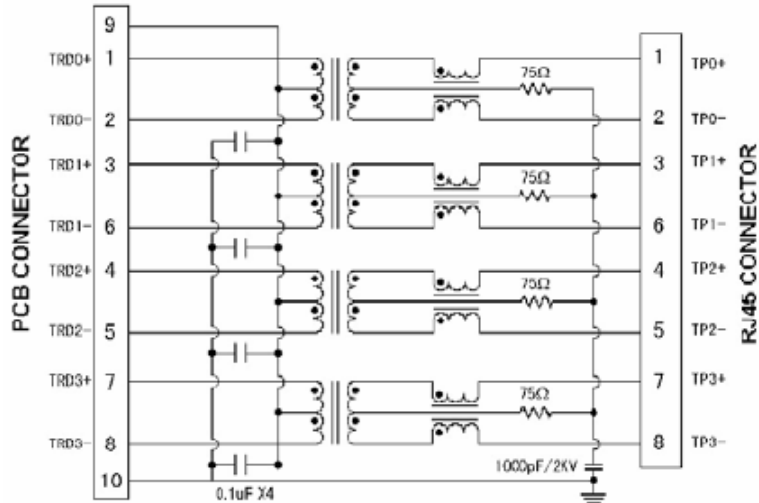
**SCHEMATICS  
RJ3248F-08**



**RJ3248F-09**



**RJ3248F-09A**



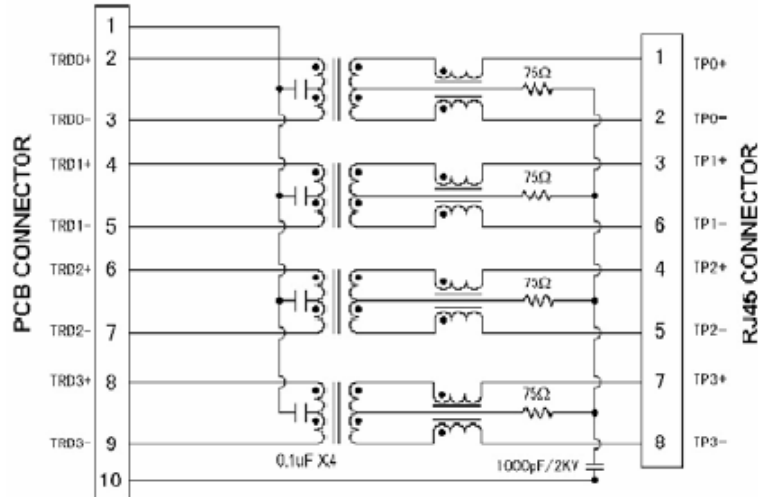
RoHS Compliant

**RJ3248F SERIES ~**

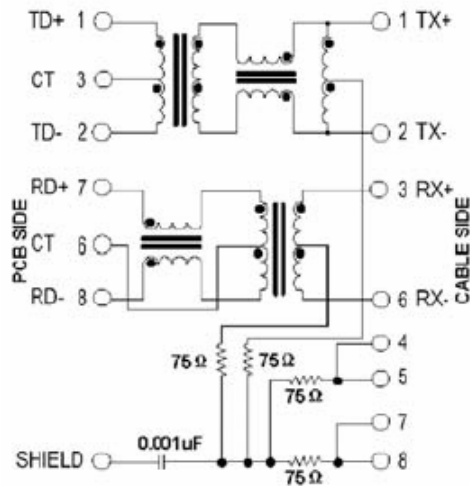
**THROUGH HOLE TAB DOWN RJ-45 JACK WITH  
Gigabit MAGNETIC**

**SCHEMATICS**

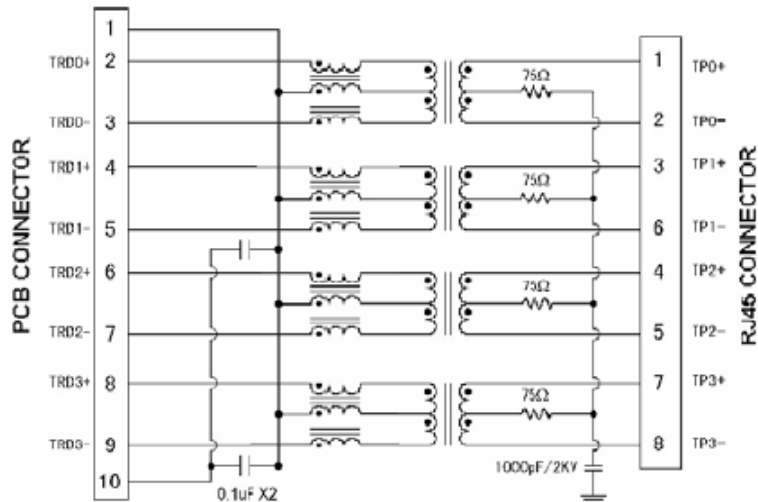
**RJ3248F-10**



**RJ3248F-11**



**RJ3248F-12**



RoHS Compliant



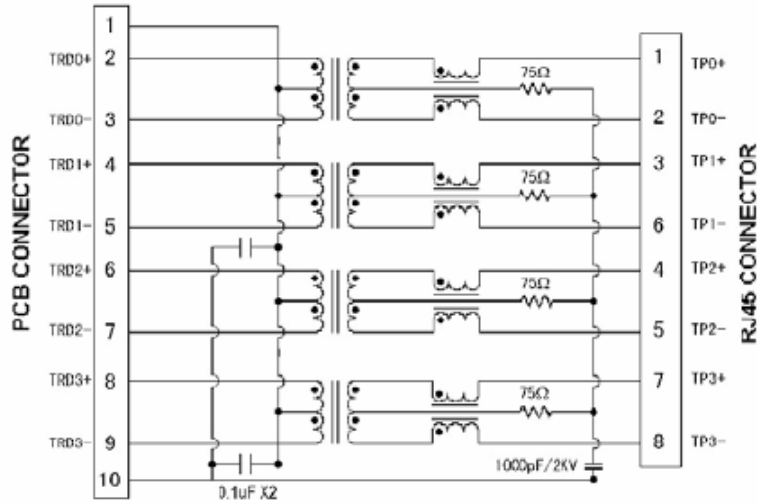


RoHS Compliant

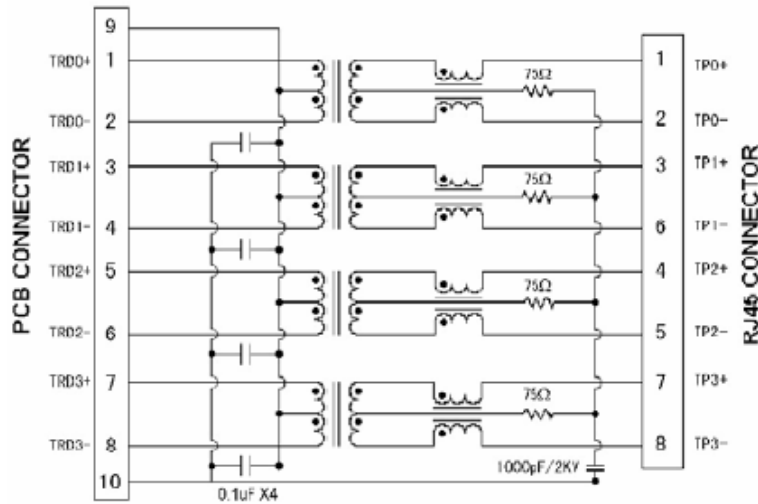
**THROUGH HOLE TAB DOWN RJ-45 JACK WITH  
Gigabit MAGNETIC**

**SCHEMATICS**

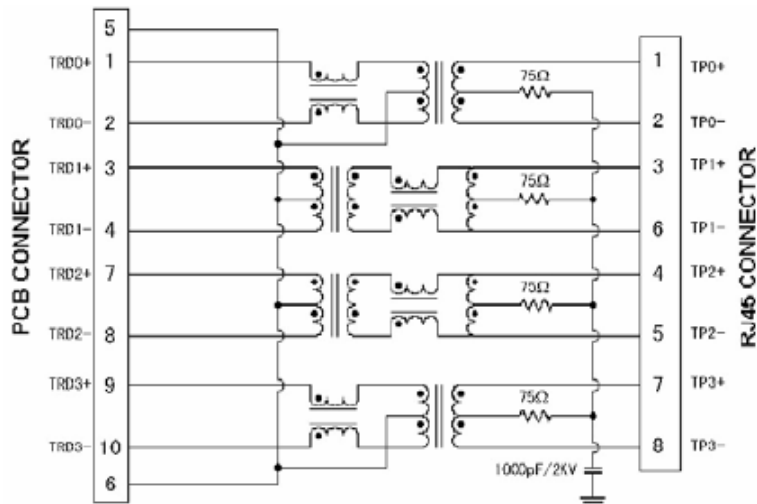
**RJ3248F-13**



**RJ3248F-14**



**RJ3248F-15**





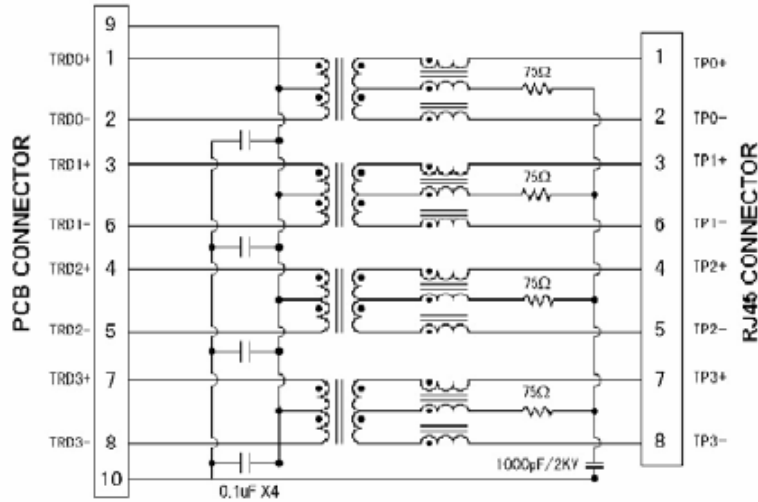


RoHS Compliant

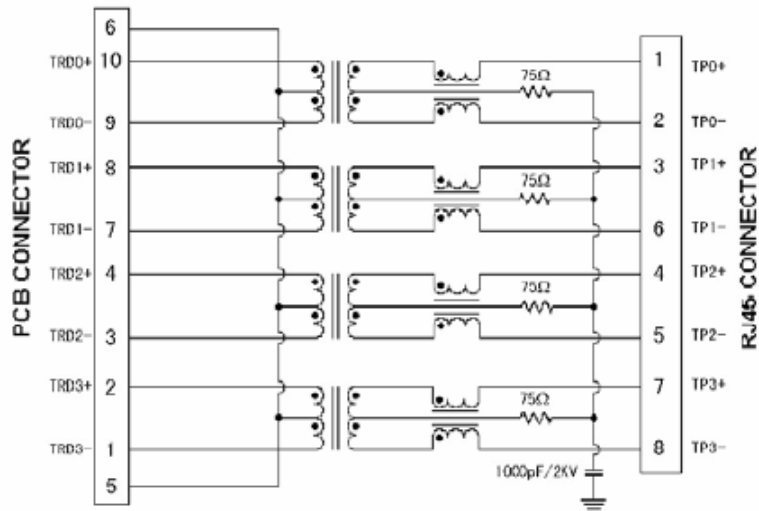
**THROUGH HOLE TAB DOWN RJ-45 JACK WITH  
Gigabit MAGNETIC**

**SCHEMATICS**

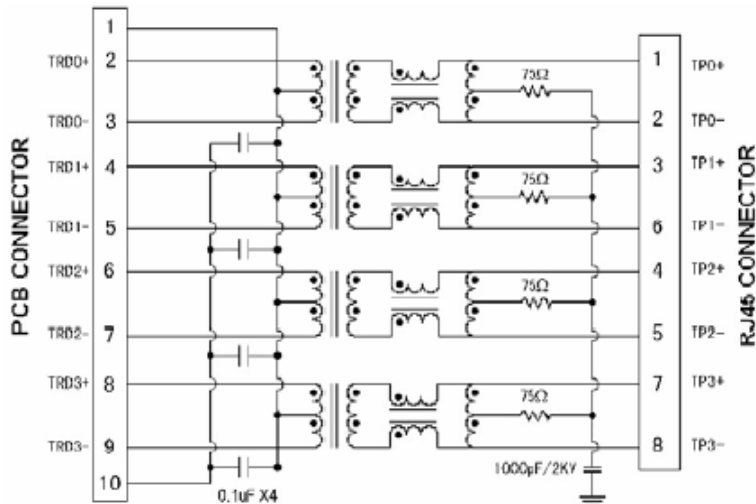
**RJ3248F-16**



**RJ3248F-17**



**RJ3248F-18**

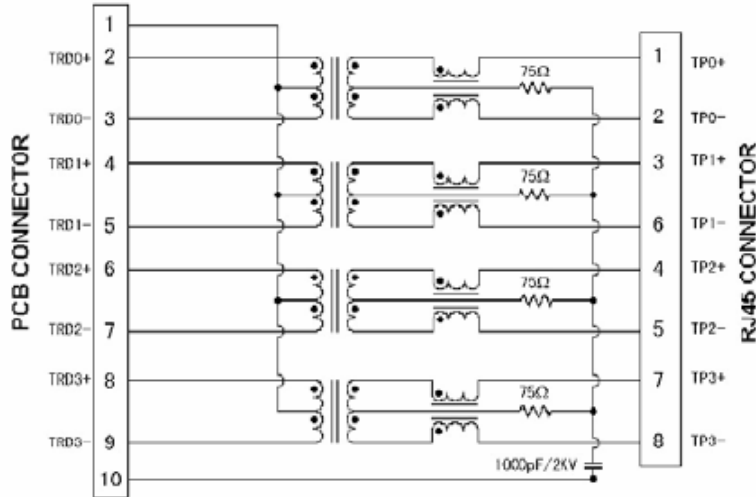


**RJ3248F SERIES ~**

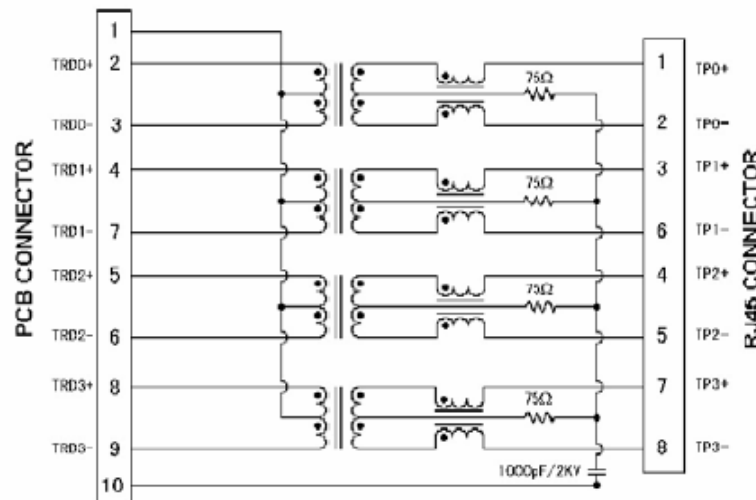
**THROUGH HOLE TAB DOWN RJ-45 JACK WITH  
Gigabit MAGNETIC**

**SCHEMATICS**

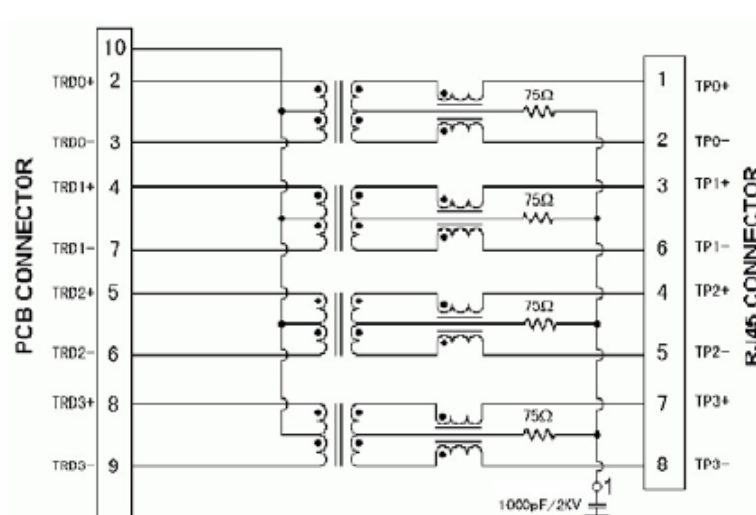
**RJ3248F-19**



**RJ3248F-20**



**RJ3248F-21**



RoHS Compliant

**RJ3248F SERIES ~**

**THROUGH HOLE TAB DOWN RJ-45 JACK WITH  
 GIGABIT MAGNETIC**

**SCHEMATICS**

**RJ3248F-22**



RoHS Compliant

